

参考基板レイアウト (マウント面)
P.C.B. PATTERN LAYOUT (REF.) (MOUNT AREA)

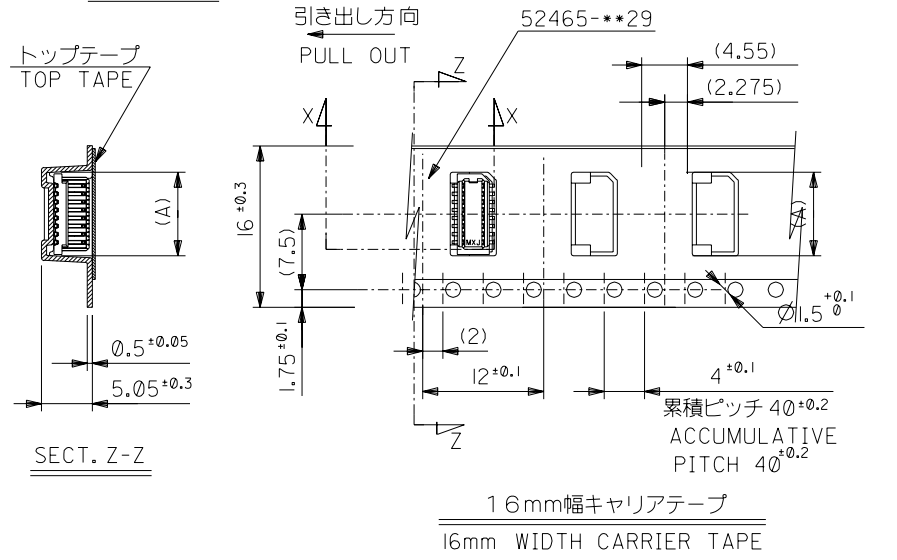
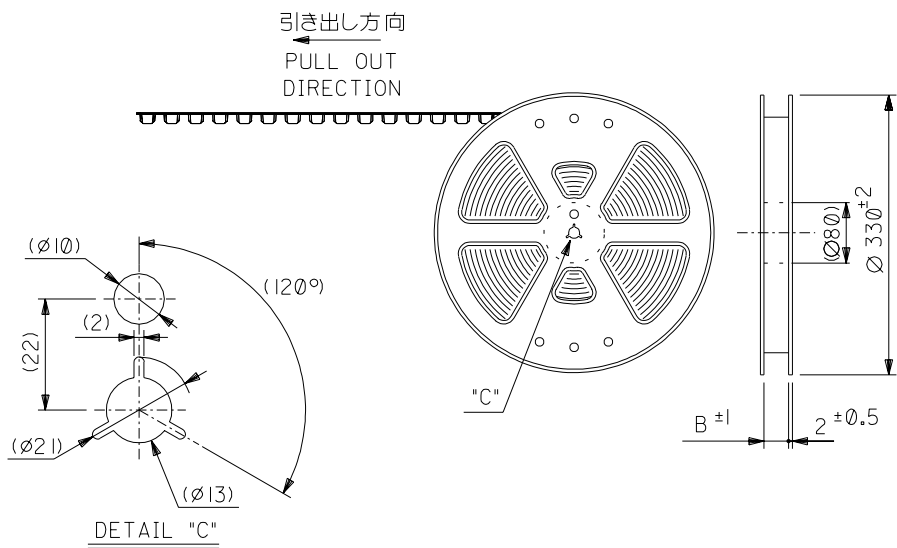
| | | | | | | |
|-----|------|-------|------|-------------------------|--------------|------|
| 0.4 | 17.6 | 16.85 | 15.2 | 52465-4071 | 52465-4029 | 40 |
| 0.8 | 16.8 | 16.05 | 14.4 | 52465-3871 | 52465-3829 | 38 |
| 0.4 | 16.0 | 15.25 | 13.6 | 52465-3671 | 52465-3629 | 36 |
| 0.8 | 15.2 | 14.45 | 12.8 | 52465-3471 | 52465-3429 | 34 |
| 0.4 | 14.4 | 13.65 | 12.0 | 52465-3271 | 52465-3229 | 32 |
| 0.8 | 13.6 | 12.85 | 11.2 | 52465-3071 | 52465-3029 | 30 |
| 0.4 | 12.8 | 12.05 | 10.4 | 52465-2871 | 52465-2829 | 28 |
| 0.8 | 12.0 | 11.25 | 9.6 | 52465-2671 | 52465-2629 | 26 |
| 0.4 | 11.2 | 10.45 | 8.8 | 52465-2471 | 52465-2429 | 24 |
| 0.8 | 10.4 | 9.65 | 8.0 | 52465-2271 | 52465-2229 | 22 |
| 0.4 | 9.6 | 8.85 | 7.2 | 52465-2071 | 52465-2029 | 20 |
| 0.8 | 8.8 | 8.05 | 6.4 | 52465-1871 | 52465-1829 | 18 |
| 0.4 | 8.0 | 7.25 | 5.6 | 52465-1671 | 52465-1629 | 16 |
| 0.8 | 7.2 | 6.45 | 4.8 | 52465-1471 | 52465-1429 | 14 |
| 0.4 | 6.4 | 5.65 | 4.0 | 52465-1271 | 52465-1229 | 12 |
| 0.8 | 5.6 | 4.85 | 3.2 | 52465-1071 | 52465-1029 | 10 |
| D | C | B | A | EMBOSSED TAPE ORDER No. | MATERIAL NO. | CKT. |

NOTES

1. 嵌合相手：53307, 53309 シリーズ
MATES WITH 53307, 53309 SERIES
2. ハウジングの C から隣接するターミナルの C 迄の位置を示す。
SHOW POSITION FROM C OF HOUSING TO C OF ADJACENT TERMINALS.
3. 一對の基板の嵌合に於いて、本製品を2個以上使用することは推奨できません。
MXJ DOSE NOT RECOMMEND THE USAGE OF TWO OR MORE OF THESE CONNECTORS BETWEEN A SINGLE PAIR OF P. C. BOARD.
4. 本製品は 52465-**27 の鉛フリー品である。
THIS PRODUCT IS LEAD FREE OF 52465-**27.
5. ELV及びRoHS適合品
ELV AND RoHS COMPLIANT

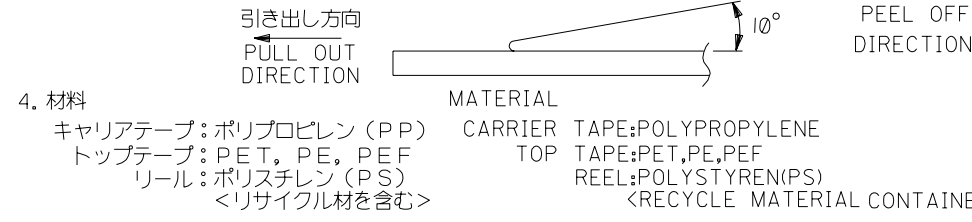
| | | | | | | | | | | | |
|--|-------------|---------------------------------------|-------|----------------------------|--|------------------------------|--|--|--|---|--|
| REVISED EC NO: J2010-0755 DRWN: TAKAGAWA01 2008/12/17 CHKD: SMARUYAMA 2010/03/24 APPR: MSASAO 2010/03/25 | DESCRIPTION | GENERAL TOLERANCES (UNLESS SPECIFIED) | | DIMENSION STYLE MM ONLY | | SCALE 10:1 | | DESIGN UNITS METRIC | | THIRD ANGLE PROJECTION | |
| | | 10 UNDER | ±0.2 | DRAWN BY Y. SAKIYAMA | | DATE 2004/02/17 | | TITLE 0.8 BOARD TO BOARD CONN. HOUSING ASSY SMT | | | |
| | | 10 OVER 30 UNDER | ±0.25 | CHECKED BY M. SASAO | | DATE 2004/02/17 | | | | | |
| | | 30 OVER | ±0.3 | APPROVED BY M. SASAO | | DATE 2004/02/17 | | MATERIAL NO. | | SHEET NO. | |
| A | REV | ANGULAR ±3 ° | | SEE TABLE | | DOCUMENT NO. SD-52465-028 | | 1 OF 1 | | THIS DRAWING CONTAINS INFORMATION THAT IS PROPRIETARY TO MOLEX INCORPORATED AND SHOULD NOT BE USED WITHOUT WRITTEN PERMISSION | |

DWG. NO. SD-52465-029

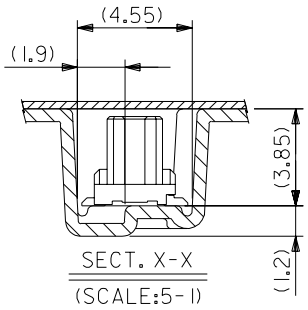


NOTES

- 梱包数量: 1000 個/リール NUMBER OF CONNECTORS: 1000 PCS/REEL
- リードテープ長さ LEAD TAPE LENGTH
 トップテープ リーダー部 TOP TAPE LEADER PART 175 ±25
 トップテープ 未接着部 TOP TAPE NON-BONDED PART 25 ±5
 リーダー部 (空部) LEADER PART (EMPTY) 120 ±20
 部品挿入部 COMPONENT SUPPLIER
 末端部 (空部) TAIL PART (EMPTY) 150 ±40
- トップテープの剥離強度: 0.1 ~ 1.3N (10 ~ 130gf) (剥離方向は下図参照)
 尚、本規格値は、出荷時に適用。(但し、輸送時に剥離が発生しない事。)
 PEELING OFF FORCE OF TOP TAPE: 0.1 ~ 1.3N (10 ~ 130gf)
 (PEELING DIRECTION AS SHOWN IN FOLLOWING FIG.)
 THIS REQUIREMENT SHOULD BE APPLIED AT SHIPMENT
 PEEL OFF SHOULD NOT BE ALLOWED, DURING TRANSPORTATION



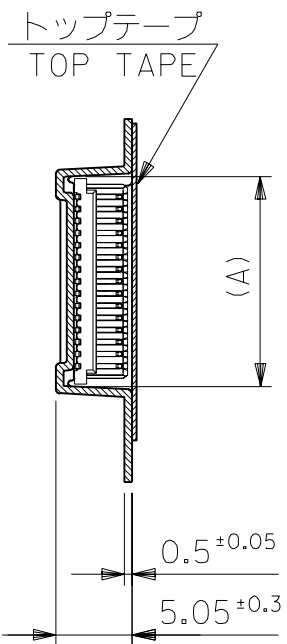
- 材料
 キャリアテープ: ポリプロピレン (PP) CARRIER TAPE: POLYPROPYLENE
 トップテープ: PET, PE, PEF TOP TAPE: PET, PE, PEF
 リール: ポリスチレン (PS) REEL: POLYSTYRENE (PS)
 <リサイクル材を含む> <RECYCLE MATERIAL CONTAINED>
- 本製品は 52465-***91 の鉛フリー品である。
 THIS PRODUCT IS LEAD FREE OF 52465-***91.



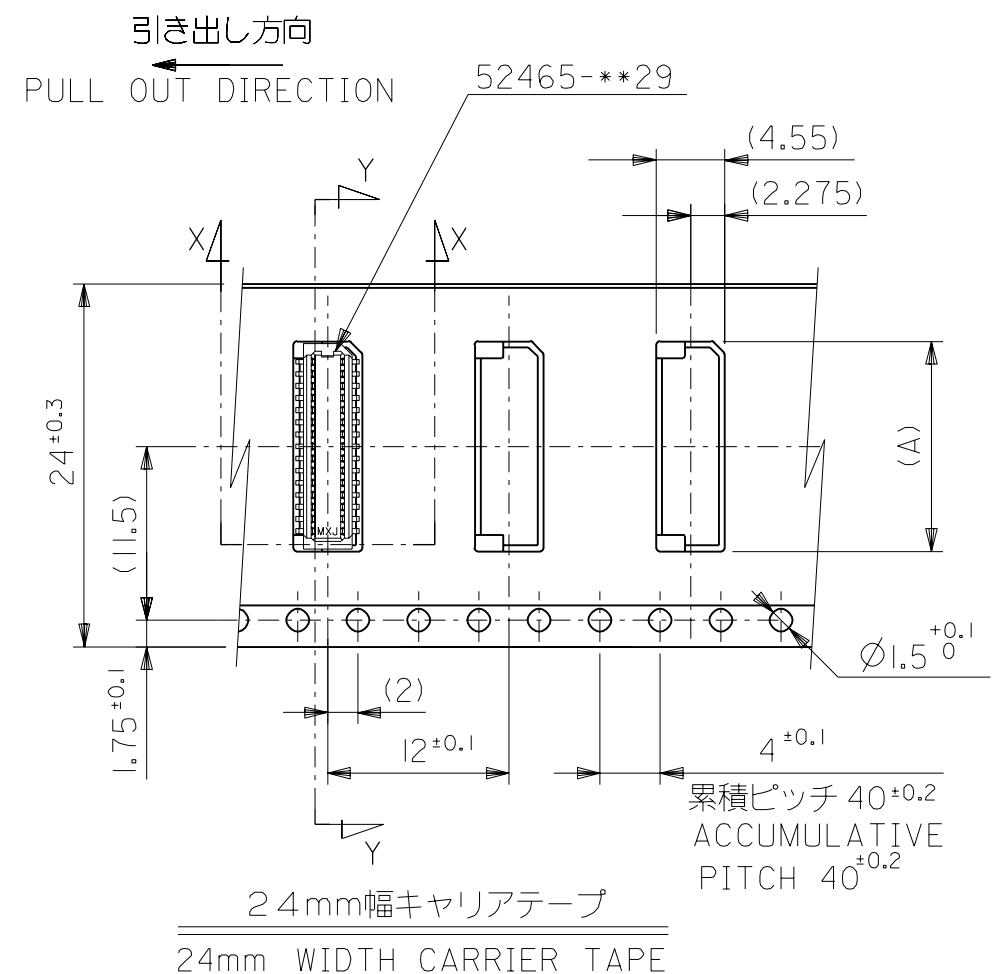
| | | | | |
|--------------------------------|------|-----|--------------|----------|
| 16 | 17.5 | 9.1 | 52465-1871 | 18 |
| | | 8.3 | 52465-1671 | 16 |
| | | 7.5 | 52465-1471 | 14 |
| | | 6.7 | 52465-1271 | 12 |
| | | 5.9 | 52465-1071 | 10 |
| キャリアテープ幅 CARRIER TAPE WIDTH | B | (A) | MATERIAL NO. | CIRCUITS |

| | | | | | | | | | | |
|---|--|--|--|--|--------------------------------------|--|--|--|---------------------------|-----|
| DO NOT SCALE DRAWING | | | | | MODEL NO. 52465-***71 | | DIMENSIONS: | | SHT | REV |
| GENERAL TOLERANCES: (UNLESS SPECIFIED) 一般公差 | | | | | SCALE | | DESIGN UNITS | | THIRD ANGLE PROJECTION | |
| MATERIAL 材料 SEE NOTES | | | | | DRAWN BY & DATE Y.SAKIYAMA '04/02/17 | | TITLE: 0.8 B-To-B Hsg Assy SMT Embstp Pkg -LEAD FREE- | | MATERIAL NO. SD-52465-029 | |
| FINISH 仕上げ // | | | | | CHECKED BY & DATE M.SASAO '04/02/17 | | APPROVED BY & DATE M.SASAO '04/02/17 | | DRAWING NO. SD-52465-029 | |
| WIRE RANGE 適用電線範囲 // | | | | | CAD FILENAME SD-52465-029.S01 | | MATERIAL NO. SEE CHART | | SHEET NO. 1 OF 2 | |
| INS. RANGE 被覆外径 // | | | | | ANGLE 角度 ±3° | | THIS DRAWING CONTAINS INFORMATION THAT IS PROPRIETARY TO MOLEX INCORPORATED AND SHOULD NOT BE USED WITHOUT WRITTEN PERMISSION. | | SIZE B | |

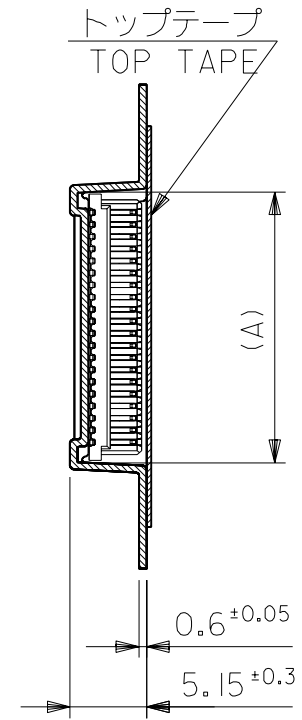
DWG. NO.
SD-52465-029



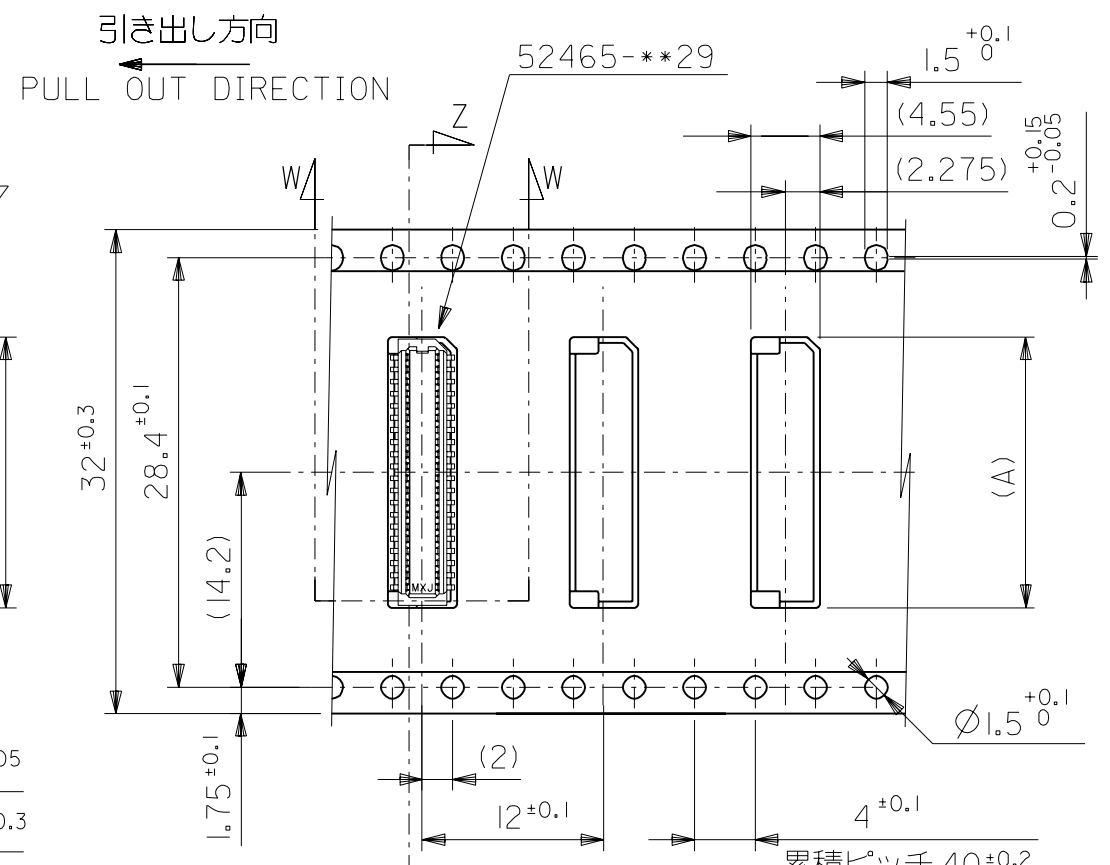
SECT. Y-Y



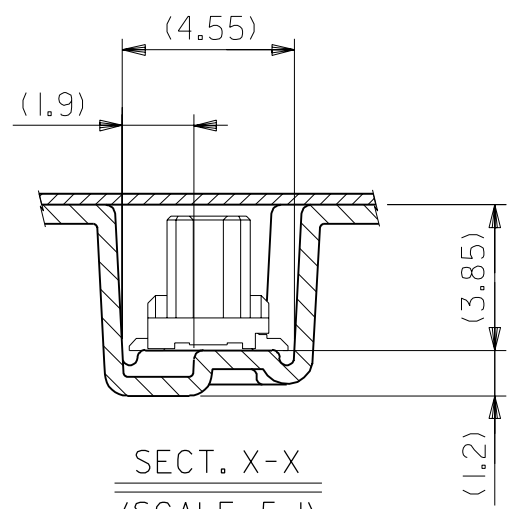
24mm幅キャリアテープ
24mm WIDTH CARRIER TAPE



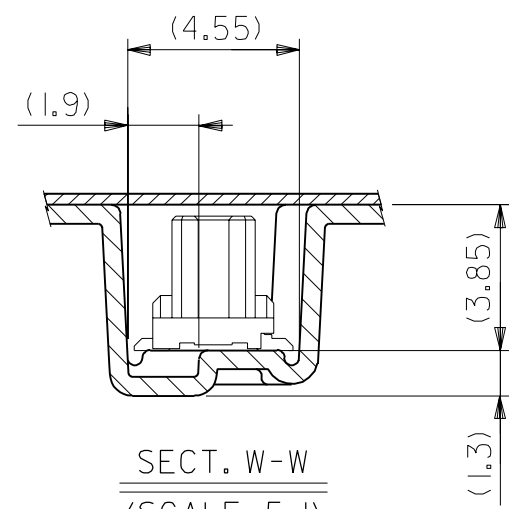
SECT. Z-Z



32mm幅キャリアテープ
32mm WIDTH CARRIER TAPE



SECT. X-X
(SCALE; 5:1)



SECT. W-W
(SCALE; 5:1)

| | | | | | |
|--------------------------------|------|------------|------|--------------|----------|
| 24 | 32 | 33.5 | 17.9 | 52465-4071 | 40 |
| | | | 17.1 | 52465-3871 | 38 |
| | | | 16.3 | 52465-3671 | 36 |
| | | | 15.5 | 52465-3471 | 34 |
| | | | 14.7 | 52465-3271 | 32 |
| | | | 13.9 | 52465-3071 | 30 |
| | | | 13.1 | 52465-2871 | 28 |
| | | | 12.3 | 52465-2671 | 26 |
| | | | 11.5 | 52465-2471 | 24 |
| | 10.7 | 52465-2271 | 22 | | |
| | 9.9 | 52465-2071 | 20 | | |
| キャリアテープ幅 CARRIER TAPE WIDTH | | B | (A) | MATERIAL NO. | CIRCUITS |

| | | | | | |
|--|----------------------|------------------------------|---|--|------------------------|
| MODEL NO. | 52465-***71 | DIMENSIONS: | | SHT | REV |
| SCALE | --- | DESIGN UNITS | <input type="checkbox"/> mm <input type="checkbox"/> INCH | <input type="checkbox"/> mm <input checked="" type="checkbox"/> INCH | THIRD ANGLE PROJECTION |
| GENERAL TOLERANCES: (UNLESS SPECIFIED) 一般公差 | 10 UNDER 未満 ±0.2 | 10 OVER 以上 30 UNDER 未満 ±0.25 | 30 OVER 以上 ±0.3 | ANGLE 角度 ±3° | |
| MATERIAL 材料 | SEE SHEET 1 OF 2 | | | | |
| FINISH 仕上げ | --- | | | | |
| WIRE RANGE 適用電線範囲 | --- | | | | |
| INS. RANGE 被覆外径 | --- | | | | |
| RELEASED '04/02/17 | EC NO. J2004-2482 | DRWN: Y.SAKIYAMA | CH'K: M.SASAO | APPR: M.SASAO | |
| REV | 0 | | | | |
| DRAWN BY & DATE | Y.SAKIYAMA '04/02/17 | | TITLE: 0.8 B-To-B Hsg Assy SMT Embstp Pkg -LEAD FREE- | | |
| CHECKED BY & DATE | M.SASAO '04/02/17 | | MOLEX INCORPORATED | | |
| APPROVED BY & DATE | M.SASAO '04/02/17 | | MATERIAL NO. | DRAWING NO. | SHEET NO. |
| CAD FILENAME | SD-52465-029.S02 | SEE CHART | SD-52465-029 | 2 OF 2 | |
| THIS DRAWING CONTAINS INFORMATION THAT IS PROPRIETARY TO MOLEX INCORPORATED AND SHOULD NOT BE USED WITHOUT WRITTEN PERMISSION. | | | | | SIZE B |

DO NOT SCALE DRAWING