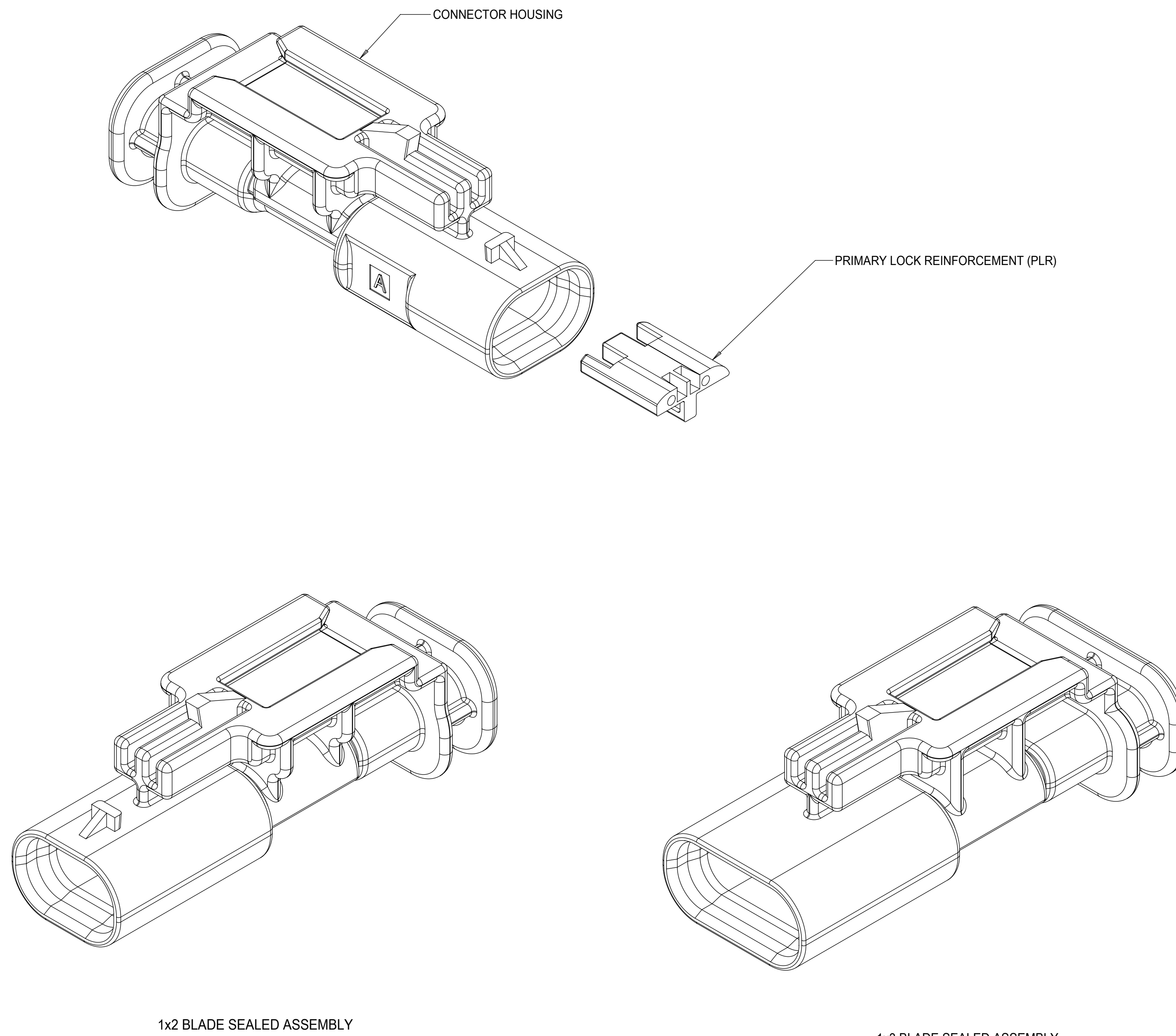


TABLE OF CONTENTS

SHEET NO.	SHEET DESCRIPTION
1	NOTES
2	1x2 BLADE SEALED ASSEMBLY KEYING CONFIGURATIONS
3	1x3 BLADE SEALED ASSEMBLY KEYING CONFIGURATIONS
4	CLIP-SLOT CONFIGURATIONS
5	BLADE SEALED ASSEMBLY
6	CONNECTION SYSTEM PACKAGING
7	WIRE DRESS COVER INTERFACE OPTIONS
8	1x2 BLADE SEALED ASSEMBLY BOM INTERFACE OPTION 1
9	1x2 BLADE SEALED ASSEMBLY BOM INTERFACE OPTION 2
10	1x3 BLADE SEALED ASSEMBLY BOM INTERFACE OPTION 1
11	1x3 BLADE SEALED ASSEMBLY BOM INTERFACE OPTION 2



NOTES: VALID UNLESS OTHERWISE SPECIFIED

- GENERAL:
 - APPLICATION SPECIFICATION SEE: AS-34900-0001
CONTAINS: PRODUCT INTRODUCTION, PRODUCT SUMMARY, CONNECTOR ASSEMBLY, PACKAGING INFORMATION, CONNECTOR MATING, SERVICE INSTRUCTIONS, ELECTRICAL CONTINUITY CHECKING, CRIMPING, AND TROUBLESHOOTING.
 - PRODUCT SPECIFICATION SEE: PS-34900-0001
CONTAINS: PRODUCT INTRODUCTION, PRODUCT SUMMARY, RATINGS (CURRENT, TEMPERATURE, SEALING, AND FLAMMABILITY), AND PRODUCT VALIDATION.
 - PACKAGING SPECIFICATION PER MOLEX DRAWING: PK-31301-898
 - PARTS MUST BE IN COMPLIANCE TO MOLEX CHEMICAL SUBSTANCES FOR PRODUCTS AND PACKAGING SPECIFICATION: ES-40000-5016
 - DATA MUST BE SUBMITTED UNDER THE MOLEX PART NUMBER TO IMDS (COMPANY ID#13255)
- DESIGN - MATERIALS:
 - SEE BOM TABLE
- DESIGN - GEOMETRY:
 - THIS IS A 100% CAD GENERATED PART. THE CAD MATHEMATICAL DATA IS THE MASTER FOR THIS PART. FOR DIMENSIONAL OR ANY INFORMATION NOT SHOWN ON THIS DRAWING, ANALYZE THE CAD MODEL.
 - GEOMETRIC DIMENSIONS AND TOLERANCES PER ASME Y14.5M - 1994
 - EDGES AND UNDIMENSIONED DETAILS PER ISO13715
 - CORNERS SHOWN AS SHARP TO BE R 0.2 MAX.
 - LETTERING SHALL BE 0.15 MAX RAISED IN 0.25 MAX RECESS PAD. THIS INCLUDES RECYCLING CODE, CAVITY ID, VENDOR IDENTIFICATION.
 - VISUAL DEFECTS SHALL MEET COSMETIC STANDARD PS-45499-002 (Class B)
 - LASER MARKING:
 - PART NUMBER
 - DAY OF THE YEAR
 - SHIFT
 - YEAR

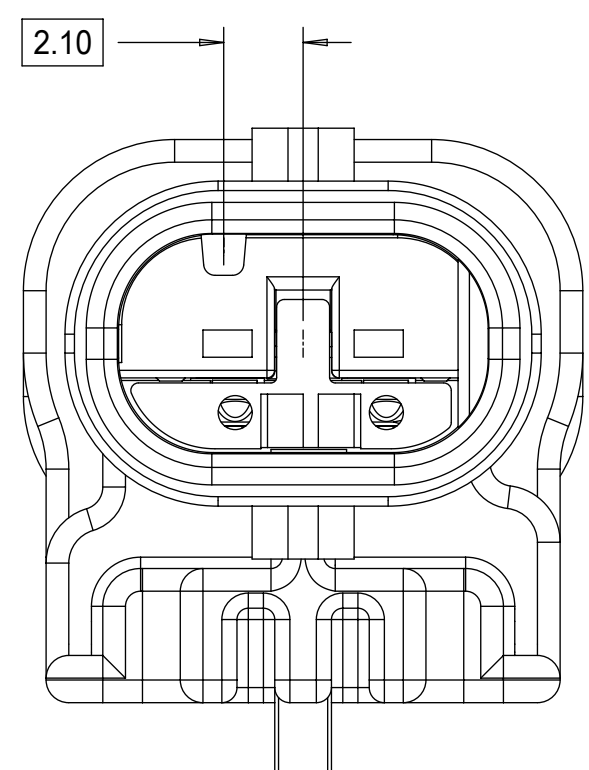
INSPECTION NUMBER LOG
LAST NUMBER USED:
ADDED:
REMOVED:

A15	- NX-REMASTERING FROM MODEL MANAGER - 1x2 KEY C MOVED TO SALEABLE - 1X3 WDC INTERFACE 2 PART NUMBERS UPDATED TO MATCH E-DRAWING
A14	CORRECTED CHARTED DIMENSION 3 FOR 1X3 11MM CLIPSLOT
A13	1x3 KEY A&B SALEABLE (NON 40G)
A12	1X2 KEYS A&B W/ WDC SALEABLE
A11	CORRECTED REVISION LOG
A10	1X2,1X3 WIRE DRESS FEATURES OK TO TOOL
A9	1X2,1X3 PART # STATUS UPDATED
A8	1X2 40G CLIP-SLOT OK TO TOOL
A7	1X2,1X3 PART # UPDATED TO "TOOLED BUT NOT VALIDATED"
A6	ADDED 40G CLIP-SLOT PART NUMBERS
A5	BOM CORRECTIONS AND UPDATES
A4	BOM CORRECTIONS AND UPDATES
A3	1x2, 1x3 NON-SIR PART# OK TO TOOL
A2	ADDED 1x3 11mm CLIP-SLOT PART #
A	ADDED BLACK PART# AND MINOR BOM UPDATES
6	ADDED CLIP SLOT CONFIGURATIONS
5	1X3 BOM UPDATED
4	1X3 INLINE ASSY VIEWS ADDED
3	MINOR BOM CORRECTIONS
2	UPDATED PACKAGING DIMENSIONS
1	INITIAL RELEASE
REV	DESCRIPTION

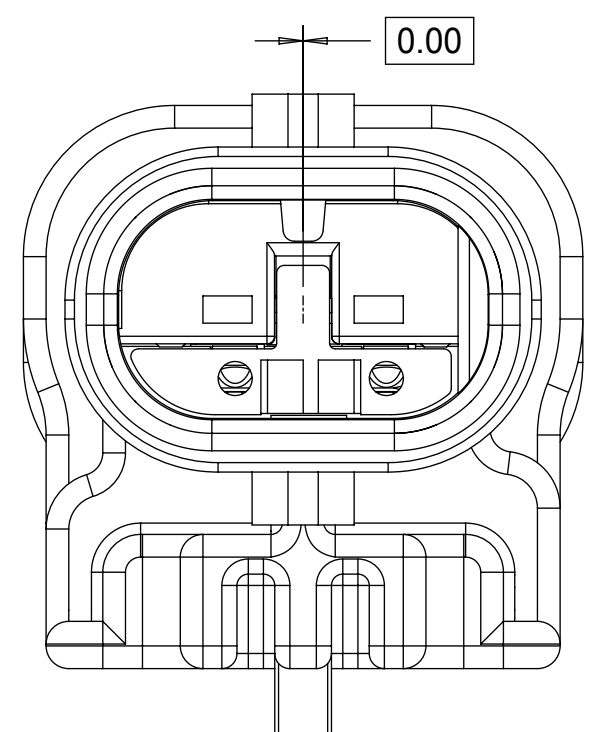
QUALITY SYMBOLS	THIS DRAWING CONTAINS INFORMATION THAT IS PROPRIETARY TO MOLEX ELECTRONIC TECHNOLOGIES, LLC AND SHOULD NOT BE USED WITHOUT WRITTEN PERMISSION		GENERAL TOLERANCES (UNLESS SPECIFIED)		DIMENSION UNITS	SCALE
∇ = 0	2017/04/11	2017/06/22	MM	4:1	MM	4:1
∇ = 0			ANGULAR TOL \pm 3.0 °		DRWN BY	DATE
∇ = 0			4 PLACES \pm		SKRAJENDRANA	2013/11/06
∇ = 0			3 PLACES \pm		CHKD BY	DATE
∇ = 0			2 PLACES \pm 0.1		APPR BY	DATE
∇ = 0			1 PLACE \pm 0.2		DRAWING SIZE	THIRD ANGLE PROJECTION
∇ = 0			0 PLACES \pm 0.5		D	
∇ = 0			DRAFT WHERE APPLICABLE MUST REMAIN WITHIN DIMENSIONS			
∇ = 0						

molex®		
1.2MM 1X2, 1X3 BLADE SEALED ASSEMBLY CABLE SEAL		
PRODUCT CUSTOMER DRAWING		
SERIES	MATERIAL NUMBER	CUSTOMER
34899	SEE BOM	GENERAL MARKET
DOCUMENT NUMBER	DOC TYPE	DOC PART SHEET NUMBER
SD-34899-2001	PSD	001 1 OF 11

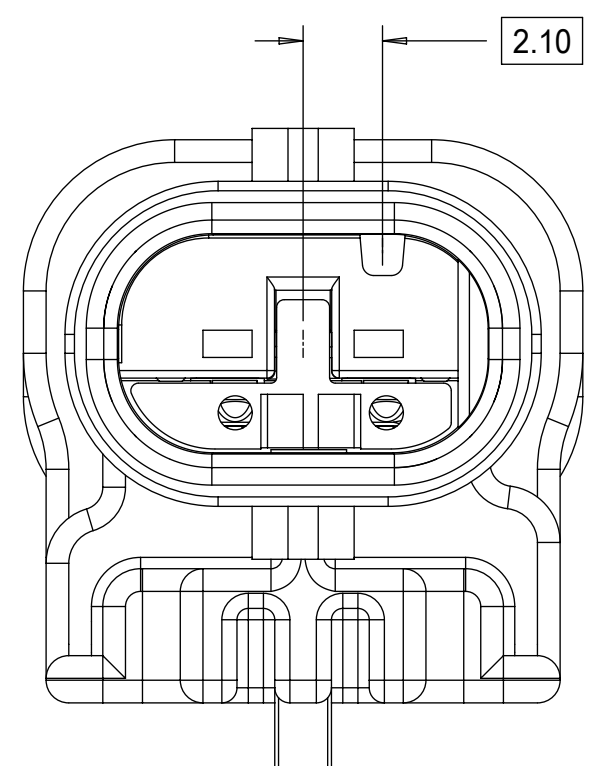
1x2 BLADE SEALED ASSEMBLY KEYING CONFIGURATIONS. FOR PART NUMBERS REFER TO BOM SHEET.



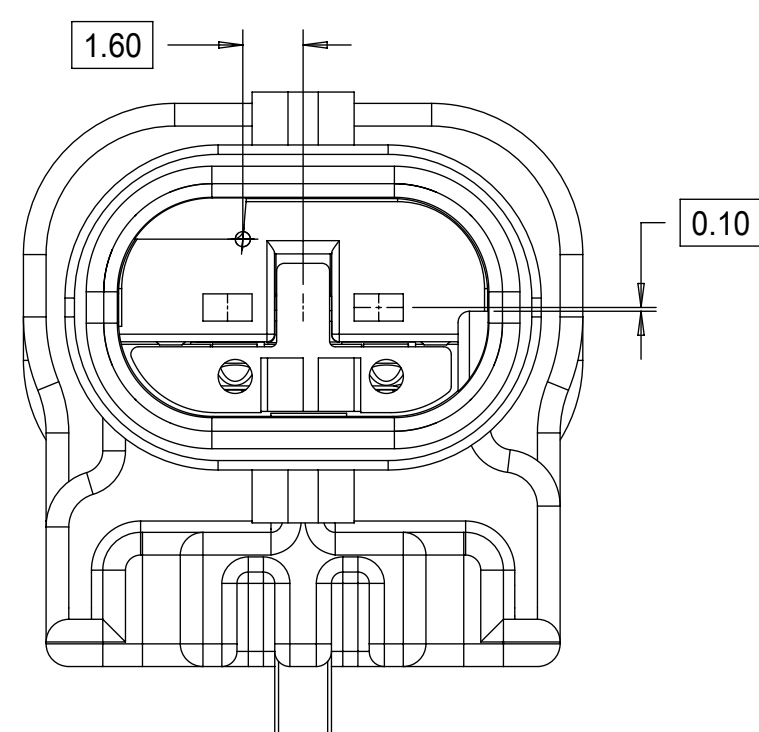
KEYING OPTION A



KEYING OPTION B



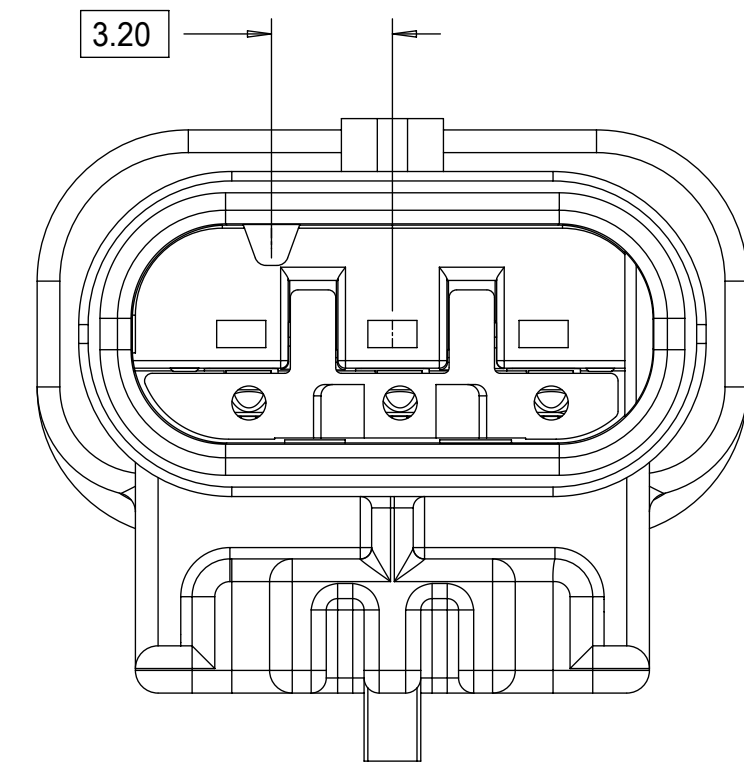
KEYING OPTION C



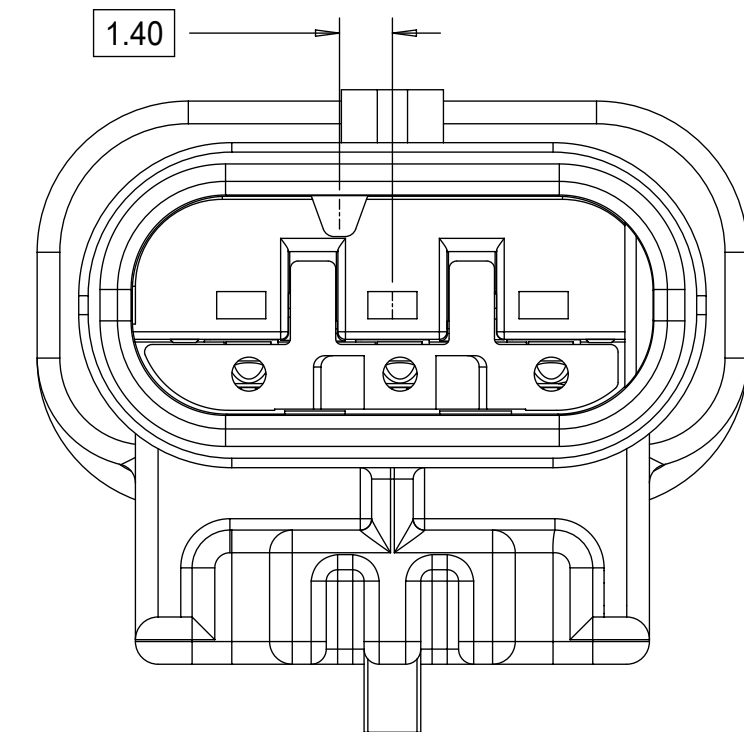
KEYING OPTION E

QUALITY SYMBOLS □ = 0 ▽ = 0 ▽ = 0 ▽ = 0 ▽ = 0 ▽ = 0 ▽ = 0 ▽ = 0 ▽ = 0 ▽ = 0 ▽ = 0	THIS DRAWING CONTAINS INFORMATION THAT IS PROPRIETARY TO MOLEX ELECTRONIC TECHNOLOGIES, LLC AND SHOULD NOT BE USED WITHOUT WRITTEN PERMISSION											
	EC NO: 117908	DRWN: VYARAPPA	CHKD: KDEKOSKI	REV: APPR: KDEKOSKI	2017/04/11	2017/06/22	GENERAL TOLERANCES (UNLESS SPECIFIED)		DIMENSION UNITS	SCALE		
	ANGULAR TOL ± 3.0 °						MM	5:1	DRWN BY	DATE		
	4 PLACES ±						SKRAJENDRANA	2013/11/06	CHKD BY	DATE		
	3 PLACES ±						APPR BY		DATE	PRODUCT CUSTOMER DRAWING		
	2 PLACES ± 0.1						DRAWING SIZE		THIRD ANGLE PROJECTION	SERIES	MATERIAL NUMBER	CUSTOMER
	1 PLACE ± 0.2						D	THIRD ANGLE PROJECTION	34899	SEE BOM	GENERAL MARKET	
	0 PLACES ± 0.5						DRAFT WHERE APPLICABLE MUST REMAIN WITHIN DIMENSIONS		DOCUMENT NUMBER	DOC TYPE	DOC PART	SHEET NUMBER
	DRAFT WHERE APPLICABLE MUST REMAIN WITHIN DIMENSIONS						D		SD-34899-2001	PSD	001	2 OF 11
	DRAFT WHERE APPLICABLE MUST REMAIN WITHIN DIMENSIONS						D					

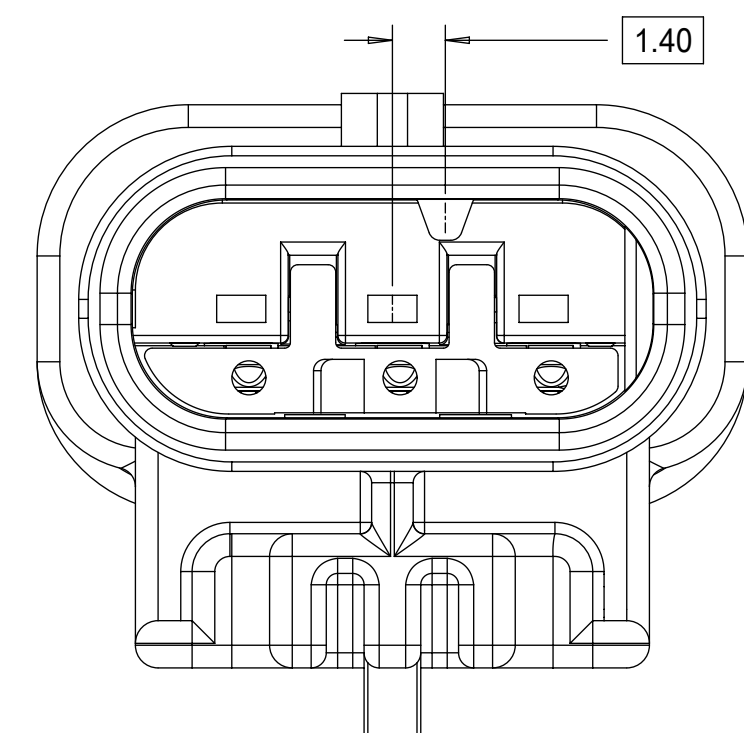
1x3 BLADE SEALED ASSEMBLY KEYING CONFIGURATIONS. FOR PART NUMBERS REFER TO BOM SHEET.



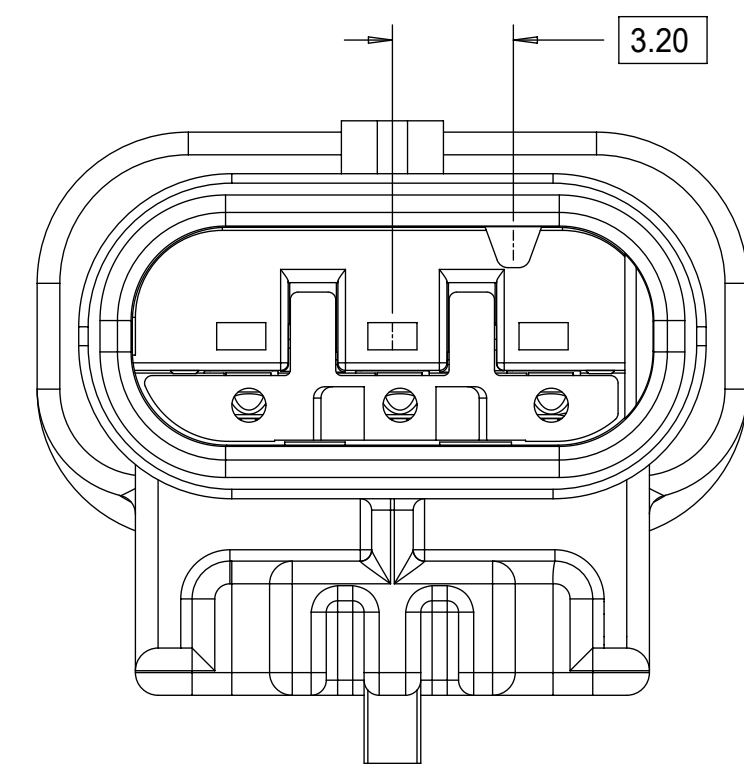
KEYING OPTION A



KEYING OPTION B



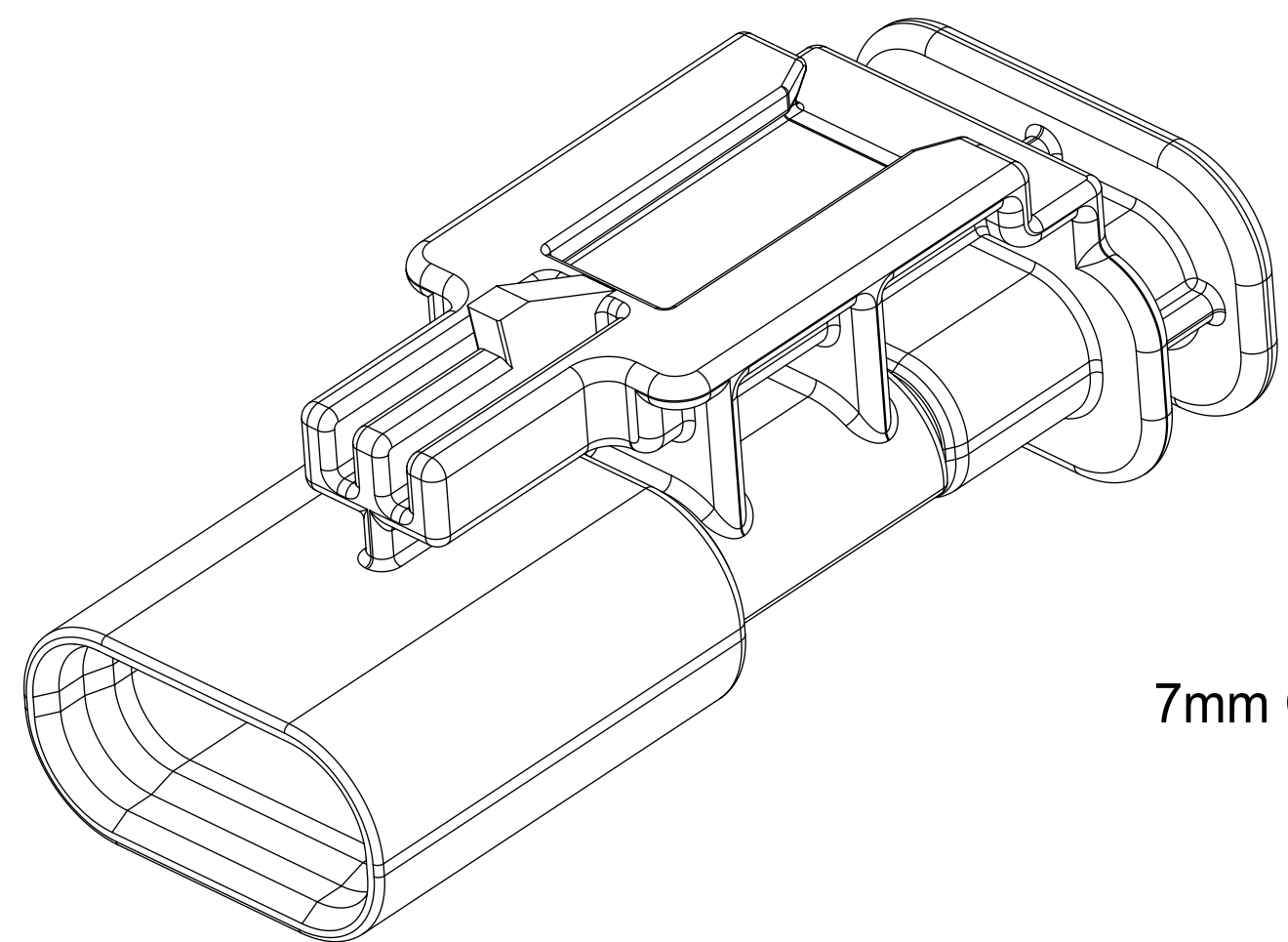
KEYING OPTION C



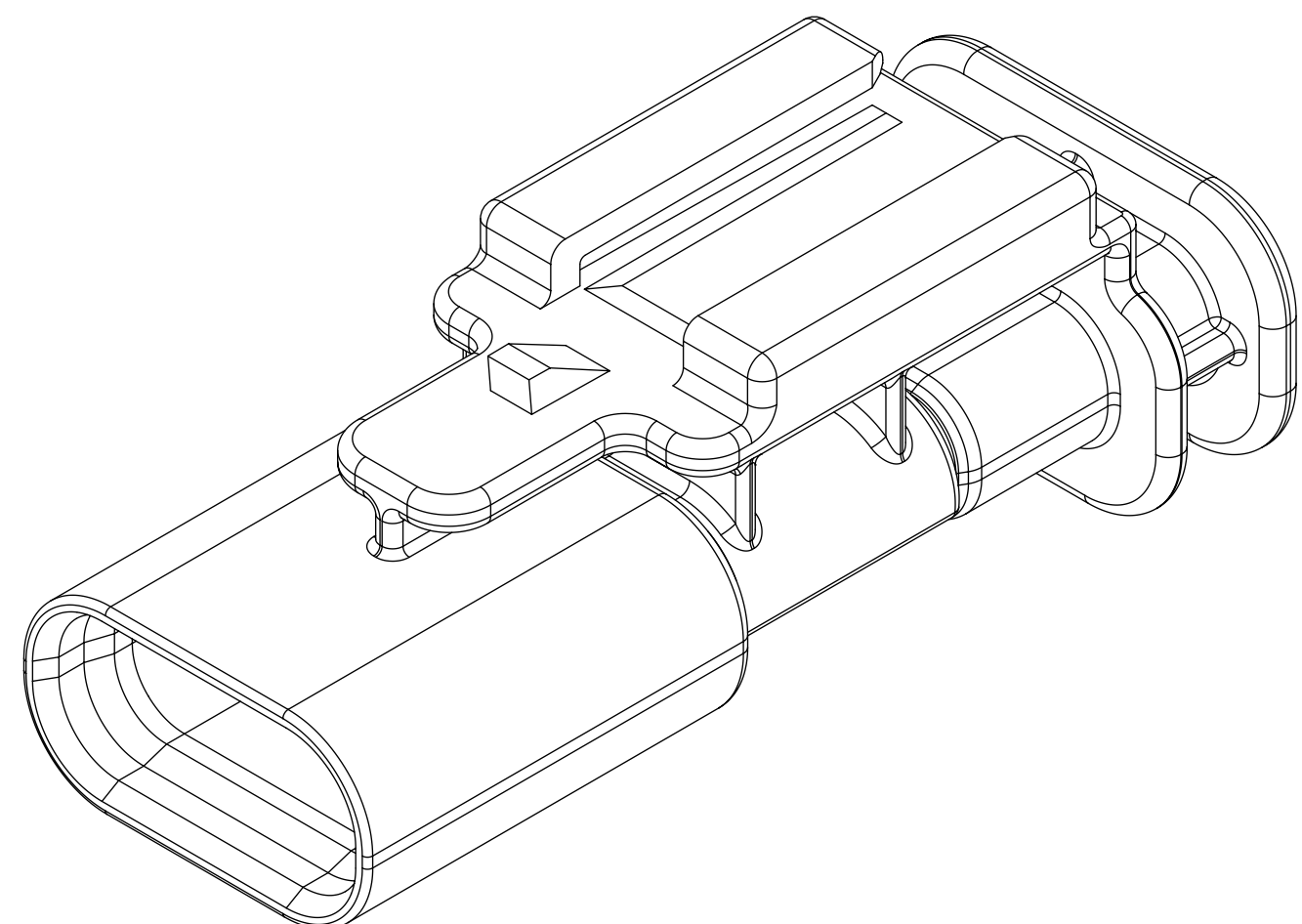
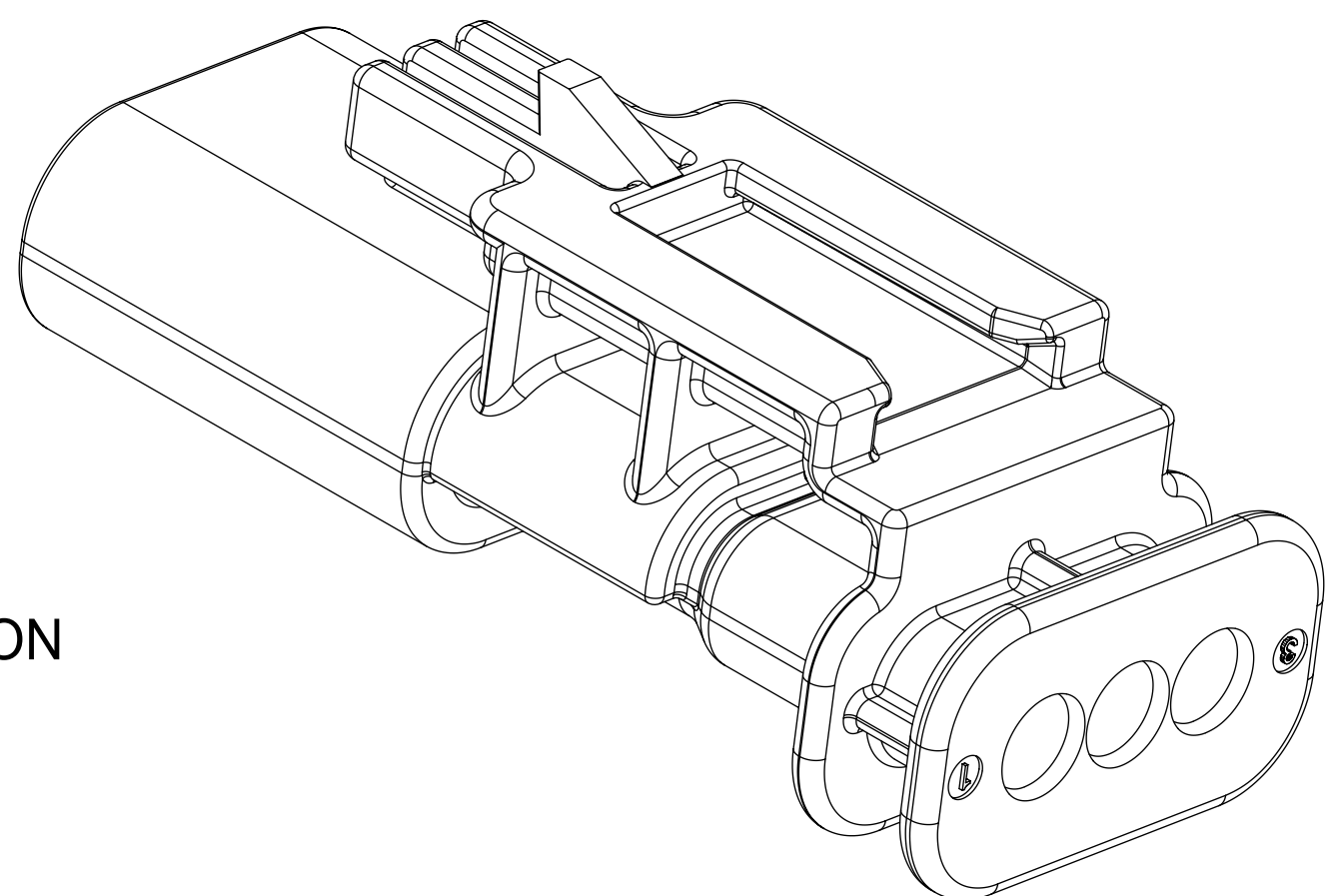
KEYING OPTION D

QUALITY SYMBOLS □ = 0 ▽ = 0 ▽ = 0 ▽ = 0 ▽ = 0 ▽ = 0 ▽ = 0 ▽ = 0 ▽ = 0 ▽ = 0 ▽ = 0	THIS DRAWING CONTAINS INFORMATION THAT IS PROPRIETARY TO MOLEX ELECTRONIC TECHNOLOGIES, LLC AND SHOULD NOT BE USED WITHOUT WRITTEN PERMISSION										
	2017/04/11	2017/06/22	GENERAL TOLERANCES (UNLESS SPECIFIED)		DIMENSION UNITS	SCALE					
					MM	5:1					
	DRWN BY: VYARAPPA	CHKD BY: KDEKOSKI	ANGULAR TOL ± 3.0 °		DRWN BY	DATE	1.2MM 1X2, 1X3 BLADE SEALED ASSEMBLY CABLE SEAL				
					SKRAJENDRANA	2013/11/06					
	EC NO: 117908	REV APPR: KDEKOSKI	4 PLACES ±		CHKD BY	DATE	PRODUCT CUSTOMER DRAWING				
			3 PLACES ±		APPR BY	DATE					
			2 PLACES ± 0.1		DRAWING SIZE	THIRD ANGLE PROJECTION	SERIES	MATERIAL NUMBER	CUSTOMER		
			1 PLACE ± 0.2		D	⊕	34899	SEE BOM	GENERAL MARKET		
			0 PLACES ± 0.5		DOCUMENT NUMBER						
		DRAFT WHERE APPLICABLE MUST REMAIN WITHIN DIMENSIONS		SD-34899-2001		DOC TYPE	DOC PART	SHEET NUMBER			
				PSD		001	3 OF 11				

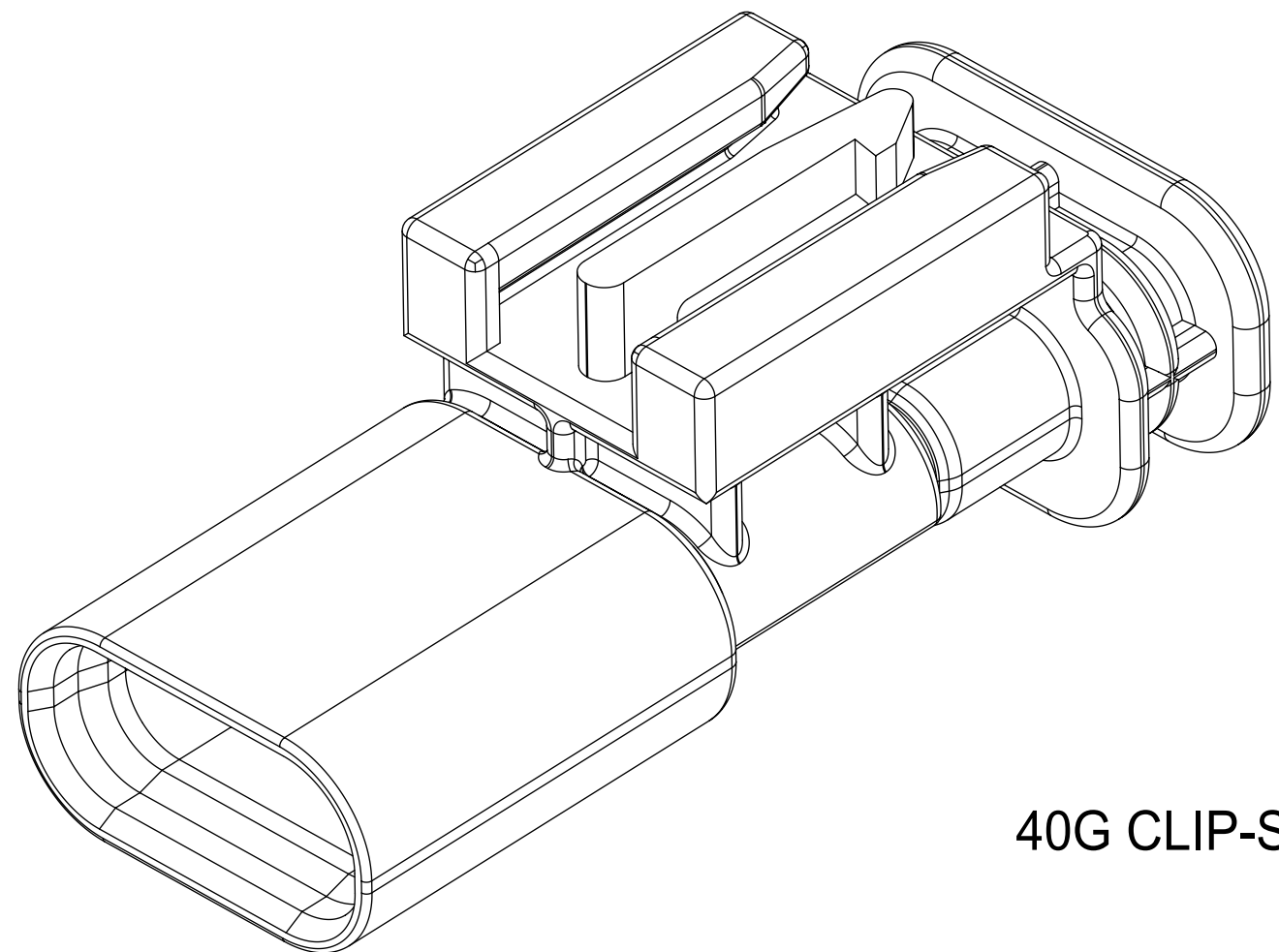
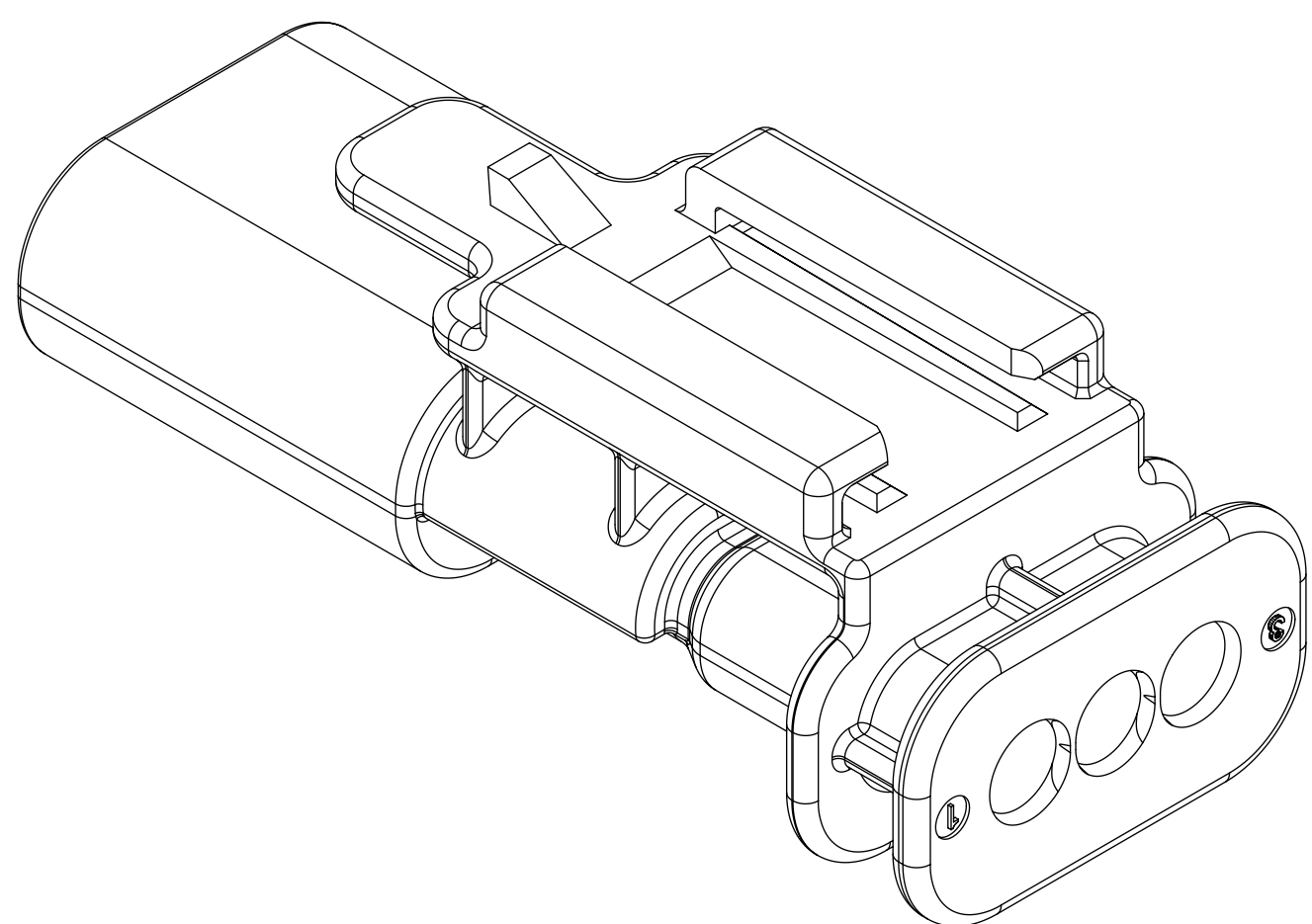
CLIP-SLOT CONFIGURATIONS. FOR PART NUMBERS REFER TO BOM SHEET.



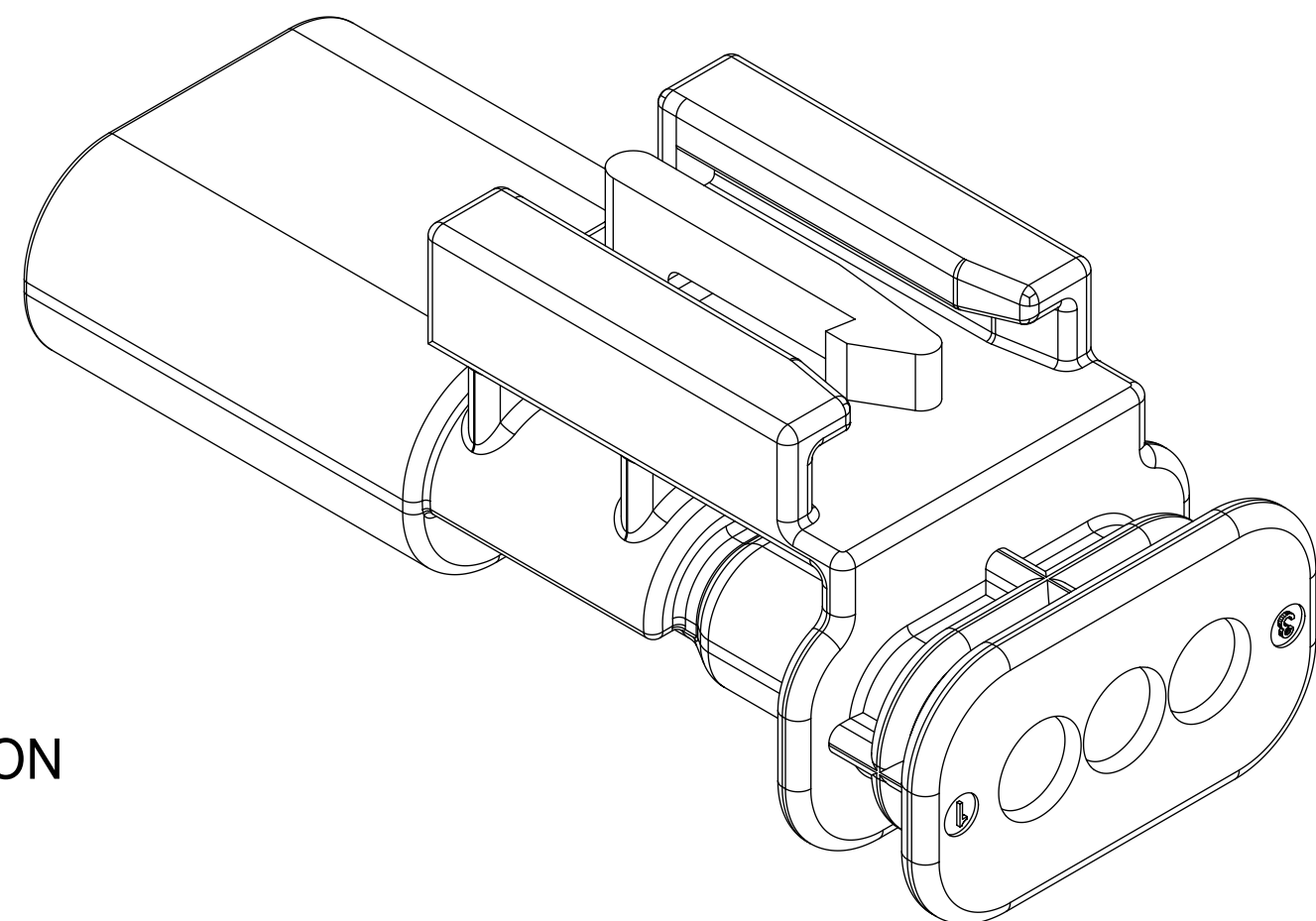
7mm CLIP-SLOT OPTION



11mm CLIP-SLOT OPTION

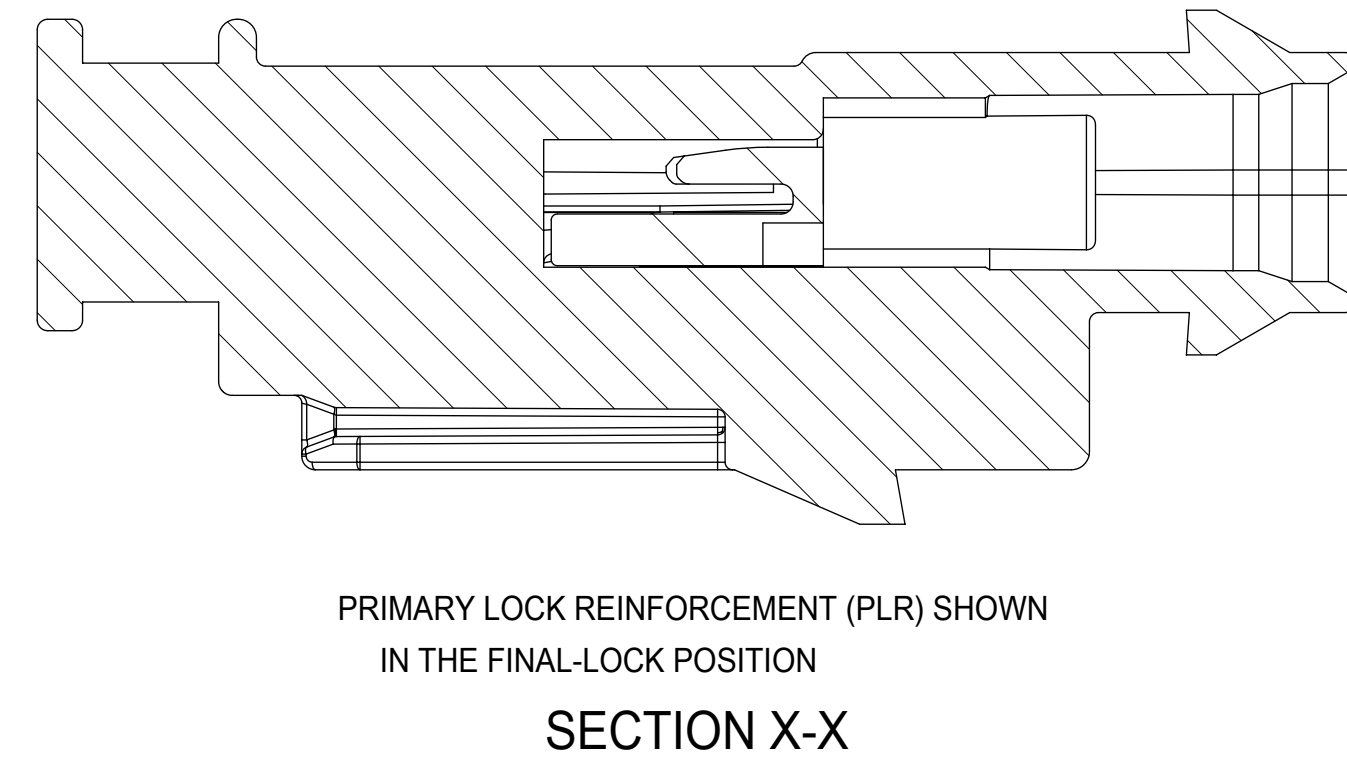
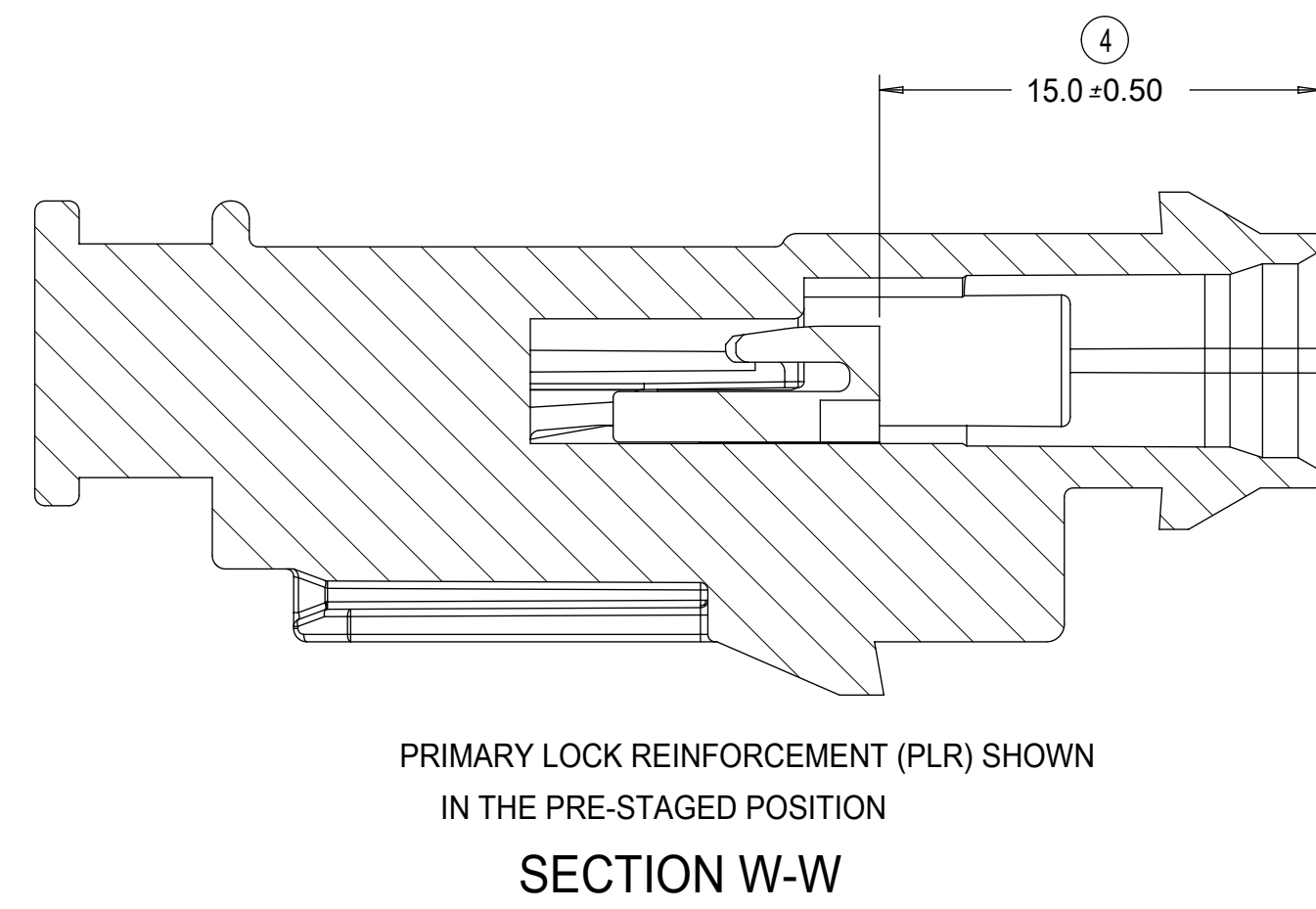
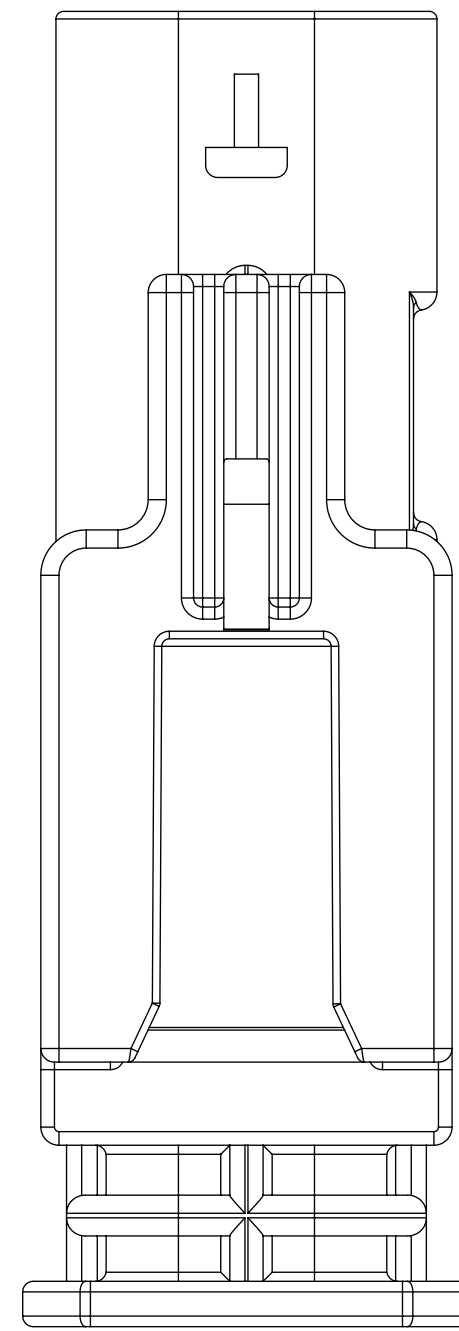
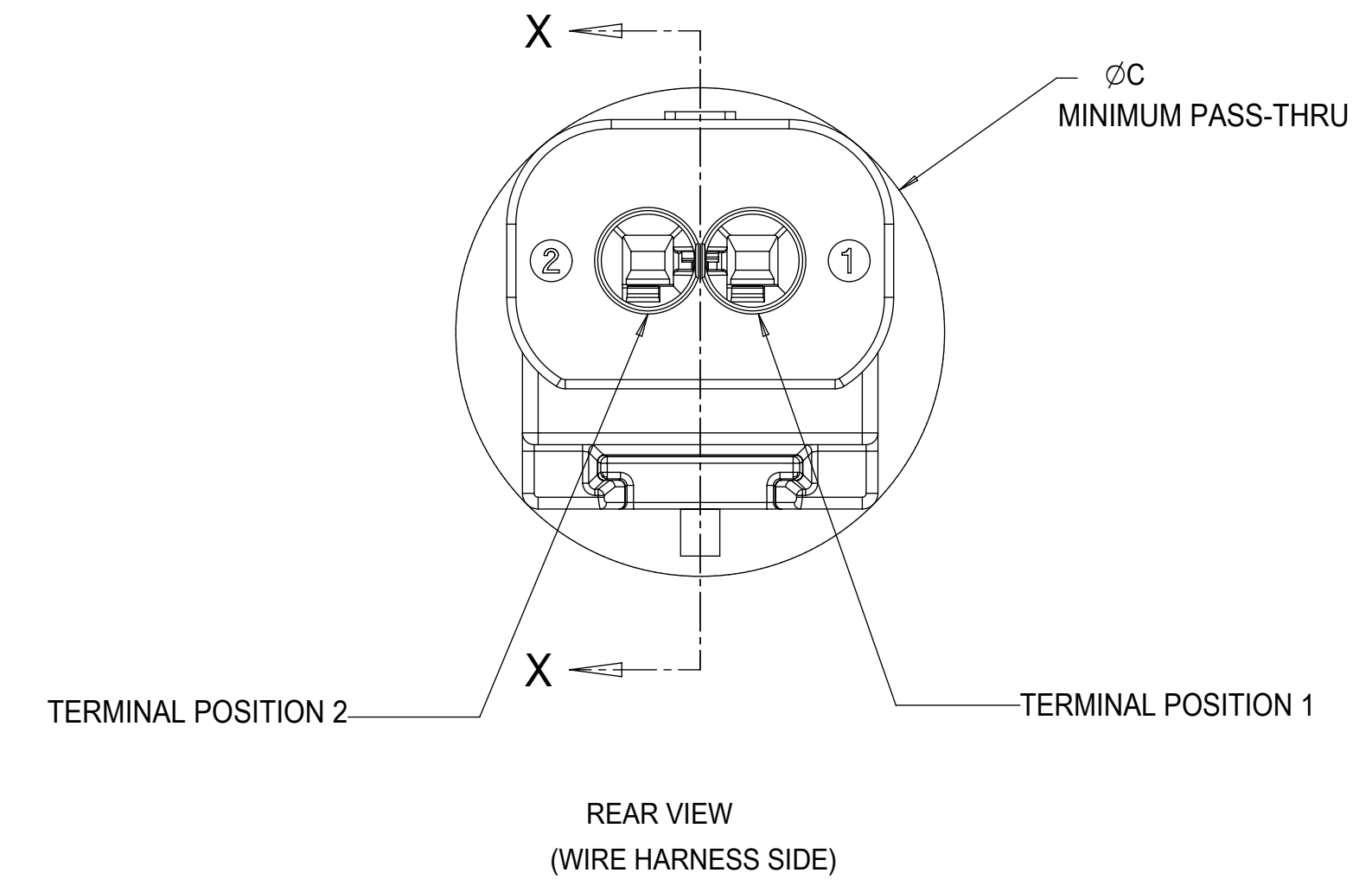
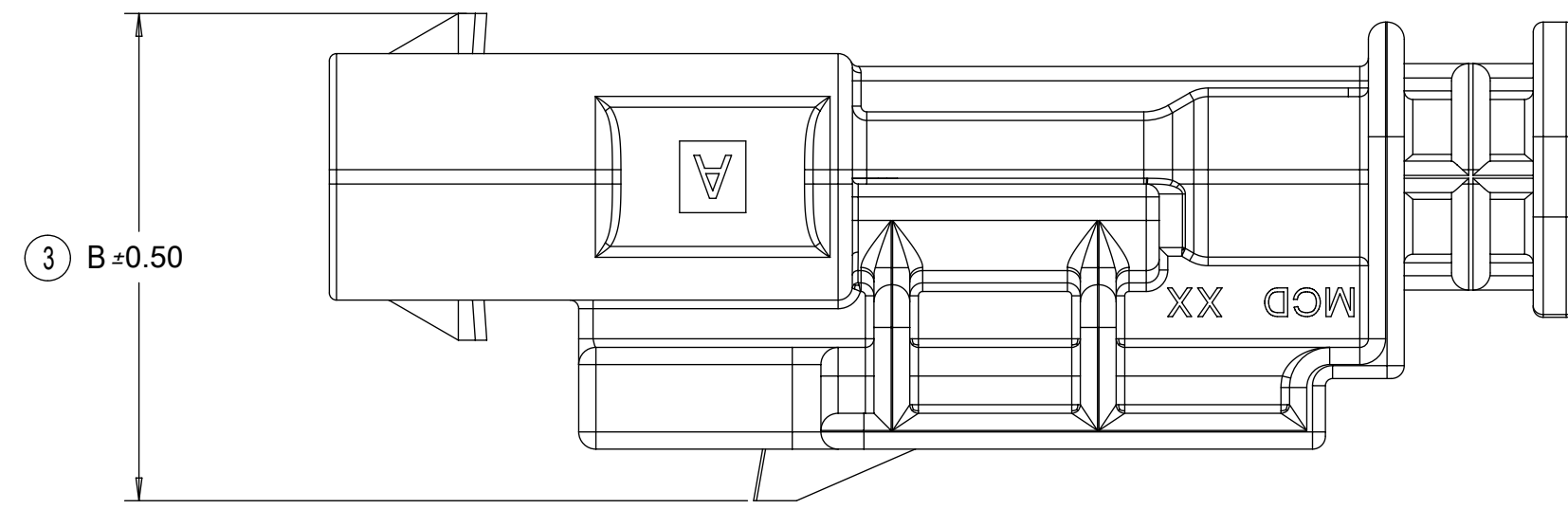
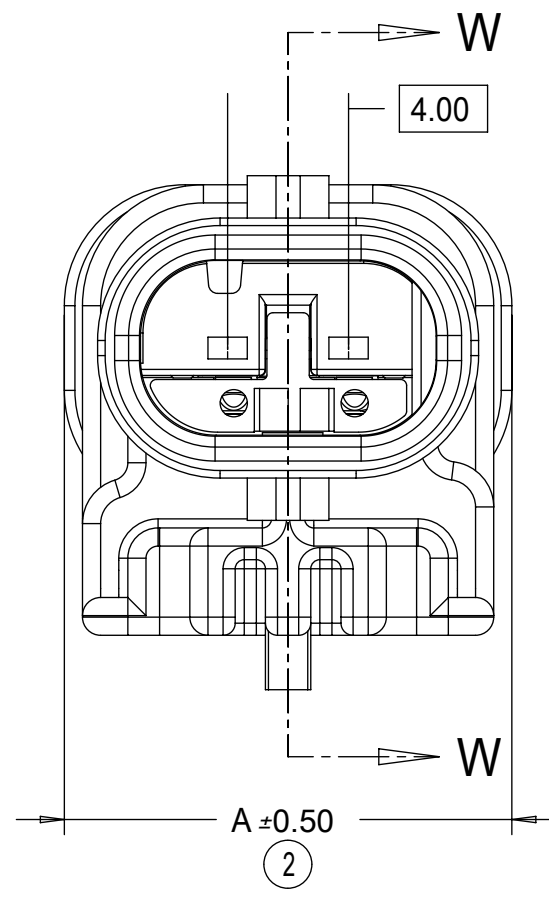
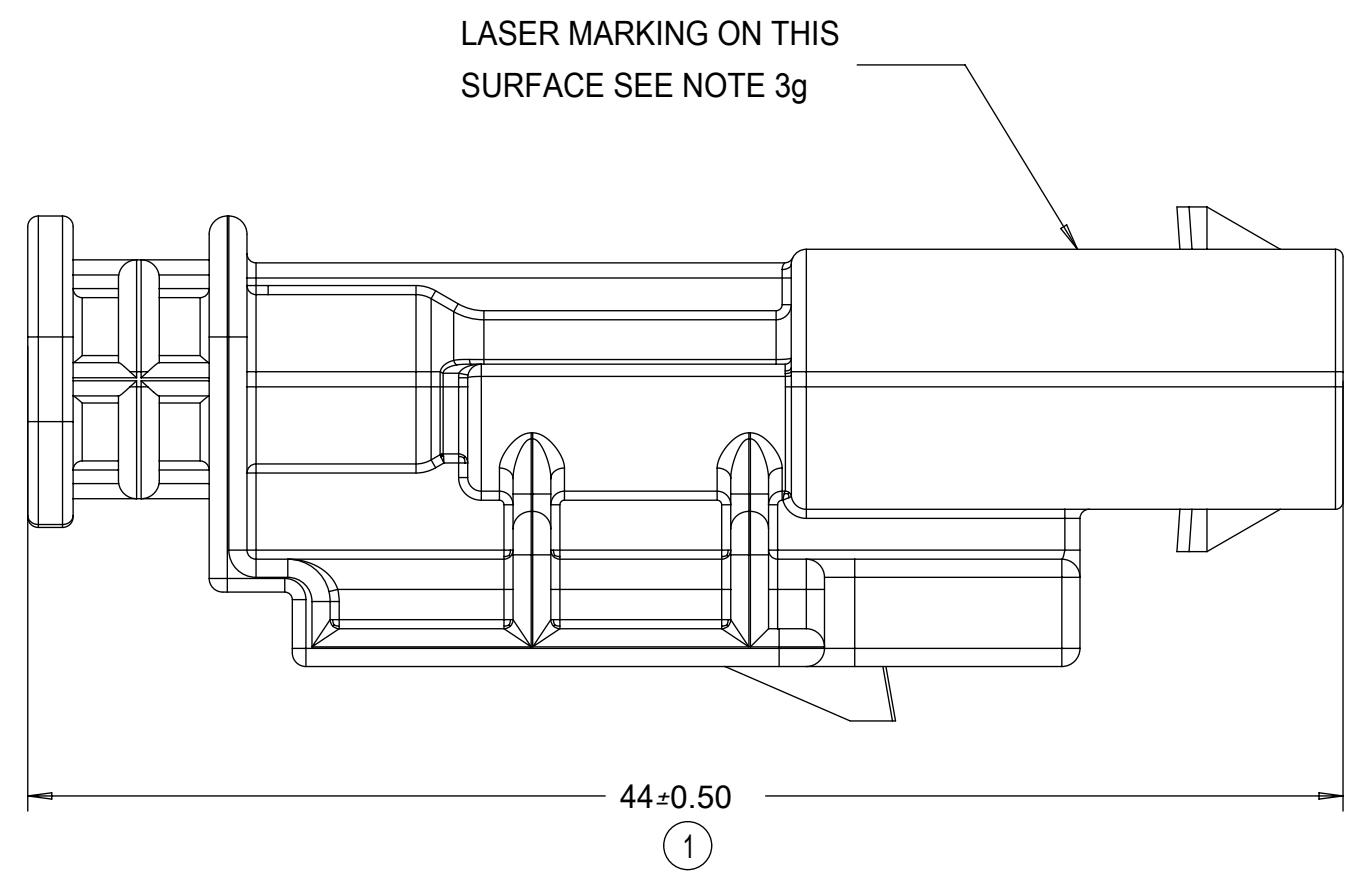


40G CLIP-SLOT OPTION



QUALITY SYMBOLS ▽ = 0 ▽ = 0 ▽ = 0 ▽ = 0 ▽ = 0 ▽ = 0 ▽ = 0 ▽ = 0 ▽ = 0 ▽ = 0		THIS DRAWING CONTAINS INFORMATION THAT IS PROPRIETARY TO MOLEX ELECTRONIC TECHNOLOGIES, LLC AND SHOULD NOT BE USED WITHOUT WRITTEN PERMISSION		GENERAL TOLERANCES (UNLESS SPECIFIED) DIMENSION UNITS: MM SCALE: 4:1 ANGULAR TOL ± 3.0 ° DRWN BY: SKRAJENDRANA DATE: 2013/11/06 4 PLACES ± 3 PLACES ± 2 PLACES ± 0.1 1 PLACE ± 0.2 0 PLACES ± 0.5 DRAFT WHERE APPLICABLE MUST REMAIN WITHIN DIMENSIONS		DIMENSION UNITS: MM SCALE: 4:1 DRWN BY: SKRAJENDRANA DATE: 2013/11/06 CHKD BY: DATE: APPR BY: DATE: DRAWING SIZE: D THIRD ANGLE PROJECTION		molex 1.2MM 1X2, 1X3 BLADE SEALED ASSEMBLY CABLE SEAL PRODUCT CUSTOMER DRAWING		SERIES: 34899 MATERIAL NUMBER: SEE BOM CUSTOMER: GENERAL MARKET	
EC NO: 117908 DRWN: VYARAPPA CHKD: APPR: KDEKOSKI		2017/04/11 2017/06/22		A15		DOCUMENT NUMBER: SD-34899-2001 DOC TYPE: PSD DOC PART: 001 SHEET NUMBER: 4 OF 11		RELEASE STATUS: P1 RELEASE DATE: 22.06.2017 19:25:24		19 18 17 16 15 14 13 12 11 10 9 8 7 6 5 4 3 2 1	

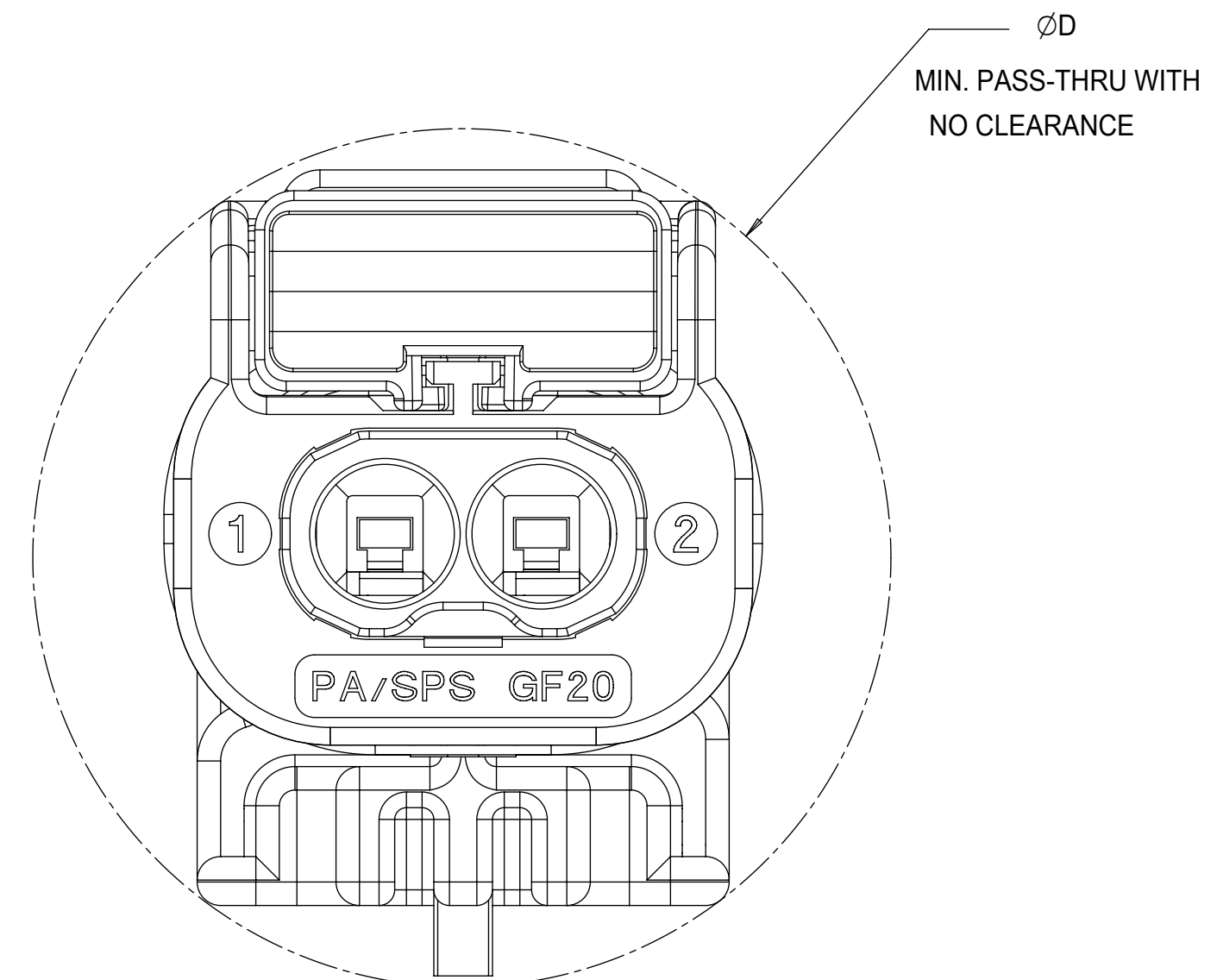
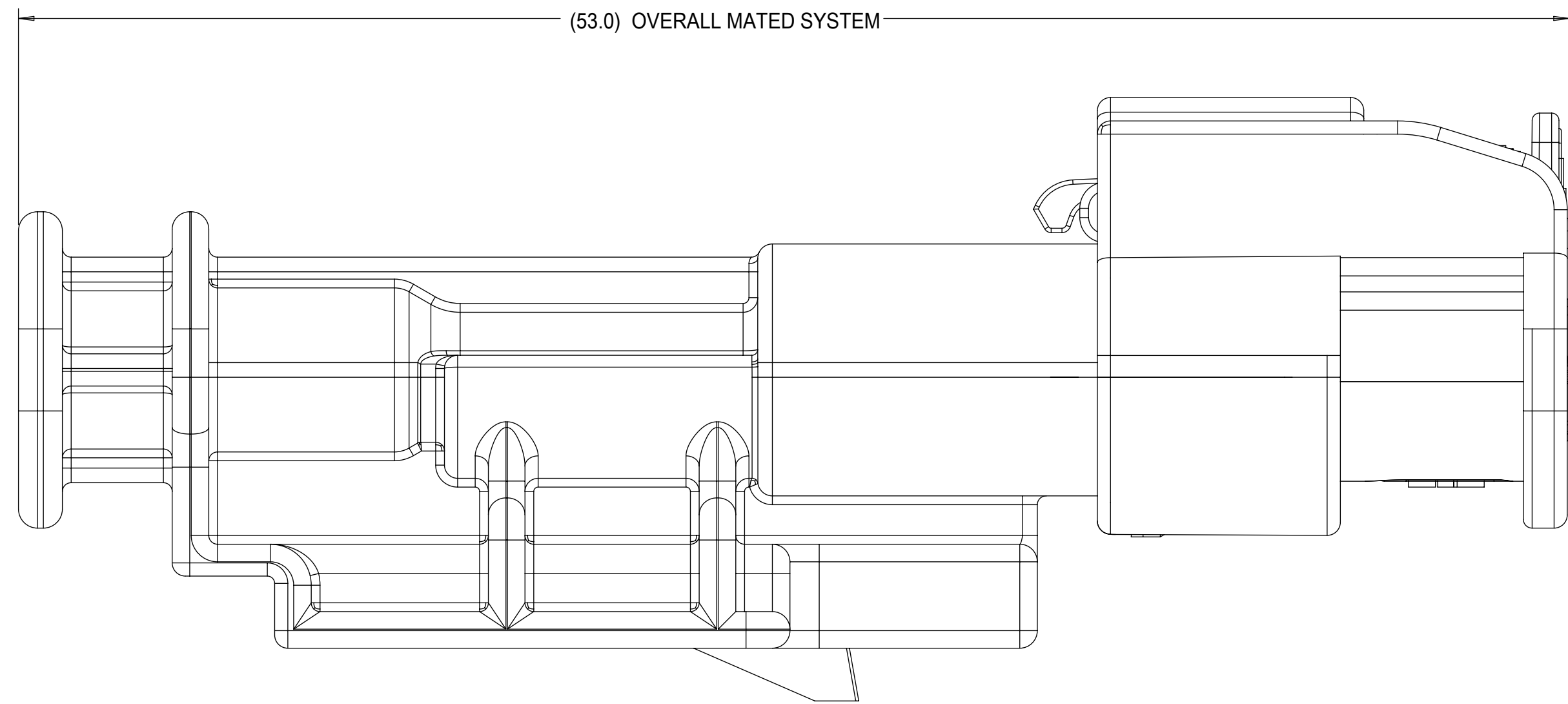
BLADE SEALED ASSEMBLY



1x3 BLADE SEALED ASSEMBLY, 40G CLIP SLOT	19	16.75	21.75
1x3 BLADE SEALED ASSEMBLY, 11mm CLIP SLOT	19	14.6	20.75
1x3 BLADE SEALED ASSEMBLY, 7mm CLIP SLOT	19	17	20.5
1x2 BLADE SEALED ASSEMBLY, 40G CLIP SLOT	15	16.75	20.25
1x2 BLADE SEALED ASSEMBLY, 11mm CLIP SLOT	15	15.5	19
1x2 BLADE SEALED ASSEMBLY, 7mm CLIP SLOT	15	17	18.75
CONFIGURATION	A	B	C
CHARTED DIMENSIONS			

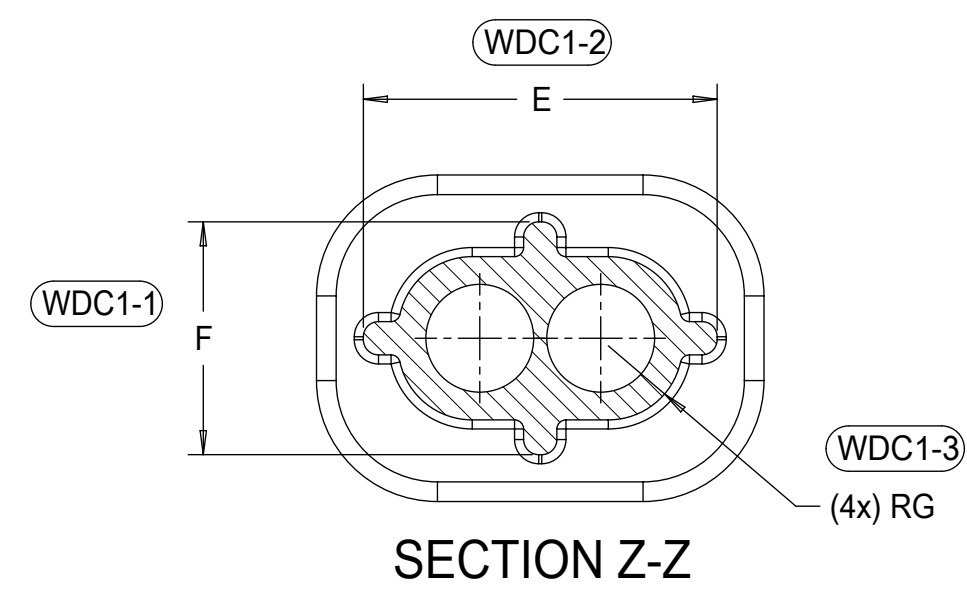
QUALITY SYMBOLS □ = 0 ▽ = 0 ▽ = 0 ▽ = 0 ▽ = 0 ▽ = 0 ▽ = 0 ▽ = 0 ▽ = 0 ▽ = 0 ▽ = 0	THIS DRAWING CONTAINS INFORMATION THAT IS PROPRIETARY TO MOLEX ELECTRONIC TECHNOLOGIES, LLC AND SHOULD NOT BE USED WITHOUT WRITTEN PERMISSION				molex 1.2MM 1X2, 1X3 BLADE SEALED ASSEMBLY CABLE SEAL	
	EC NO: 117908 DRWN: VYARAPPA CHK'D: REV APPR: KDEKOSKI	2017/04/11 2017/06/22	GENERAL TOLERANCES (UNLESS SPECIFIED) ANGULAR TOL ± 3.0 ° 4 PLACES ± 3 PLACES ± 2 PLACES ± 0.1 1 PLACE ± 0.2 0 PLACES ± 0.5 DRAFT WHERE APPLICABLE MUST REMAIN WITHIN DIMENSIONS	DIMENSION UNITS: MM SCALE: 4:1 DRWN BY: SKRAJENDRANA DATE: 2013/11/06 CHK'D BY: DATE: APPR BY: DATE:		
	DRAWING SIZE: D THIRD ANGLE PROJECTION		SERIES: 34899 MATERIAL NUMBER: SEE BOM CUSTOMER: GENERAL MARKET		DOCUMENT NUMBER: SD-34899-2001 DOC TYPE: PSD DOC PART: 001 SHEET NUMBER: 5 OF 11	
	RELEASE STATUS: P1 RELEASE DATE: 22.06.2017 19:25:24					

CONNECTION SYSTEM PACKAGING



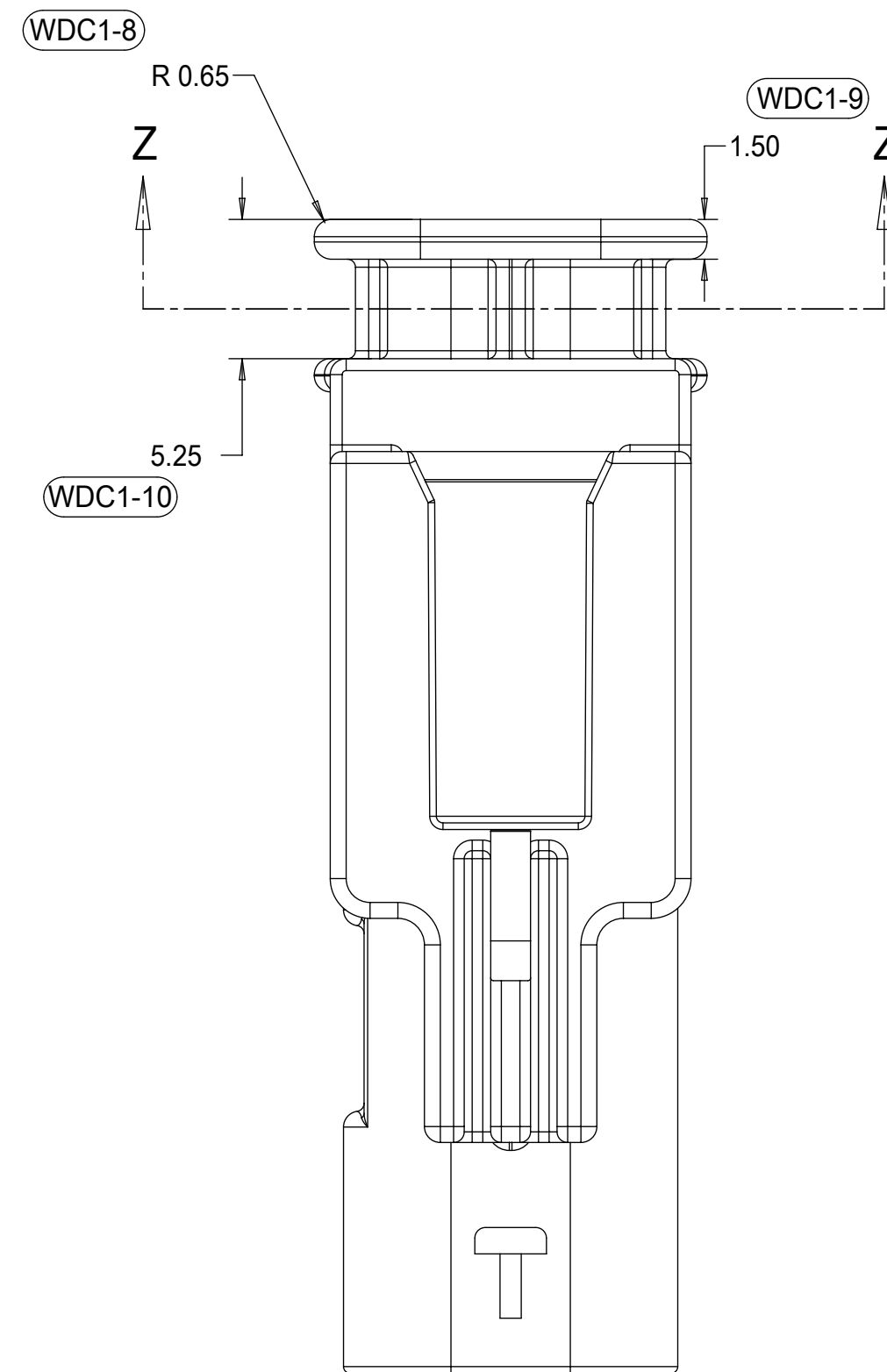
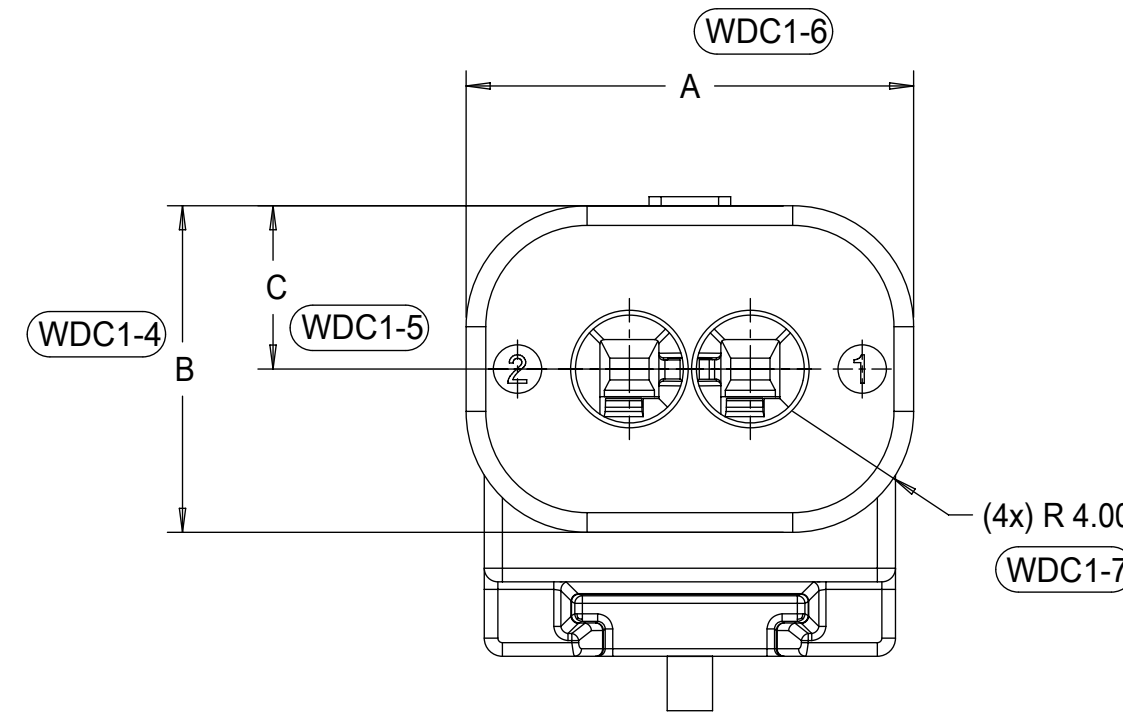
1x3 RECEPTACLE MATED TO 1x3 BLADE, 40 CLIP SLOT	TBD
1x3 RECEPTACLE MATED TO 1x3 BLADE, 11mm CLIP SLOT	24.0
1x3 RECEPTACLE MATED TO 1x3 BLADE, 7mm CLIP SLOT	23.0
1x2 RECEPTACLE MATED TO 1x2 BLADE, 40G CLIP SLOT	23.0
1x2 RECEPTACLE MATED TO 1x2 BLADE, 11mm CLIP SLOT	23.0
1x2 RECEPTACLE MATED TO 1x2 BLADE, 7mm CLIP SLOT	23.0
1.2mm CONNECTION SYSTEM CONFIGURATION	D
CHARTED DIMENSIONS	

QUALITY SYMBOLS 	THIS DRAWING CONTAINS INFORMATION THAT IS PROPRIETARY TO MOLEX ELECTRONIC TECHNOLOGIES, LLC AND SHOULD NOT BE USED WITHOUT WRITTEN PERMISSION				
	EC NO: 117908 DRWN: VYARAPPA CHK'D: REV APPR: KDEKOSKI	2017/04/11 2017/06/22	GENERAL TOLERANCES (UNLESS SPECIFIED) ANGULAR TOL ± 3.0 ° 4 PLACES ± 3 PLACES ± 2 PLACES ± 0.1 1 PLACE ± 0.2 0 PLACES ± 0.5 DRAFT WHERE APPLICABLE MUST REMAIN WITHIN DIMENSIONS	DIMENSION UNITS: MM SCALE: 6:1 DRWN BY: SKRAJENDRANA DATE: 2013/11/06 CHK'D BY: DATE: APPR BY: DATE: DRAWING SIZE: D THIRD ANGLE PROJECTION	
	PRODUCT CUSTOMER DRAWING			SERIES: 34899 MATERIAL NUMBER: SEE BOM CUSTOMER: GENERAL MARKET	
	DOCUMENT NUMBER: SD-34899-2001 DOC TYPE: PSD DOC PART: 001 SHEET NUMBER: 6 OF 11				

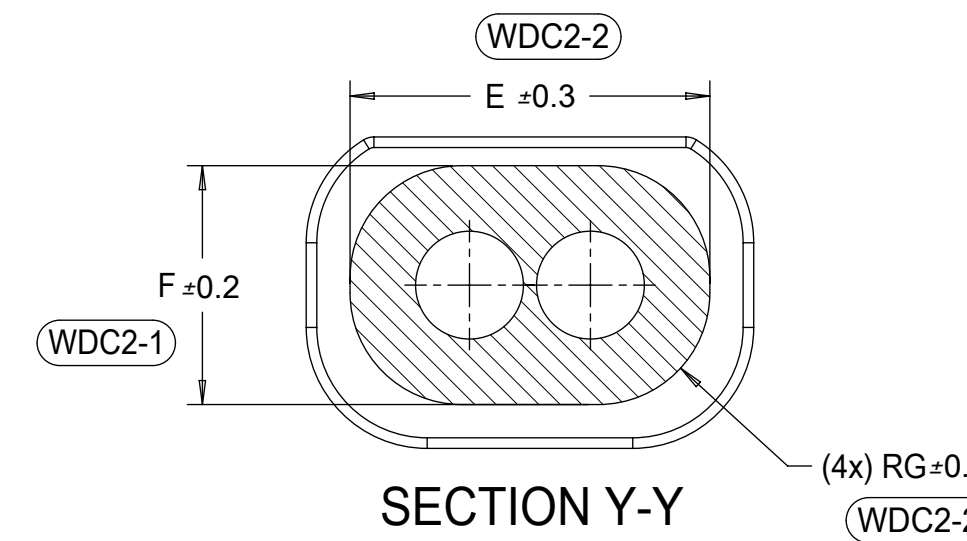


3 CIRCUIT	18.8	10.8	5.4	15.7	7.7	2.45
2 CIRCUIT	14.8	10.8	5.4	11.7	7.7	2.45
CONFIGURATION	A	B	C	E	F	G

CHARTED DIMENSIONS

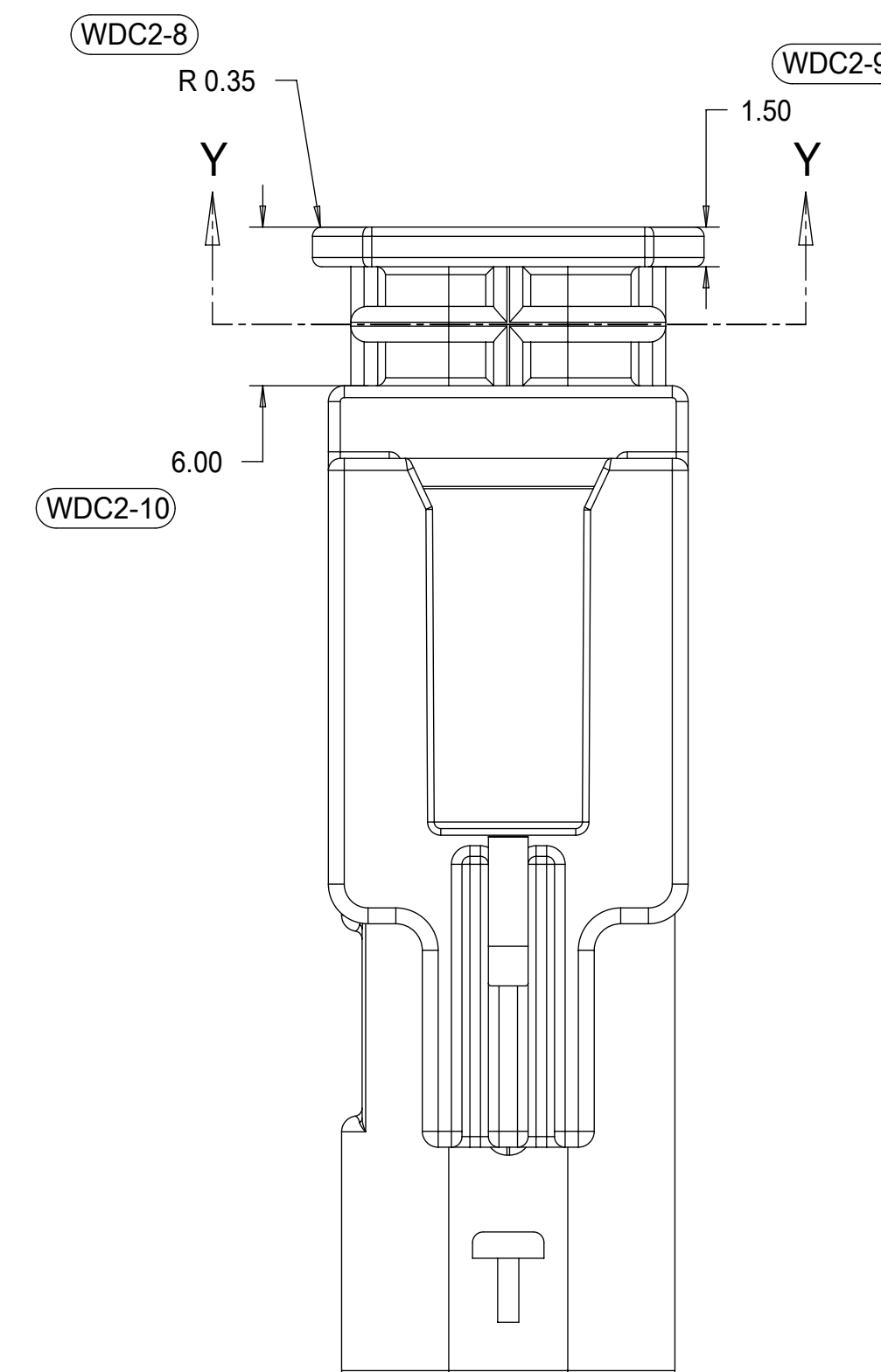
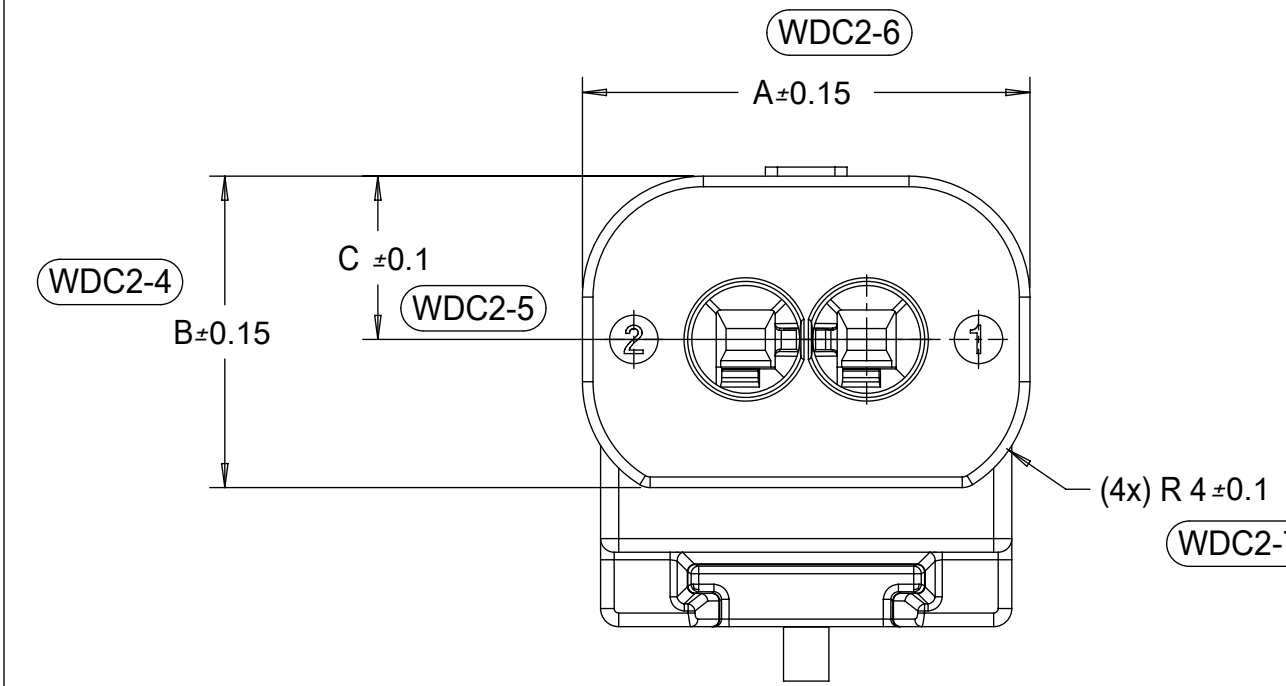


WIRE DRESS COVER
 INTERFACE OPTION 1
 WIRE DRESS COVERS
 NOT AVAILABLE



3 CIRCUIT	18.8	10.8	5.4	15.9	7.9	3.7
2 CIRCUIT	14.8	10.3	5.4	11.9	7.9	3.7
CONFIGURATION	A	B	C	E	F	G

CHARTED DIMENSIONS



WIRE DRESS COVER
 INTERFACE OPTION 2
 BASED ON HIRSCHMANN INTERFACE
 DRAWING 808-012-xxx REV B5

QUALITY SYMBOLS	THIS DRAWING CONTAINS INFORMATION THAT IS PROPRIETARY TO MOLEX ELECTRONIC TECHNOLOGIES, LLC AND SHOULD NOT BE USED WITHOUT WRITTEN PERMISSION										
	2017/04/11	2017/06/22	GENERAL TOLERANCES (UNLESS SPECIFIED)		DIMENSION UNITS	SCALE					
EC NO: 117908	DRWN: VYARAPPA	CHKD: KDEKOSKI	APPR: KDEKOSKI	ANGULAR TOL ± 3.0 °	MM	4:1					
▽ = 0	▽ = 0	▽ = 0	▽ = 0	4 PLACES ±	DRWN BY	DATE	1.2MM 1X2, 1X3 BLADE SEALED ASSEMBLY CABLE SEAL				
▽ = 0	▽ = 0	▽ = 0	▽ = 0	3 PLACES ±	SKRAJENDRANA	2013/11/06					
▽ = 0	▽ = 0	▽ = 0	▽ = 0	2 PLACES ± 0.1	CHKD BY	DATE	PRODUCT CUSTOMER DRAWING				
▽ = 0	▽ = 0	▽ = 0	▽ = 0	1 PLACE ± 0.2	APPR BY	DATE					
▽ = 0	▽ = 0	▽ = 0	▽ = 0	0 PLACES ± 0.5	DRAWING SIZE		THIRD ANGLE PROJECTION	GENERAL MARKET			
▽ = 0	▽ = 0	▽ = 0	▽ = 0	DRAFT WHERE APPLICABLE MUST REMAIN WITHIN DIMENSIONS	D						
RELEASE STATUS	P1	RELEASE DATE	22.06.2017	19:25:24	A15	SERIES	MATERIAL NUMBER	CUSTOMER	DOCUMENT NUMBER: SD-34899-2001 DOC TYPE: PSD DOC PART: 001 SHEET NUMBER: 7 OF 11		


1x2 BLADE SEALED ASSEMBLY BOM
 FOR WIRE DRESS COVER INTERFACE 2
 REFER WIRE DRESS COVER INTERFACE SHEET
 FOR DETAILS

KEYING OPTION A, 40G CLIP SLOT, BLACK	34899-2060	2																		A	OK TO TOOL		
KEYING OPTION A, 40G CLIP SLOT, YELLOW	34899-2050	2																			A	OK TO TOOL	
KEYING OPTION E, 7mm CLIP SLOT, STONE GRAY	34899-2083	2																		E	OK TO TOOL		
KEYING OPTION C, 7mm CLIP SLOT, DARK GRAY	34899-2082	2																		C	SALEABLE		
KEYING OPTION B, 7mm CLIP SLOT, LIGHT GRAY	34899-2081	2																		B	SALEABLE		
KEYING OPTION A, 7mm CLIP SLOT, BLACK	34899-2080	2																		A	SALEABLE		
KEYING OPTION E, 7mm CLIP SLOT, YELLOW	34899-2073	2																		E	OK TO TOOL		
KEYING OPTION C, 7mm CLIP SLOT, YELLOW	34899-2072	2																		C	SALEABLE		
KEYING OPTION B, 7mm CLIP SLOT, YELLOW	34899-2071	2																		B	SALEABLE		
KEYING OPTION A, 7mm CLIP SLOT, YELLOW	34899-2070	2																		A	SALEABLE		
ASSEMBLY DESCRIPTION	ASSEMBLY PART NUMBER	WIRE DRESS COVER INTERFACE OPTION																				PRODUCTION TOOL STATUS	COMMENTS

PLR	NATURAL	SPS/NYLON GF20
1x2 CONNECTOR HOUSING, KEYING OPTION A 40G CLIP SLOT	BLACK	SPS/NYLON GF20
1x2 CONNECTOR HOUSING, KEYING OPTION A 40G CLIP SLOT	YELLOW	SPS/NYLON GF20
1x2 CONNECTOR HOUSING, KEYING OPTION E 7mm CLIP SLOT	STONE GRAY	SPS/NYLON GF20
1x2 CONNECTOR HOUSING, KEYING OPTION C 7mm CLIP SLOT	DARK GRAY	SPS/NYLON GF20
1x2 CONNECTOR HOUSING, KEYING OPTION B 7mm CLIP SLOT	LIGHT GRAY	SPS/NYLON GF20
1x2 CONNECTOR HOUSING, KEYING OPTION A 7mm CLIP SLOT	BLACK	SPS/NYLON GF20
1x2 CONNECTOR HOUSING, KEYING OPTION E 7mm CLIP SLOT	YELLOW	SPS/NYLON GF20
1x2 CONNECTOR HOUSING, KEYING OPTION C 7mm CLIP SLOT	YELLOW	SPS/NYLON GF20
1x2 CONNECTOR HOUSING, KEYING OPTION B 7mm CLIP SLOT	YELLOW	SPS/NYLON GF20
1x2 CONNECTOR HOUSING, KEYING OPTION A 7mm CLIP SLOT	YELLOW	SPS/NYLON GF20

DESCRIPTION	COLOR	MATERIAL
BOM/APPLICABLE COMPONENTS TABLE		

ABREVIATION	COMPONENT
A	CONNECTOR HOUSING KEYING OPTION A
B	CONNECTOR HOUSING KEYING OPTION B
C	CONNECTOR HOUSING KEYING OPTION C
E	CONNECTOR HOUSING KEYING OPTION E

QUALITY SYMBOLS ▽ = 0 ▽ = 0 ▽ = 0 ▽ = 0 ▽ = 0 ▽ = 0 ▽ = 0 ▽ = 0 ▽ = 0	THIS DRAWING CONTAINS INFORMATION THAT IS PROPRIETARY TO MOLEX ELECTRONIC TECHNOLOGIES, LLC AND SHOULD NOT BE USED WITHOUT WRITTEN PERMISSION		GENERAL TOLERANCES (UNLESS SPECIFIED) DIMENSION UNITS: MM SCALE:	 1.2MM 1X2, 1X3 BLADE SEALED ASSEMBLY CABLE SEAL	
	DRWN BY: SKRAJENDRANA DATE: 2017/04/11	APPR BY:	DIMENSION UNITS: MM SCALE:		
EC NO: 117908 DRWN: VYARAPPA CHKD: REV APPR: KDEKOSKI			DIMENSION UNITS: MM SCALE:	DIMENSION UNITS: MM SCALE:	PRODUCT CUSTOMER DRAWING SERIES: 34899 MATERIAL NUMBER: SEE BOM CUSTOMER: GENERAL MARKET
DRAFT WHERE APPLICABLE MUST REMAIN WITHIN DIMENSIONS			DIMENSION UNITS: MM SCALE:	DIMENSION UNITS: MM SCALE:	DOCUMENT NUMBER: SD-34899-2001 DOC TYPE: PSD DOC PART: 001 SHEET NUMBER: 9 OF 11

1x3 BLADE SEALED ASSEMBLY BOM
FOR WIRE DRESS COVER INTERFACE 1
REFER WIRE DRESS COVER INTERFACE SHEET
FOR DETAILS

KEYING OPTION D, 11mm CLIP SLOT, STONE GRAY	34899-3043	1																D	TOOLED BUT NOT VALIDATED		EM-34899-3033
KEYING OPTION C, 11mm CLIP SLOT, DARK GRAY	34899-3042	1																C	TOOLED BUT NOT VALIDATED		EM-34899-3032
KEYING OPTION B, 11mm CLIP SLOT, LIGHT GRAY	34899-3041	1																B	SALEABLE		EM-34899-3031
KEYING OPTION A, 11mm CLIP SLOT, BLACK	34899-3040	1																A	SALEABLE		EM-34899-3030
KEYING OPTION D, 11mm CLIP SLOT, YELLOW	34899-3033	1																D	TOOLED BUT NOT VALIDATED		EM-34899-3033
KEYING OPTION C, 11mm CLIP SLOT, YELLOW	34899-3032	1																C	TOOLED BUT NOT VALIDATED		EM-34899-3032
KEYING OPTION B, 11mm CLIP SLOT, YELLOW	34899-3031	1																B	SALEABLE		EM-34899-3031
KEYING OPTION A, 11mm CLIP SLOT, YELLOW	34899-3030	1																A	SALEABLE		EM-34899-3030
KEYING OPTION D, 7mm CLIP SLOT, STONE GRAY	34899-3023	1																D	TOOLED BUT NOT VALIDATED		EM-34899-3013
KEYING OPTION C, 7mm CLIP SLOT, DARK GRAY	34899-3022	1																C	TOOLED BUT NOT VALIDATED		EM-34899-3012
KEYING OPTION B, 7mm CLIP SLOT, LIGHT GRAY	34899-3021	1																B	SALEABLE		EM-34899-3011
KEYING OPTION A, 7mm CLIP SLOT, BLACK	34899-3020	1																A	SALEABLE		EM-34899-3010
KEYING OPTION D, 7mm CLIP SLOT, YELLOW	34899-3013	1																D	TOOLED BUT NOT VALIDATED		EM-34899-3013
KEYING OPTION C, 7mm CLIP SLOT, YELLOW	34899-3012	1																C	TOOLED BUT NOT VALIDATED		EM-34899-3012
KEYING OPTION B, 7mm CLIP SLOT, YELLOW	34899-3011	1																B	SALEABLE		EM-34899-3011
KEYING OPTION A, 7mm CLIP SLOT, YELLOW	34899-3010	1																A	SALEABLE		EM-34899-3010
ASSEMBLY DESCRIPTION	ASSEMBLY PART NUMBER	WIRE DRESS COVER INTERFACE OPTION																	PRODUCTION TOOL STATUS	COMMENTS	MODEL NUMBER

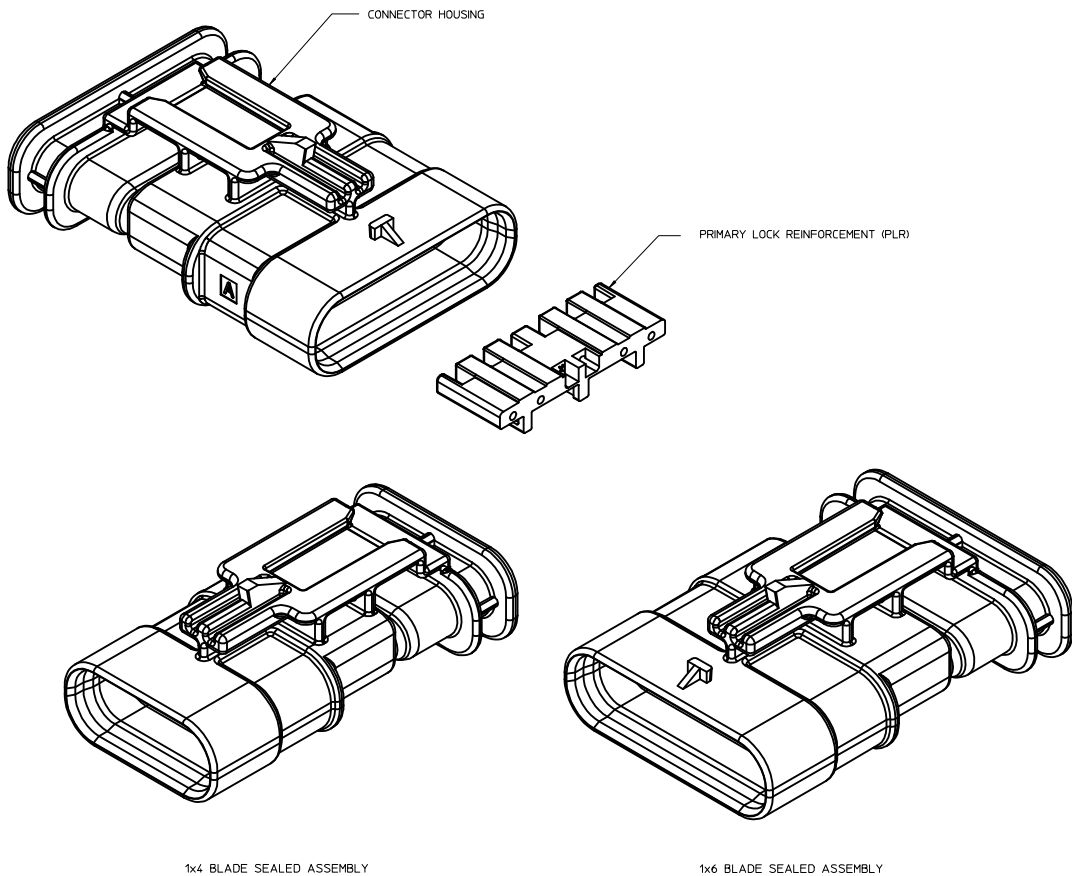
PLR		
DESCRIPTION	COLOR	MATERIAL
1x3 CONNECTOR HOUSING, KEYING OPTION D 11mm CLIP SLOT	STONE GRAY	SPS/NYLON GF20
1x3 CONNECTOR HOUSING, KEYING OPTION C 11mm CLIP SLOT	DARK GRAY	SPS/NYLON GF20
1x3 CONNECTOR HOUSING, KEYING OPTION B 11mm CLIP SLOT	LIGHT GRAY	SPS/NYLON GF20
1x3 CONNECTOR HOUSING, KEYING OPTION A 11mm CLIP SLOT	BLACK	SPS/NYLON GF20
1x3 CONNECTOR HOUSING, KEYING OPTION D 11mm CLIP SLOT	YELLOW	SPS/NYLON GF20
1x3 CONNECTOR HOUSING, KEYING OPTION C 11mm CLIP SLOT	YELLOW	SPS/NYLON GF20
1x3 CONNECTOR HOUSING, KEYING OPTION B 11mm CLIP SLOT	YELLOW	SPS/NYLON GF20
1x3 CONNECTOR HOUSING, KEYING OPTION A 11mm CLIP SLOT	YELLOW	SPS/NYLON GF20
1x3 CONNECTOR HOUSING, KEYING OPTION D 7mm CLIP SLOT	STONE GRAY	SPS/NYLON GF20
1x3 CONNECTOR HOUSING, KEYING OPTION C 7mm CLIP SLOT	DARK GRAY	SPS/NYLON GF20
1x3 CONNECTOR HOUSING, KEYING OPTION B 7mm CLIP SLOT	LIGHT GRAY	SPS/NYLON GF20
1x3 CONNECTOR HOUSING, KEYING OPTION A 7mm CLIP SLOT	BLACK	SPS/NYLON GF20
1x3 CONNECTOR HOUSING, KEYING OPTION D 7mm CLIP SLOT	YELLOW	SPS/NYLON GF20
1x3 CONNECTOR HOUSING, KEYING OPTION C 7mm CLIP SLOT	YELLOW	SPS/NYLON GF20
1x3 CONNECTOR HOUSING, KEYING OPTION B 7mm CLIP SLOT	YELLOW	SPS/NYLON GF20
1x3 CONNECTOR HOUSING, KEYING OPTION A 7mm CLIP SLOT	YELLOW	SPS/NYLON GF20
DESCRIPTION	COLOR	MATERIAL
BOM/APPLICABLE COMPONENTS TABLE		

ABBREVIATION	COMPONENT
A	CONNECTOR HOUSING KEYING OPTION A
B	CONNECTOR HOUSING KEYING OPTION B
C	CONNECTOR HOUSING KEYING OPTION C
D	CONNECTOR HOUSING KEYING OPTION D

QUALITY SYMBOLS		THIS DRAWING CONTAINS INFORMATION THAT IS PROPRIETARY TO MOLEX ELECTRONIC TECHNOLOGIES, LLC AND SHOULD NOT BE USED WITHOUT WRITTEN PERMISSION	
▽ = 0	2017/04/11	GENERAL TOLERANCES (UNLESS SPECIFIED)	DIMENSION UNITS
▽ = 0	2017/06/22	ANGULAR TOL ± 3.0 °	SCALE
▽ = 0		4 PLACES ±	MM
▽ = 0		3 PLACES ±	DRWN BY DATE
▽ = 0		2 PLACES ± 0.1	SKRAJENDRANA 2013/11/06
▽ = 0		1 PLACE ± 0.2	CHKD BY DATE
▽ = 0		0 PLACES ± 0.5	APPR BY DATE
▽ = 0		DRAFT WHERE APPLICABLE MUST REMAIN WITHIN DIMENSIONS	DRAWING SIZE
▽ = 0			THIRD ANGLE PROJECTION
EC NO: 117908	DRWN: VYARAPPA	CHKD: KDEKOSKI	REV: APPR: KDEKOSKI
A15			
RELEASE STATUS	P1	RELEASE DATE	22.06.2017 19:25:24
SERIES		MATERIAL NUMBER	CUSTOMER
34899		SEE BOM	GENERAL MARKET
DOCUMENT NUMBER		DOC TYPE	DOC PART SHEET NUMBER
SD-34899-2001		PSD	001 10 OF 11

TABLE OF CONTENTS

SHEET NO.	SHEET DESCRIPTION
1	NOTES
2	1x4 BLADE SEALED ASSEMBLY KEYING CONFIGURATIONS
3	1x6 BLADE SEALED ASSEMBLY KEYING CONFIGURATIONS
4	CLIP SLOT CONFIGURATIONS
5	BLADE SEALED ASSEMBLY
6	CONNECTION SYSTEM PACKAGING
7	WIRE DRESS COVER INTERFACE OPTIONS
8	1x4 BLADE SEALED ASSEMBLY BOM INTERFACE OPTION 1
9	1x4 BLADE SEALED ASSEMBLY BOM INTERFACE OPTION 2
10	1x6 BLADE SEALED ASSEMBLY BOM INTERFACE OPTION 1
11	1x6 BLADE SEALED ASSEMBLY BOM INTERFACE OPTION 2



1x4 BLADE SEALED ASSEMBLY

1x6 BLADE SEALED ASSEMBLY

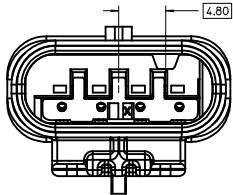
NOTES: VALID UNLESS OTHERWISE SPECIFIED

1. GENERAL:
 - a. APPLICATION SPECIFICATION SEE: AS-34900-0001
CONTAINS: PRODUCT INTRODUCTION, PRODUCT SUMMARY, CONNECTOR ASSEMBLY, PACKAGING INFORMATION, CONNECTOR MATING, SERVICE INSTRUCTIONS, ELECTRICAL CONTINUITY CHECKING, CRIMPING, AND TROUBLESHOOTING.
 - b. PRODUCT SPECIFICATION SEE: PS-34900-0001
CONTAINS: PRODUCT INTRODUCTION, PRODUCT SUMMARY, RATINGS (CURRENT, TEMPERATURE, SEALING, AND FLAMMABILITY), AND PRODUCT VALIDATION.
 - c. PACKAGING SPECIFICATION PER MOLEX DRAWING: PK-31301-898
 - d. PARTS MUST BE IN COMPLIANCE TO MOLEX CHEMICAL SUBSTANCES FOR PRODUCTS AND PACKAGING SPECIFICATION: QEHS-699000-301
 - e. DATA MUST BE SUBMITTED UNDER THE MOLEX PART NUMBER TO IMDS (COMPANY ID#13255)
2. DESIGN - MATERIALS:
 - a. SEE BOM TABLE
3. DESIGN - GEOMETRY:
 - a. THIS IS A 100% CAD GENERATED PART. THE CAD MATHEMATICAL DATA IS THE MASTER FOR THIS PART. FOR DIMENSIONAL OR ANY INFORMATION NOT SHOWN ON THIS DRAWING, ANALYZE THE CAD MODEL.
 - b. GEOMETRIC DIMENSIONS AND TOLERANCES PER ASME Y14.5M - 1994
 - c. EDGES AND UNDIMENSIONED DETAILS PER ISO13715
 - d. CORNERS SHOWN AS SHARP TO BE R 0.2 MAX.
 - e. LETTERING SHALL BE 0.15 MAX RAISED IN 0.25 MAX RECESS PAD. THIS INCLUDES RECYCLING CODE, CAVITY ID, VENDOR IDENTIFICATION, AND CUSTOMER MATERIAL NUMBER.
 - f. VISUAL DEFECTS SHALL MEET COSMETIC STANDARD PS-45499-002 (Class B)
- g. LASER MARKING:
 1. PART NUMBER
 2. DAY OF THE YEAR
 3. SHIFT
 4. YEAR

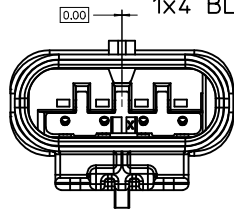
INSPECTION BALLOON NUMBER LOG
 PER DRAWING REVISION: B12
 LAST BALLOON NUMBER USED: WDC2-10
 ADDED BALLOON NUMBERS: WDC2-1 - WDC2-10
 REMOVED BALLOON NUMBERS:

ENTER DESCRIPTION EEC NO: UAU2016-1803 DRAWN: KOWALSKI CHKD: APPR: KOSKSKI DATE: 2016/06/01 2016/06/15 REV: B15	QUALITY SYMBOLS ∇=0 ∇=0 ∇=0	GENERAL TOLERANCES (UNLESS SPECIFIED): mm INCH 4 PLACES ±--- ±--- 3 PLACES ±--- ±--- 2 PLACES ±0.10 ±--- 1 PLACE ±0.20 ±--- 0 PLACE ±0.50 ±--- ANGULAR ± 3 ° DRAFT WHERE APPLICABLE MUST REMAIN WITHIN DIMENSIONS	DIMENSION STYLE MM ONLY DRAWN BY: MYANSLAMBROU DATE: 2012/07/13 CHECKED BY: YKOSHY DATE: 2012/07/19 APPROVED BY: YKOSHY DATE: 2012/07/124 MATERIAL NO: SEE BOM	SCALE: 4:1 DESIGN UNITS: METRIC THIRD ANGLE PROJECTION TITLE: 12MM 1X4, 1X6 BLADE SEALED ASSEMBLY CABLE SEAL molex DOCUMENT NO: SD-34899-6001 SHEET NO: 1 OF 11
	REV DESCRIPTION			
	B15 UPDATED BALLOONS 2-1 & 2-2 ON SHEET 7			
	B14 UPDATED PARTS TO SALEABLE			
B13 RELEASED PRIMARY KEYS NON-SIR SALEABLE				
B12 UPDATED PLR LOCK UP GEOMETRY				
B11 UPDATED WDC INTERFACE PART# TO TOOLED BUT NOT VALIDATED				
B10 UPDATED TOLERANCES WDC FEATURES				
B9 1X4, 1X6 PART # WIRE DRESS COVER INTERFACE FEATURES OK TO TOOL				
B8 1X4 40G CLIP-SLOT OK TO TOOL				
B7 1X4 PART # UPDATED TO 'TOOLED BUT NOT VALIDATED'				
B6 ADDED 40G CLIP-SLOT PART NUMBERS				
B5 BOM CORRECTIONS AND UPDATES				
B4 BOM CORRECTIONS AND UPDATES				
B3 1x4, 1x6 NON-SIR PART# OK TO TOOL				
B2 1x6 11mm CLIP SLOT PART # OK TO TOOL				
B1 1x6 11mm CLIP SLOT PART NUMBERS ADDED				
B ADDED 1x4 INFORMATION				
A OK TO TOOL				

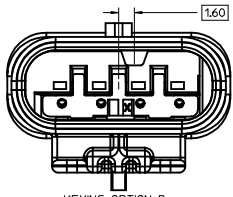
1x4 BLADE SEALED ASSEMBLY KEYING CONFIGURATIONS. FOR PART NUMBERS REFER TO BOM SHEET.



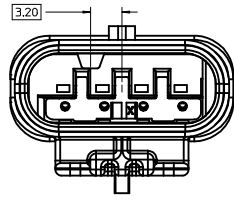
KEYING OPTION A



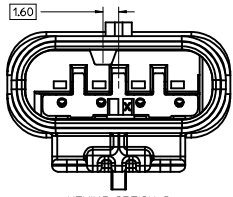
KEYING OPTION F



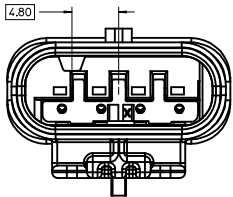
KEYING OPTION B



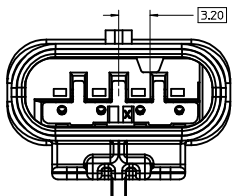
KEYING OPTION G



KEYING OPTION C



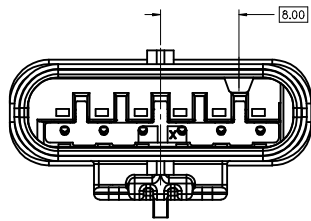
KEYING OPTION D



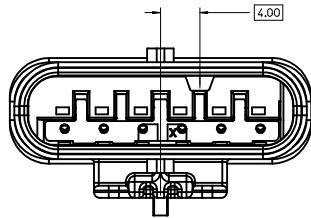
KEYING OPTION E

ENTER DESCRIPTION EC NO: UAU2016-1803 DRAWN: KOWALSKI 2016/06/01 CHKD: CHYD APPR: KOJEKSKI 2016/06/15 REVISIONS 1 2 3 4 5 6 7 8 9 10 11 12 13 14 15 16 17 18 19 20	QUALITY SYMBOLS ▽=0 ▽=0 ▽=0	GENERAL TOLERANCES (UNLESS SPECIFIED) mm INCH 4 PLACES ± --- ± --- 3 PLACES ± --- ± --- 2 PLACES ± 0.10 ± --- 1 PLACE ± 0.20 ± --- 0 PLACE ± 0.50 ± --- ANGULAR ± 3 ° DRAFT WHERE APPLICABLE MUST REMAIN WITHIN DIMENSIONS	DIMENSION STYLE MM ONLY DRAWN BY DATE MYANSLAMBROU 2012/07/13 CHECKED BY DATE VKOSHY 2012/07/19 APPROVED BY DATE VKOSHY 2012/07/24	SCALE 4:1 DESIGN UNITS METRIC THIRD ANGLE PROJECTION	TITLE 1.2MM 1X4, 1X6 BLADE SEALED ASSEMBLY CABLE SEAL molex	MATERIAL NO. SEE BOM DOCUMENT NO. SD-34899-6001	SHEET NO. 2 OF 11
	THIS DRAWING CONTAINS INFORMATION THAT IS PROPRIETARY TO MOLEX INCORPORATED AND SHOULD NOT BE USED WITHOUT WRITTEN PERMISSION						
	SIZE D						
	INCORPORATED AND SHOULD NOT BE USED WITHOUT WRITTEN PERMISSION						

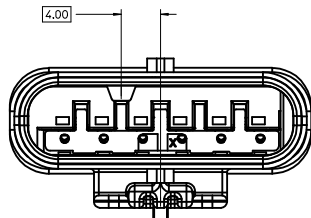
1x6 BLADE SEALED ASSEMBLY KEYING CONFIGURATIONS. FOR PART NUMBERS REFER TO BOM SHEET.



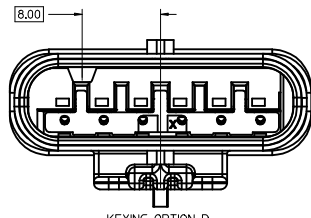
KEYING OPTION A



KEYING OPTION B



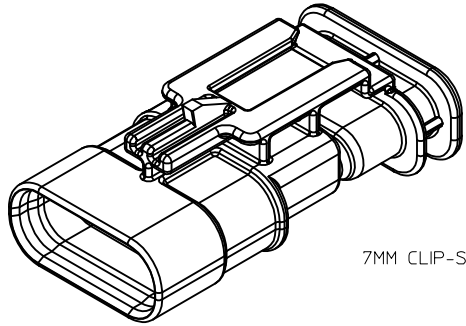
KEYING OPTION C



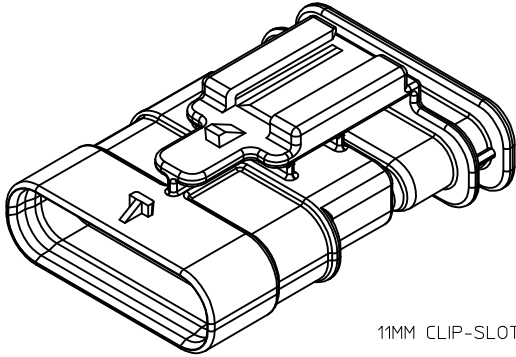
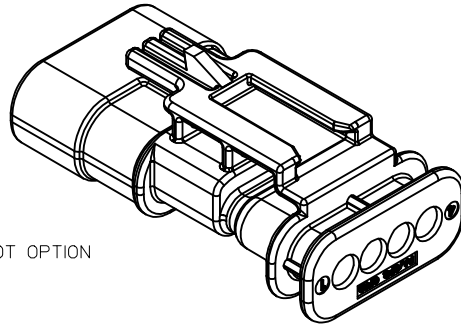
KEYING OPTION D

ENTER DESCRIPTION EC NO: UAU2016-1803 DRAWN: KOWALSKI 2016/06/01 CHKD: B15 APPR: KOJEKSKI 2016/06/15	QUALITY SYMBOLS ▽=0 ▽=0 ▽=0	GENERAL TOLERANCES (UNLESS SPECIFIED)		DIMENSION STYLE MM ONLY	SCALE 4:1	DESIGN UNITS METRIC	THIRD ANGLE PROJECTION		
		4 PLACES ± --- ± ---	3 PLACES ± --- ± ---	2 PLACES ± 0.10 ± ---	1 PLACE ± 0.20 ± ---	0 PLACE ± 0.50 ± ---	DRAWN BY MYANSLAMBROU 2012/07/13	DATE	TITLE 12MM 1X4, 1X6 BLADE SEALED ASSEMBLY CABLE SEAL
		ANGULAR ± 3 °		DRAFT WHERE APPLICABLE MUST REMAIN WITHIN DIMENSIONS		MATERIAL NO. SEE BOM	APPROVED BY VKOSHY 2012/07/19	DATE	DOCUMENT NO. SD-34899-6001
		SIZE D		THIS DRAWING CONTAINS INFORMATION THAT IS PROPRIETARY TO MOLEX INCORPORATED AND SHOULD NOT BE USED WITHOUT WRITTEN PERMISSION					

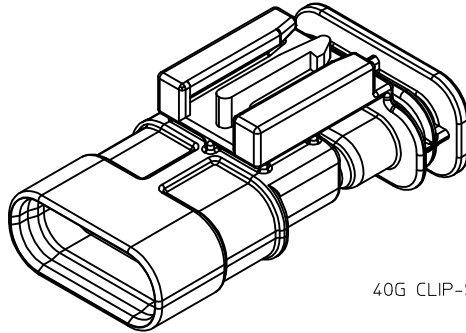
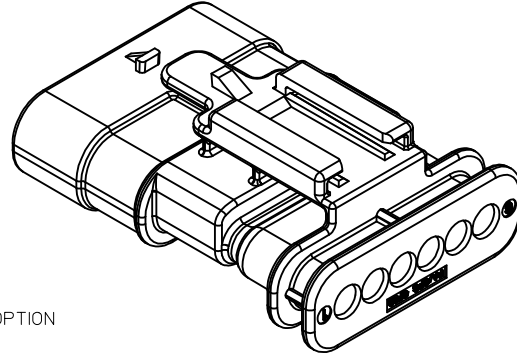
CLIP-SLOT CONFIGURATIONS. FOR PART NUMBERS REFER TO BOM SHEET.



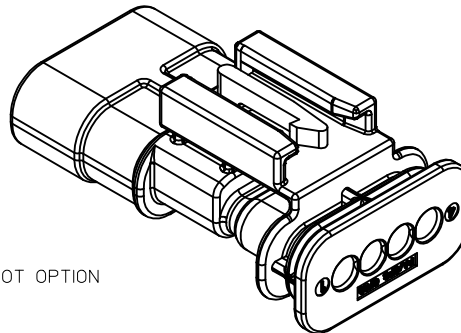
7MM CLIP-SLOT OPTION



11MM CLIP-SLOT OPTION

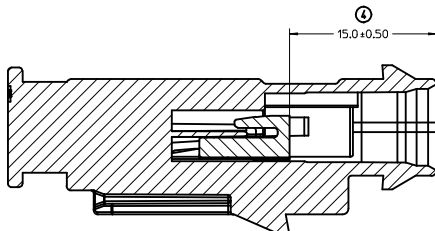
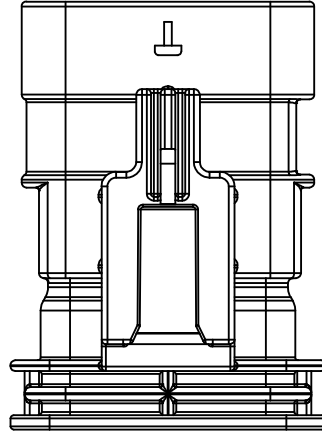
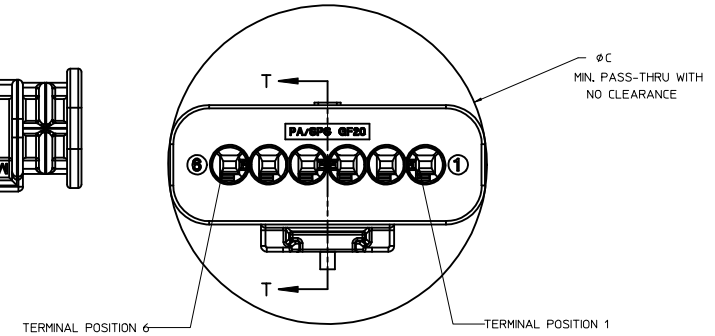
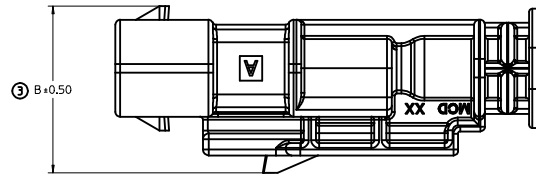
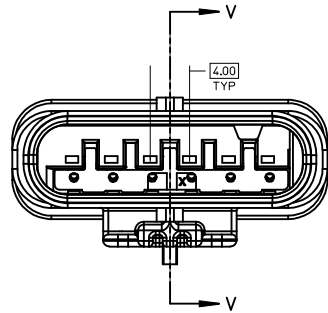
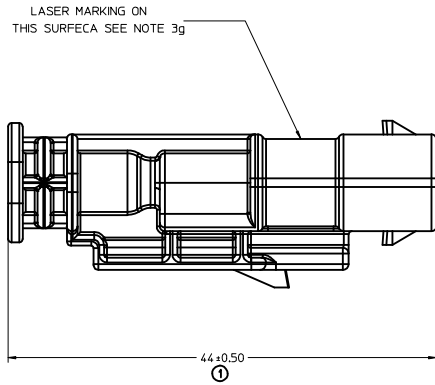


40G CLIP-SLOT OPTION



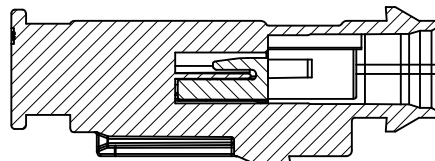
ENTER DESCRIPTION EC NO: UAU2016-1803 DRAWN BY: KOWALSKI CHKD: APPR: KIEGSKI 2016/06/01 2016/06/15	QUALITY SYMBOLS	GENERAL TOLERANCES (UNLESS SPECIFIED)		DIMENSION STYLE	SCALE	DESIGN UNITS	THIRD ANGLE PROJECTION
	▽=0	mm	INCH	MM ONLY	4:1	METRIC	☉
	▽=0	4 PLACES ± ---	± ---	DRAWN BY: MYANSLAMBROU		DATE: 2012/07/13	TITLE: 12MM 1X4, 1X6 BLADE SEALED ASSEMBLY CABLE SEAL
	▽=0	3 PLACES ± 0.10	± ---	CHECKED BY: VKOSHY		DATE: 2012/07/19	molex
	1 PLACE ± 0.20	± ---	ANGULAR ± 3 °	APPROVED BY: VKOSHY		DATE: 2012/07/24	DOCUMENT NO. SD-34899-6001
	0 PLACE ± 0.50	±	DRAFT WHERE APPLICABLE MUST REMAIN WITHIN DIMENSIONS	MATERIAL NO. SEE BOM			SHEET NO. 4 OF 11
				THIS DRAWING CONTAINS INFORMATION THAT IS PROPRIETARY TO MOLEX INCORPORATED AND SHOULD NOT BE USED WITHOUT WRITTEN PERMISSION			

BLADE SEALED ASSEMBLY



SECTION V-V

PRIMARY LOCK REINFORCEMENT (PLR) SHOWN IN THE PRE-STAGED POSITION



SECTION T-T

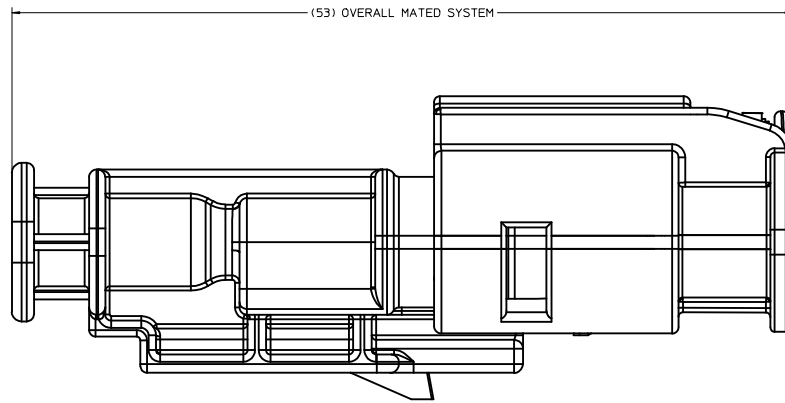
PRIMARY LOCK REINFORCEMENT (PLR) SHOWN IN THE FINAL-LOCK POSITION

1x6 BLADE SEALED ASSEMBLY, 40G CLIP SLOT	17.5	32.75
1x6 BLADE SEALED ASSEMBLY, 11mm CLIP SLOT	16	32.75
1x6 BLADE SEALED ASSEMBLY, 7mm CLIP SLOT	17.25	32.75
1x4 BLADE SEALED ASSEMBLY, 40G CLIP SLOT	17.5	25.25
1x4 BLADE SEALED ASSEMBLY, 11mm CLIP SLOT	16	24.75
1x4 BLADE SEALED ASSEMBLY, 7mm CLIP SLOT	17.25	24.75
CONFIGURATION	B	C

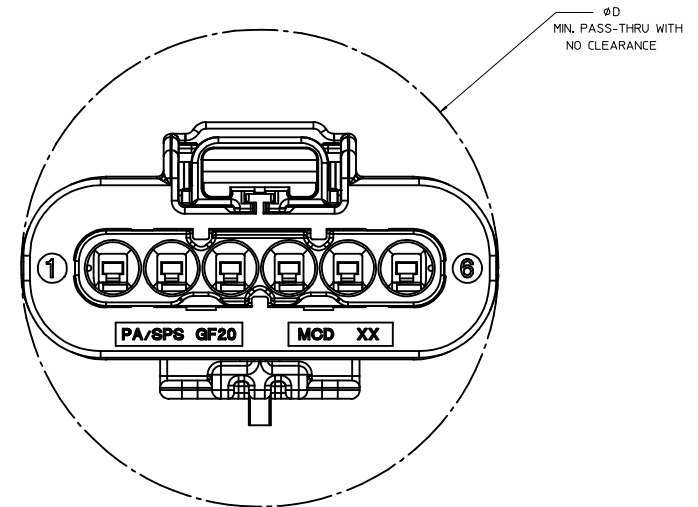
CHARTED DIMENSIONS

ENTER DESCRIPTION EC NO. UAU2016-1803 DRAWN: KOKALSKY 2016/06/01 CHKD: APPR: KOKOSKI 2016/06/15	QUALITY SYMBOLS	GENERAL TOLERANCES (UNLESS SPECIFIED)	DIMENSION STYLE	SCALE	DESIGN UNITS	THIRD ANGLE PROJECTION	
	∇=0 ∇=0 ∇=0	mm INCH 4 PLACES ± --- ± --- 3 PLACES ± --- ± --- 2 PLACES ± 0.10 ± --- 1 PLACE ± 0.20 ± --- 0 PLACE ± 0.50 ±	MM ONLY	4:1	METRIC	DRAWN BY DATE MYANSLAMBROU 2012/07/13 CHECKED BY DATE VKOSHY 2012/07/19 APPROVED BY DATE VKOSHY 2012/07/24	TITLE 12MM 1X4, 1X6 BLADE SEALED ASSEMBLY CABLE SEAL
	ANGULAR ± 3 ° DRAFT WHERE APPLICABLE MUST REMAIN WITHIN DIMENSIONS	MATERIAL NO.	SEE BOM	DOCUMENT NO.	SD-34899-6001	SHEET NO.	5 OF 11
	SIZE D THIS DRAWING CONTAINS INFORMATION THAT IS PROPRIETARY TO MOLEX INCORPORATED AND SHOULD NOT BE USED WITHOUT WRITTEN PERMISSION						

CONNECTION SYSTEM PACKAGING



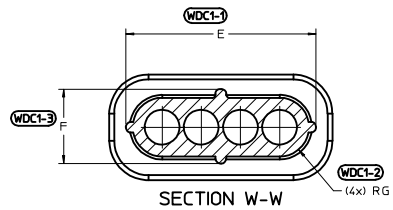
MODEL USED 'AM-120-S-006-1-Z01'



1x6 RECEPTACLE MATED TO 1x6 BLADE, 40 CLIP SLOT	TBD
1x6 RECEPTACLE MATED TO 1x6 BLADE, 11mm CLIP SLOT	33.5
1x6 RECEPTACLE MATED TO 1x6 BLADE, 7mm CLIP SLOT	33.5
1x4 RECEPTACLE MATED TO 1x4 BLADE, 40G CLIP SLOT	25.50
1x4 RECEPTACLE MATED TO 1x4 BLADE, 11mm CLIP SLOT	25.50
1x4 RECEPTACLE MATED TO 1x4 BLADE, 7mm CLIP SLOT	25.50
1.2mm CONNECTION SYSTEM CONFIGURATION	D

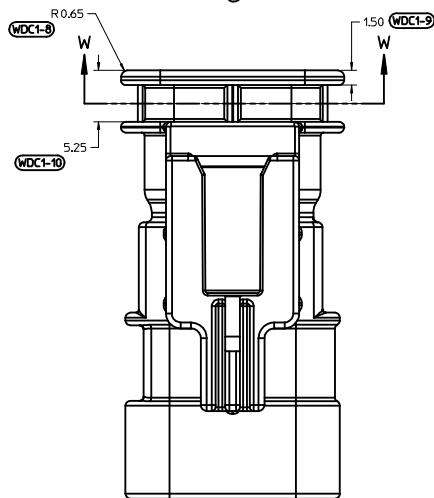
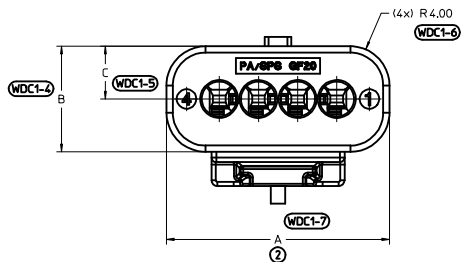
CHARTED DIMENSIONS

ENTER DESCRIPTION EC NO: UAU2016-1803 DRAWN BY: DRWIN/KOMALSKY 2016/06/01 CHKD: CHYD APPR: KOEKOGLI 2016/06/15 REV: DESCRIPTION	QUALITY SYMBOLS	GENERAL TOLERANCES (UNLESS SPECIFIED)	DIMENSION STYLE	SCALE	DESIGN UNITS	THIRD ANGLE PROJECTION
	▽=0	mm INCH	MM ONLY	6:1	METRIC	☉
	▽=0	4 PLACES ± --- ± ---	DRAWN BY: MYANSLAMBROU 2012/07/13	DATE	TITLE	12MM 1X4, 1X6 BLADE SEALED ASSEMBLY CABLE SEAL
	▽=0	3 PLACES ± --- ± ---	CHECKED BY: VKOSHY 2012/07/19	DATE	APPROVED BY: VKOSHY 2012/07/24	DATE
	ANGULAR ± 3 °	DRAFT WHERE APPLICABLE MUST REMAIN WITHIN DIMENSIONS	MATERIAL NO. SEE BOM	DOCUMENT NO. SD-34899-6001	SHEET NO. 6 OF 11	
			SIZE D	THIS DRAWING CONTAINS INFORMATION THAT IS PROPRIETARY TO MOLEX INCORPORATED AND SHOULD NOT BE USED WITHOUT WRITTEN PERMISSION		

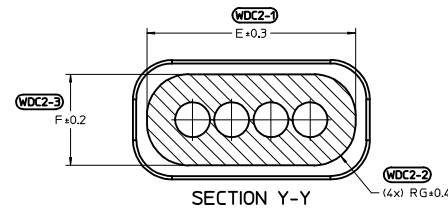


6 CIRCUIT	30.8	10.8	5.4	27.4	7.6	3.0
4 CIRCUIT	22.8	10.8	5.4	19.4	7.6	3.0
CONFIGURATION	A	B	C	E	F	G

CHARTED DIMENSIONS

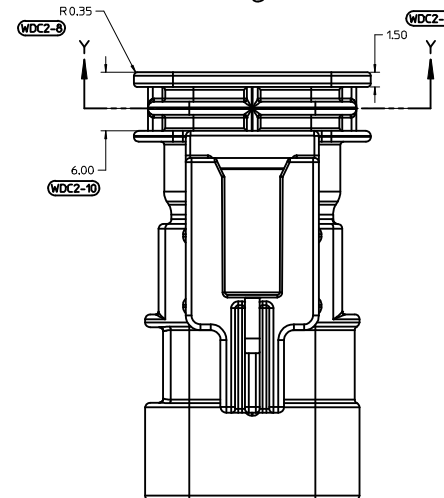
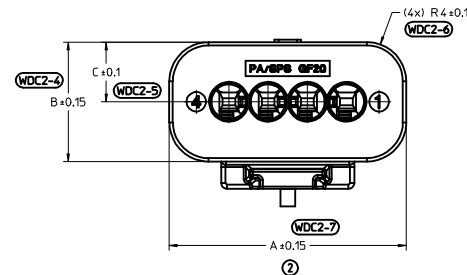


WIRE DRESS COVER
INTERFACE OPTION 1
WIRE DRESS COVERS
NOT AVAILABLE



6 CIRCUIT	32.2	12.2	6.1	29.3	9.3	4.2
4 CIRCUIT	24.2	12.2	6.1	21.3	9.3	4.2
CONFIGURATION	A	B	C	E	F	G

CHARTED DIMENSIONS



WIRE DRESS COVER
INTERFACE OPTION 2
BASED ON HIRSCHMANN INTERFACE
DRAWING 808-012-xxx REV B5

ENTER DESCRIPTION EC NO. UAU2016-1803 DRAWN BY: KOWALSKI CHKD: APPR: KOWALSKI DATE: 2016/06/15	QUALITY SYMBOLS ∇=0 ∇=0 ∇=0	GENERAL TOLERANCES (UNLESS SPECIFIED)		DIMENSION STYLE MM ONLY	SCALE 4:1	DESIGN UNITS METRIC	THIRD ANGLE PROJECTION
		4 PLACES ± --- ± --- 3 PLACES ± --- ± --- 2 PLACES ± 0.10 ± --- 1 PLACE ± 0.20 ± --- 0 PLACE ± 0.50 ±	mm INCH	DRAWN BY: MYANSLAMBROU DATE: 2012/07/13	TITLE: 12MM 1X4, 1X6 BLADE SEALED ASSEMBLY CABLE SEAL		
		ANGULAR ± 3 ° DRAFT WHERE APPLICABLE MUST REMAIN WITHIN DIMENSIONS	APPROVED BY: VKOSHY DATE: 2012/07/19	APPROVED BY: VKOSHY DATE: 2012/07/24	MATERIAL NO. SEE TABLE DOCUMENT NO. SD-34899-6001		
		SHEET NO. 7 OF 11					

THIS DRAWING CONTAINS INFORMATION THAT IS PROPRIETARY TO MOLEX INCORPORATED AND SHOULD NOT BE USED WITHOUT WRITTEN PERMISSION

TABLE OF CONTENTS

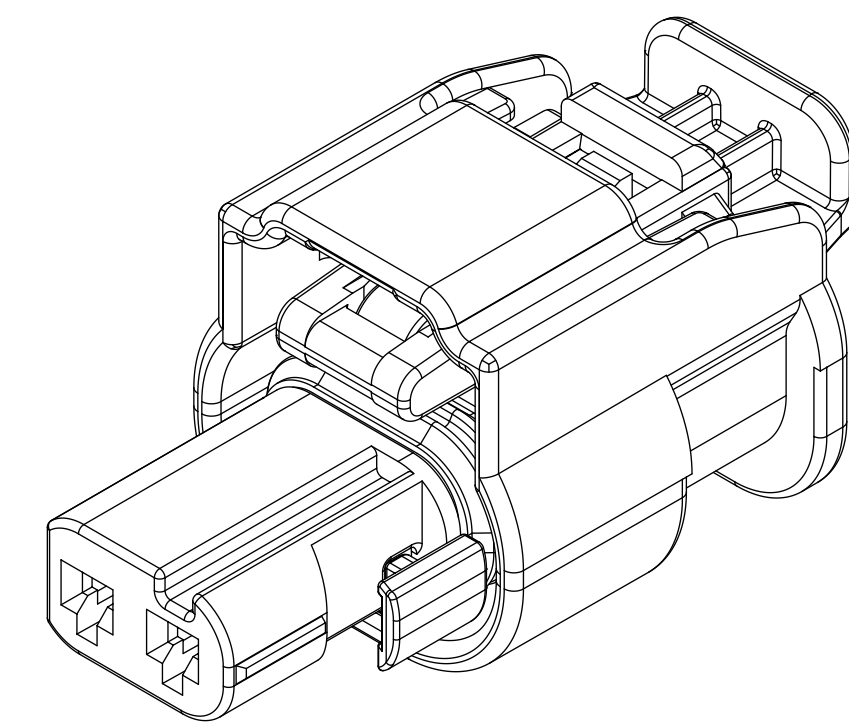
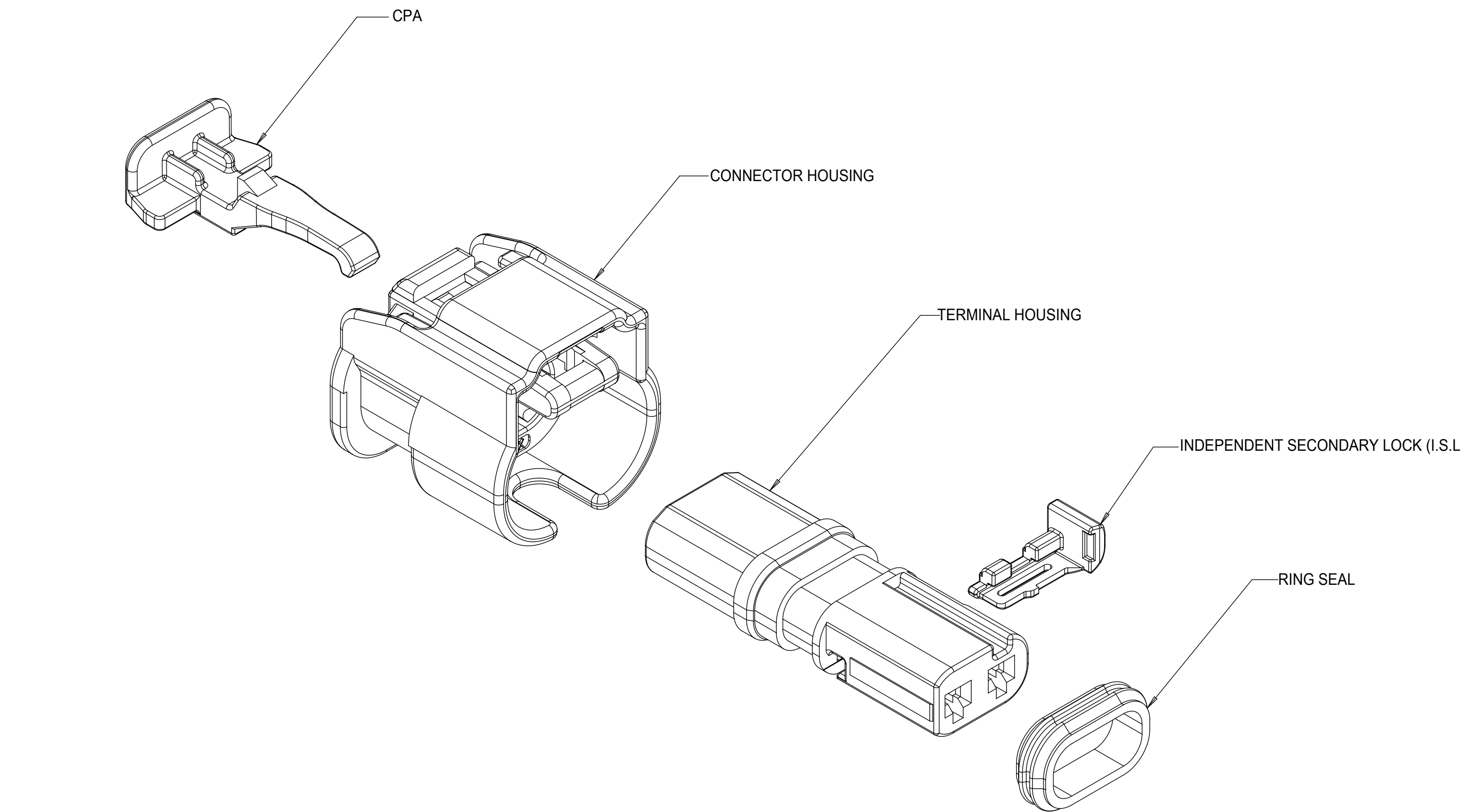
SHEET NO.	SHEET DESCRIPTION
1	NOTES
2	1x2 RECEPTACLE SEALED ASSEMBLY KEYING CONFIGURATIONS
3	1x3 RECEPTACLE SEALED ASSEMBLY KEYING CONFIGURATIONS
4	RECEPTACLE SEALED ASSEMBLY
5	1x2 RECEPTACLE SEALED ASSEMBLY BOM SHEET 1
6	1x3 RECEPTACLE SEALED ASSEMBLY BOM SHEET 1

NOTES: VALID UNLESS OTHERWISE SPECIFIED

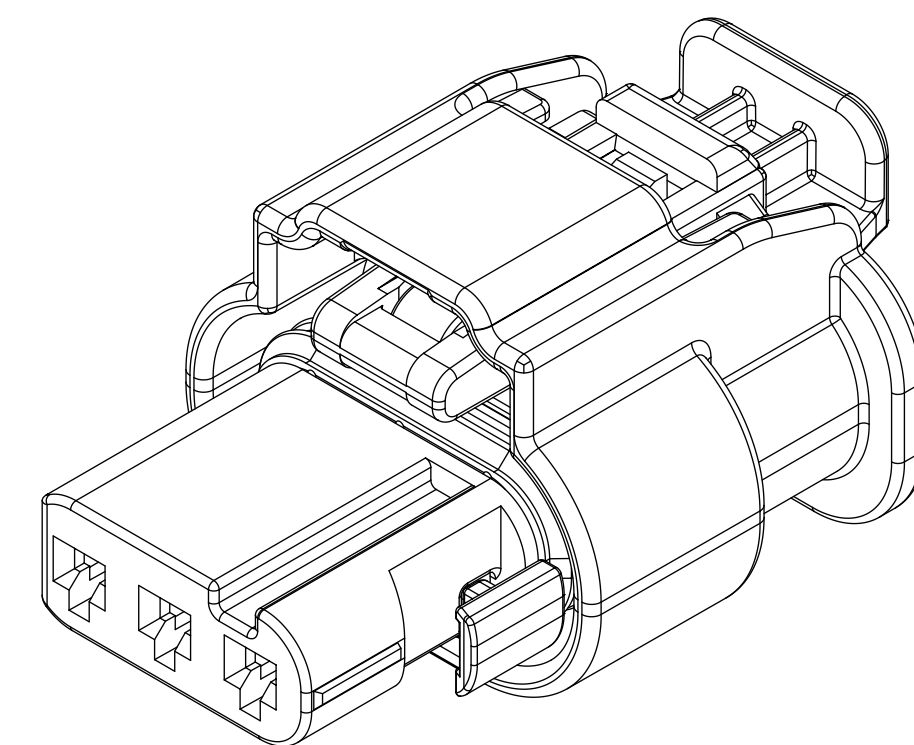
1. GENERAL:
 - a. APPLICATION SPECIFICATION SEE: AS-34900-0001
CONTAINS: PRODUCT INTRODUCTION, PRODUCT SUMMARY, CONNECTOR ASSEMBLY, PACKAGING INFORMATION, CONNECTOR MATING, SERVICE INSTRUCTIONS, ELECTRICAL CONTINUITY CHECKING, CRIMPING, AND TROUBLESHOOTING.
 - b. PRODUCT SPECIFICATION SEE: PS-34900-0001
CONTAINS: PRODUCT INTRODUCTION, PRODUCT SUMMARY, RATINGS (CURRENT, TEMPERATURE, SEALING, AND FLAMMABILITY), AND PRODUCT VALIDATION.
 - c. PACKAGING SPECIFICATION PER MOLEX DRAWING: PK-31301-898
 - d. PARTS MUST BE IN COMPLIANCE TO MOLEX CHEMICAL SUBSTANCES FOR PRODUCTS AND PACKAGING SPECIFICATION: ES-40000-5016
 - e. DATA MUST BE SUBMITTED UNDER THE MOLEX PART NUMBER TO IMDS (COMPANY ID#13255)
 - f. DESIGNED TO MATE WITH DEVICE CONNECTION AS SPECIFIED IN BOM CHART
USCAR DRAWINGS AND MODELS ARE AVAILABLE AT <http://ewcap.uscarteams.org/>.

2. DESIGN - MATERIALS:
 - a. SEE BOM TABLE

3. DESIGN - GEOMETRY:
 - a. THIS IS A 100% CAD GENERATED PART. THE CAD MATHEMATICAL DATA IS THE MASTER FOR THIS PART. FOR DIMENSIONAL OR ANY INFORMATION NOT SHOWN ON THIS DRAWING, ANALYZE THE CAD MODEL.
 - b. GEOMETRIC DIMENSIONS AND TOLERANCES PER ASME Y14.5M - 1994
 - c. EDGES AND UNDIMENSIONED DETAILS PER ISO13715
 - d. CORNERS SHOWN AS SHARP TO BE R 0.2 MAX.
 - e. LETTERING SHALL BE 0.15 MAX RAISED IN 0.25 MAX RECESS PAD.
THIS INCLUDES RECYCLING CODE, CAVITY ID, VENDOR IDENTIFICATION, AND CUSTOMER MATERIAL NUMBER.
 - f. VISUAL DEFECTS SHALL MEET COSMETIC STANDARD PS-45499-002 (Class B)
 - g. LASER MARKING:
 1. PART NUMBER
 2. DAY OF THE YEAR
 3. SHIFT
 4. YEAR



1x2 RECEPTACLE SEALED ASSEMBLY

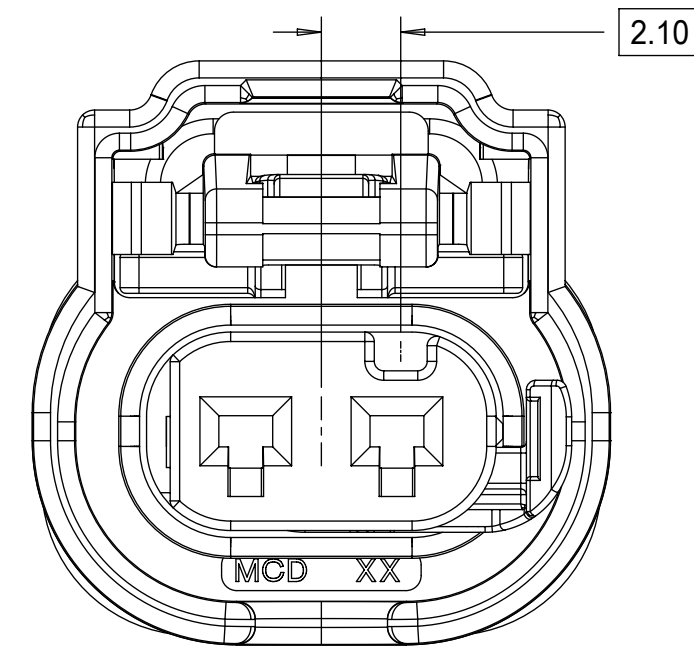


1x3 RECEPTACLE SEALED ASSEMBLY

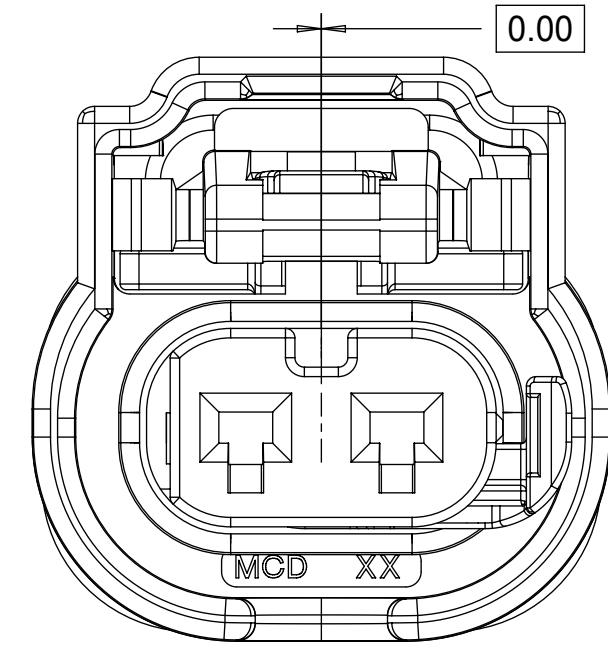
C1	- NX-REMASTERING FROM MODEL MANAGER - 1X2 KEY C MADE SALEABLE
C	34900-3127 RELEASED AS SALEABLE
B	PRIMARY KEYS (A,B) MOVED TO SALEABLE
A10	ADDED 1X3 SEVERE VIBRATION PART NUMBER
A9	1X2 AND 1X3 PART # UPDATED DIMENSION 2 UPDATED
A8	1X2 PART # UPDATED TO "TOOLED BUT NOT VALIDATED"
A7	1X2 PART # UPDATED TO "TOOLED BUT NOT VALIDATED"
A6	ADDED NEW PART NUMBERS FOR LATCH IMPROVEMENT
A5	BOM CORRECTIONS AND UPDATES
A4	BOM CORRECTIONS AND UPDATES
A3	1x2, 1x3 NON-SIR OK TO TOOL
A2	MINOR BOM CORRECTIONS
A1	ADDED COMPONENTS TO BOM
A	ADDED BLACK PART NUMBERS AND MINOR BOM UPDATES
3	ADDED 1x3
2	MINOR BOM CORRECTIONS
1	INITIAL RELEASE
REV	DESCRIPTION

QUALITY SYMBOLS	THIS DRAWING CONTAINS INFORMATION THAT IS PROPRIETARY TO MOLEX ELECTRONIC TECHNOLOGIES, LLC AND SHOULD NOT BE USED WITHOUT WRITTEN PERMISSION		DIMENSION UNITS		SCALE
▽ = 0	2017/04/20	2017/06/06	GENERAL TOLERANCES (UNLESS SPECIFIED)		MM
▽ = 0			ANGULAR TOL ± 3.0 °		
▽ = 0			4 PLACES ±	DRWN BY	DATE
▽ = 0			3 PLACES ±	MVANSLAMBROU	2012/02/15
▽ = 0			2 PLACES ± 0.1	CHKD BY	DATE
▽ = 0			1 PLACE ± 0.2	APPR BY	DATE
▽ = 0			0 PLACES ± 0.5	GGA	2012/12/13
▽ = 0			DRAFT WHERE APPLICABLE MUST REMAIN WITHIN DIMENSIONS	DRAWING SIZE	THIRD ANGLE PROJECTION
▽ = 0				D	
			SERIES		MATERIAL NUMBER
			34900		SEE TABLE
			CUSTOMER		GENERAL MARKET
			DOCUMENT NUMBER		DOC TYPE
			SD-34900-2001		PSD
			DOC PART		SHEET NUMBER
			001		1 OF 6

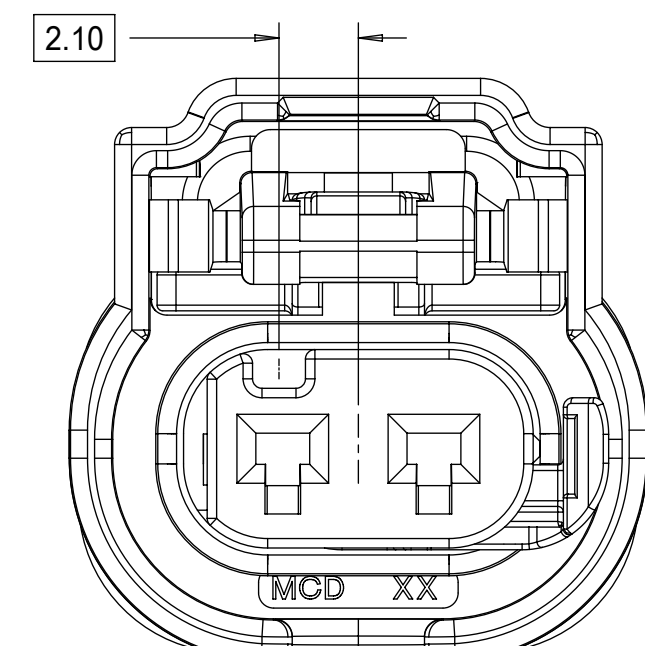
1x2 RECEPTACLE SEALED ASSEMBLY KEYING CONFIGURATIONS. FOR PART NUMBERS REFER TO BOM SHEET.



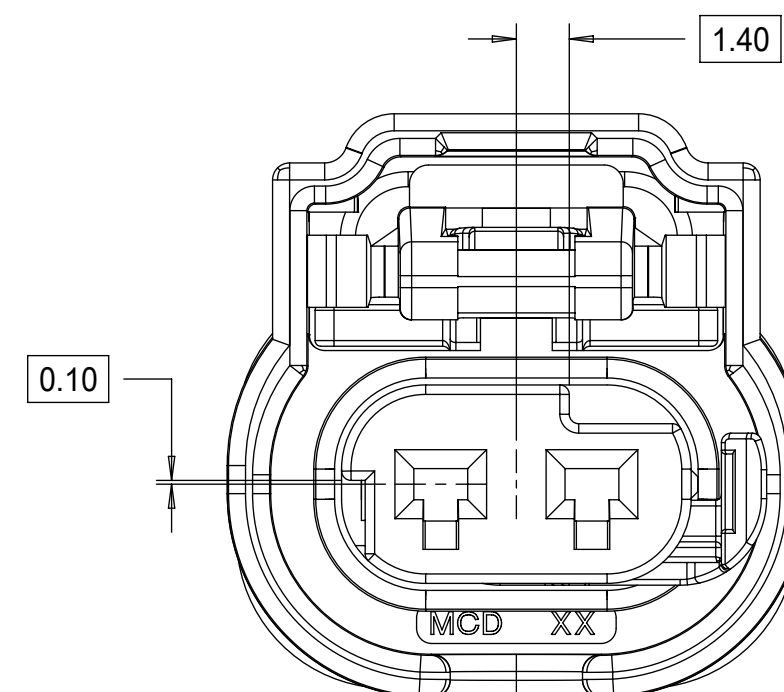
KEYING OPTION A



KEYING OPTION B



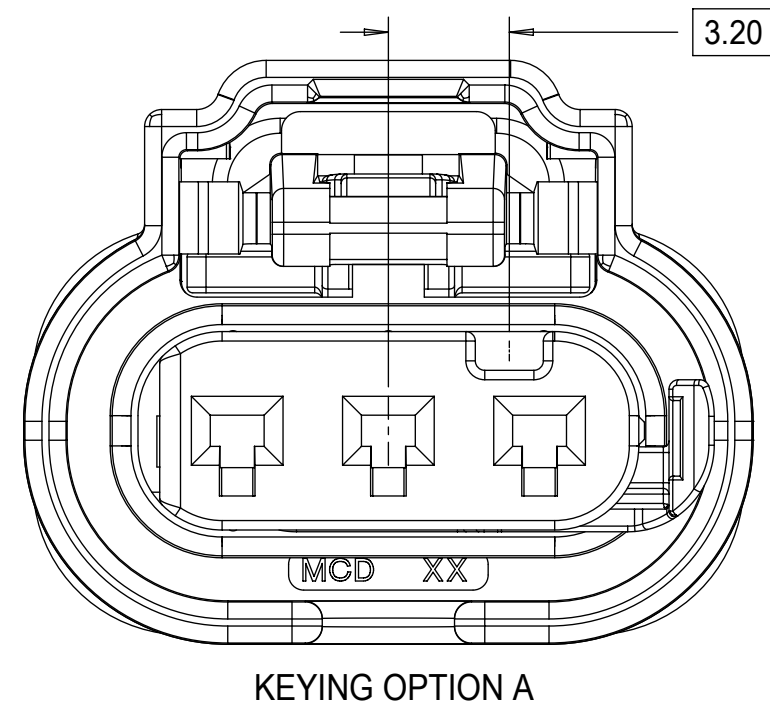
KEYING OPTION C



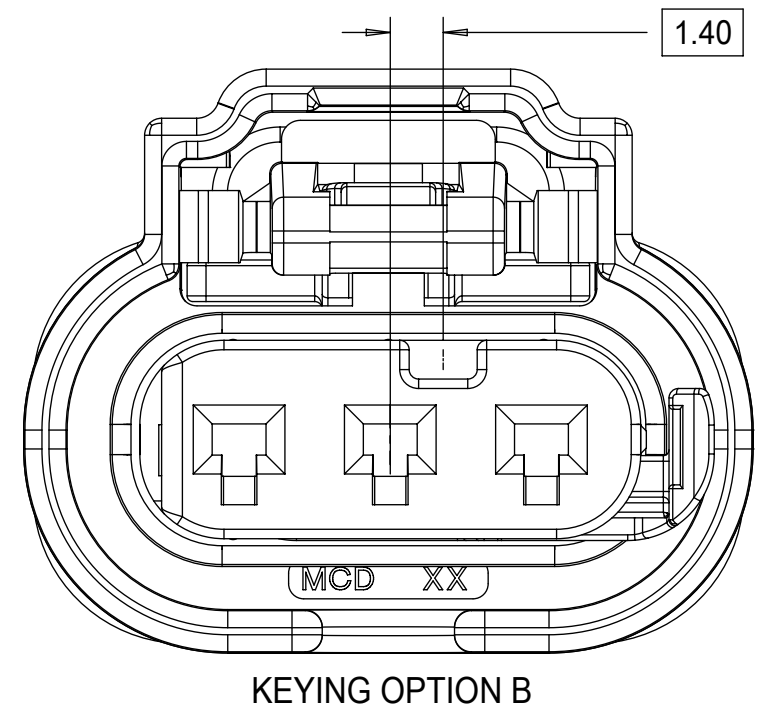
KEYING OPTION E

QUALITY SYMBOLS □ = 0 ▽ = 0 ▽ = 0 ▽ = 0 ▽ = 0 ▽ = 0 ▽ = 0 ▽ = 0 ▽ = 0 ▽ = 0	THIS DRAWING CONTAINS INFORMATION THAT IS PROPRIETARY TO MOLEX ELECTRONIC TECHNOLOGIES, LLC AND SHOULD NOT BE USED WITHOUT WRITTEN PERMISSION									
	2017/04/20	2017/06/06	GENERAL TOLERANCES (UNLESS SPECIFIED)		DIMENSION UNITS	SCALE				
			ANGULAR TOL ± 3.0 °		MM	5:1				
	EC NO: 117704 DRWN: VYARAPPA CHKD: REV APPR: KDEKOSKI	4 PLACES ±		DRWN BY	DATE	1.2MM 1X2, 1X3 RECPT. SEALED ASSEMBLY CABLE SEAL				
		3 PLACES ±		MVANSLAMBROU	2012/02/15					
		2 PLACES ± 0.1		CHKD BY	DATE					
		1 PLACE ± 0.2		APPR BY	DATE					
		0 PLACES ± 0.5		GGA	2012/12/13					
	DRAFT WHERE APPLICABLE MUST REMAIN WITHIN DIMENSIONS		DRAWING SIZE	THIRD ANGLE PROJECTION	SERIES	MATERIAL NUMBER	CUSTOMER			
			D		34900	SEE BOM	GENERAL MARKET			
				DOCUMENT NUMBER	DOC TYPE	DOC PART	SHEET NUMBER			
				SD-34900-2001	PSD	001	2 OF 6			

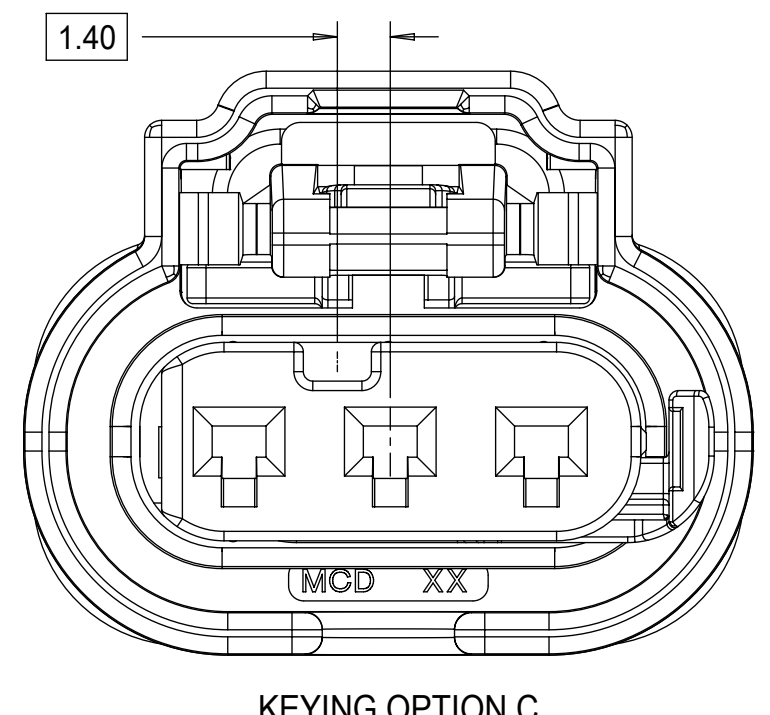
1x3 RECEPTACLE SEALED ASSEMBLY KEYING CONFIGURATIONS. FOR PART NUMBERS REFER TO BOM SHEET.



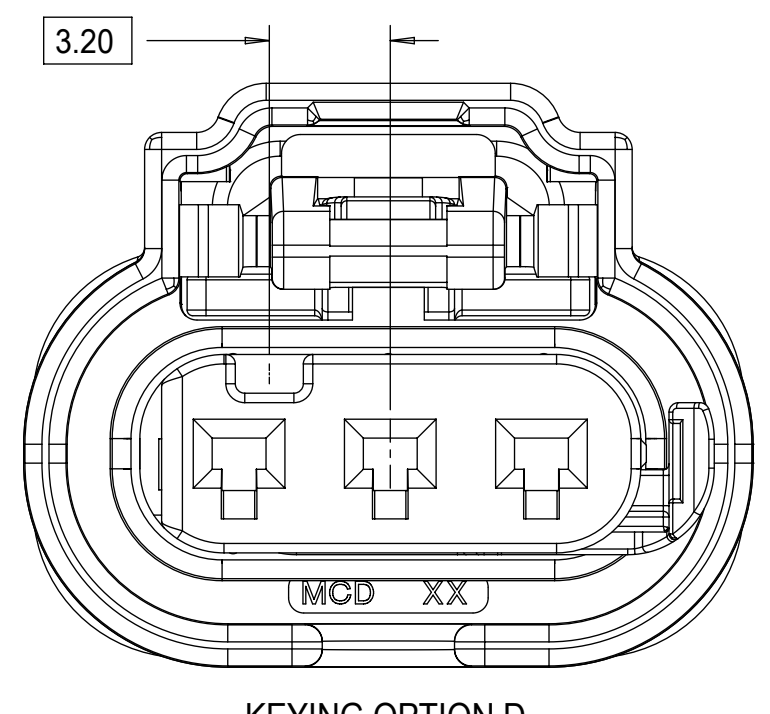
KEYING OPTION A



KEYING OPTION B

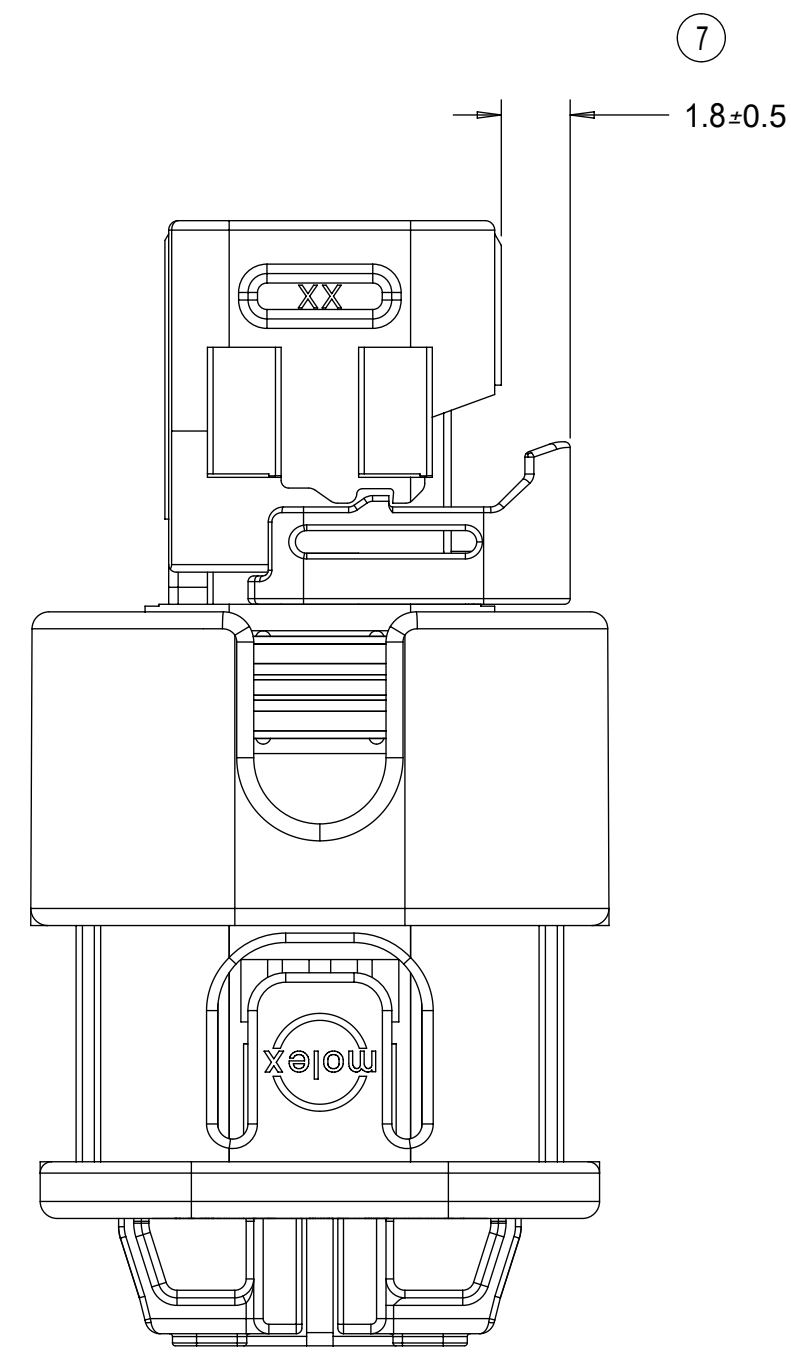
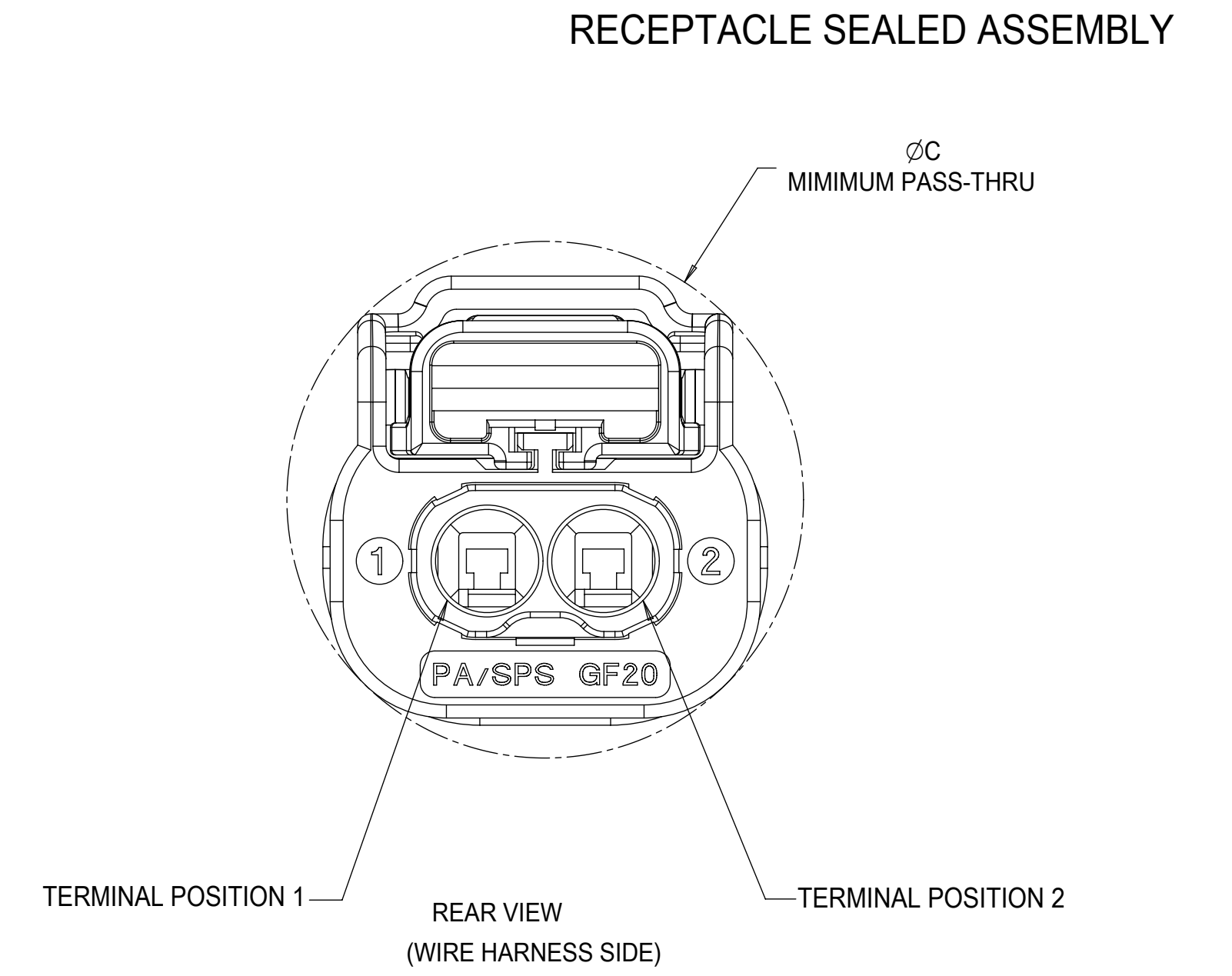
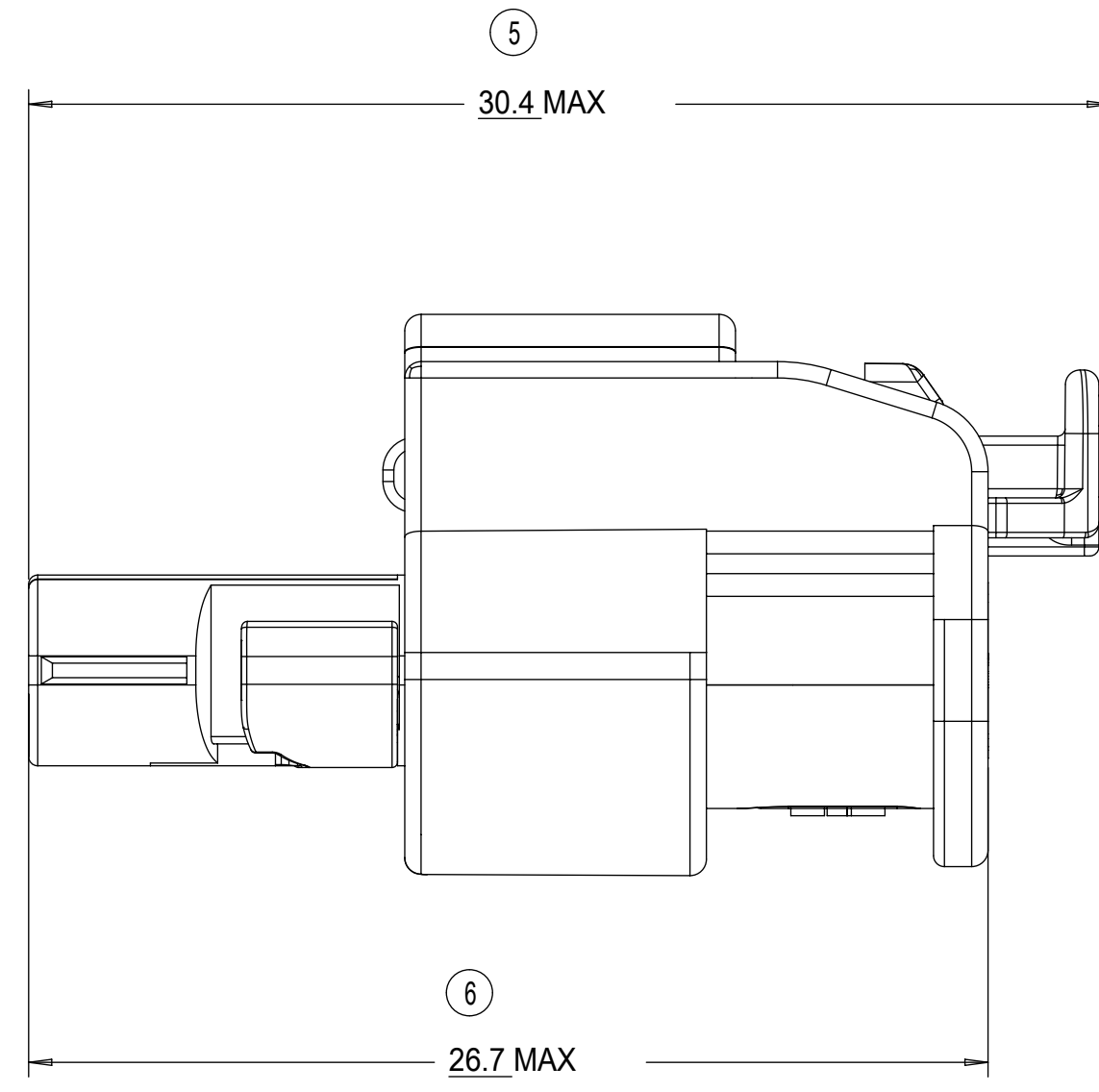
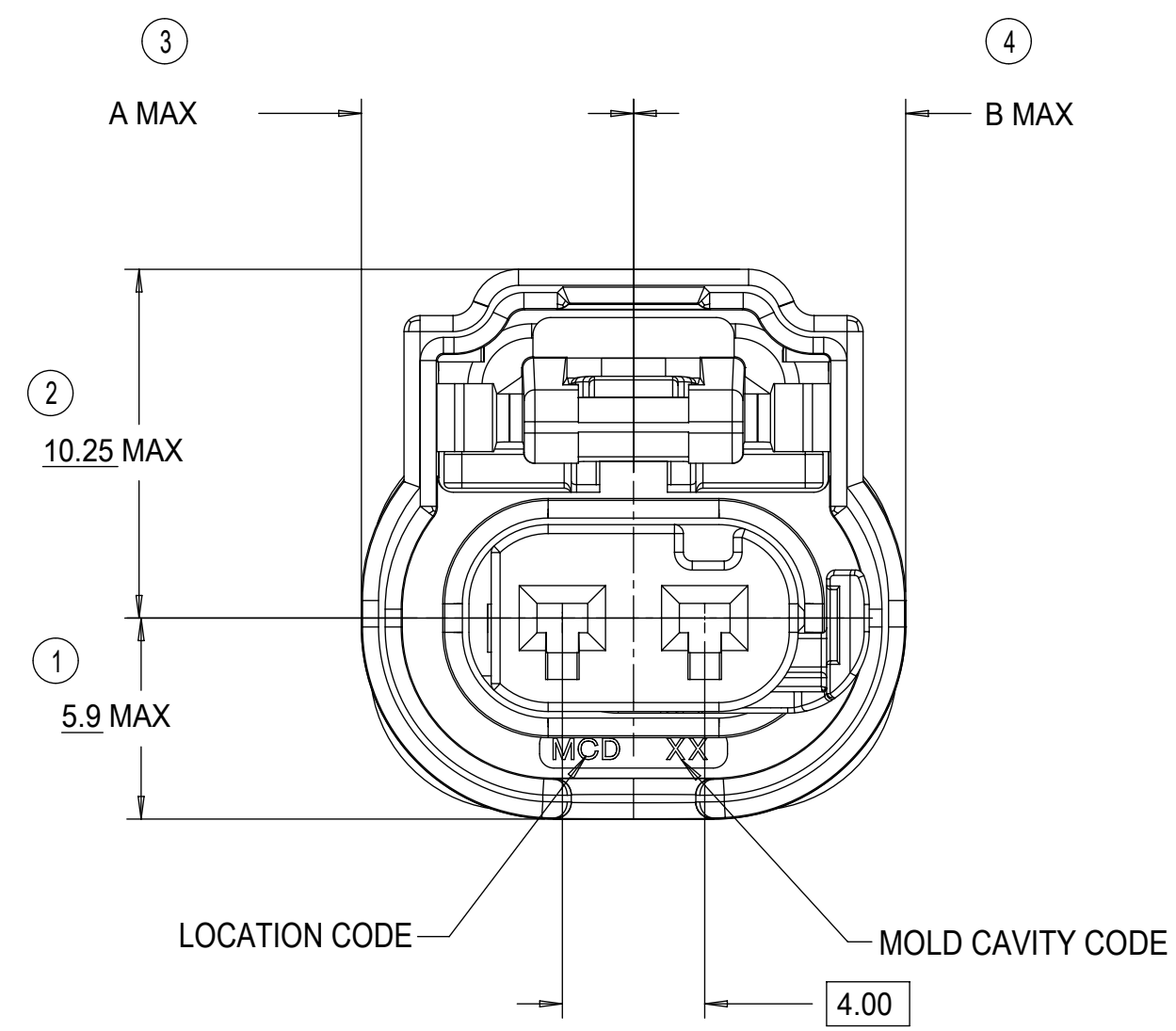
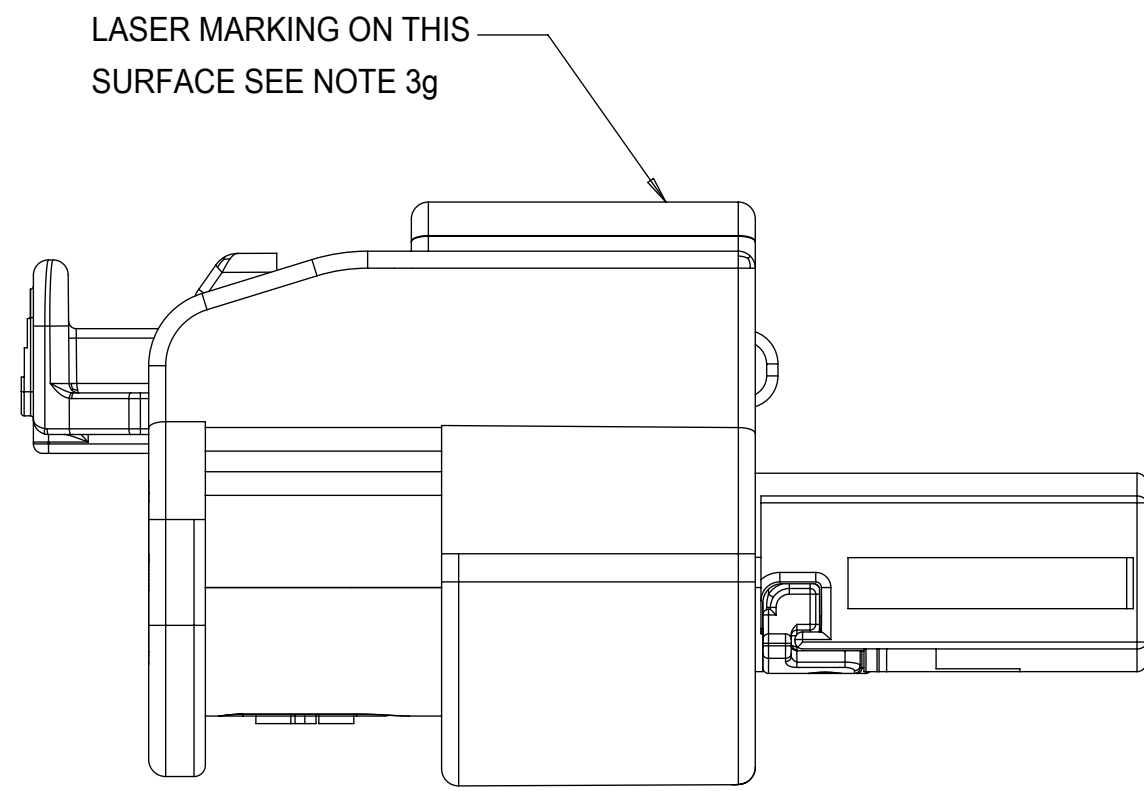


KEYING OPTION C

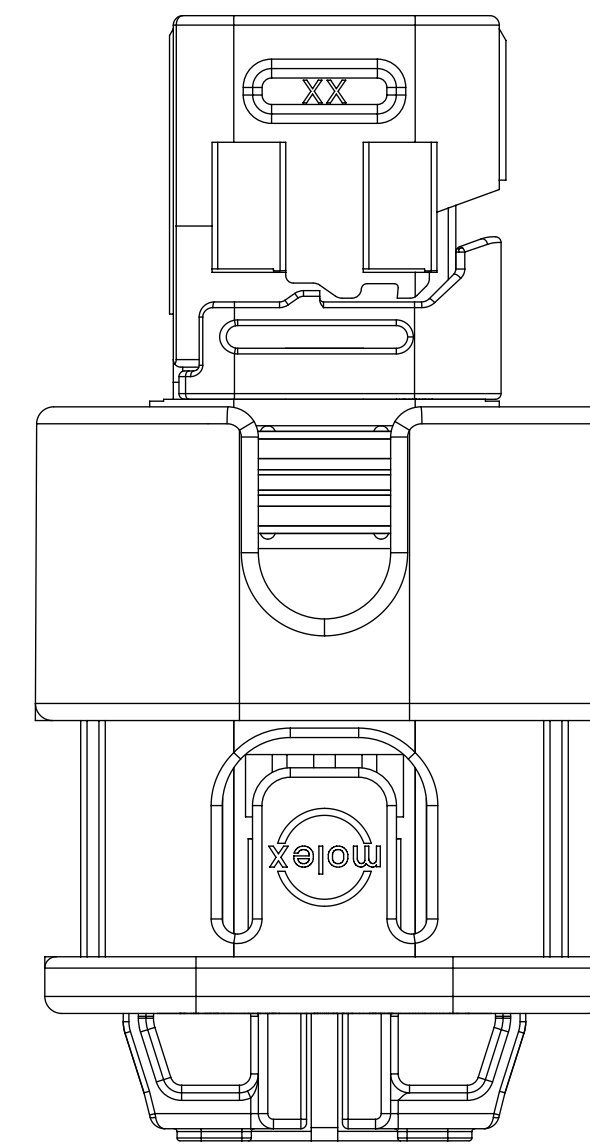


KEYING OPTION D

QUALITY SYMBOLS ▽ = 0 ▽ = 0 ▽ = 0 ▽ = 0 ▽ = 0 ▽ = 0 ▽ = 0 ▽ = 0 ▽ = 0		THIS DRAWING CONTAINS INFORMATION THAT IS PROPRIETARY TO MOLEX ELECTRONIC TECHNOLOGIES, LLC AND SHOULD NOT BE USED WITHOUT WRITTEN PERMISSION		GENERAL TOLERANCES (UNLESS SPECIFIED) ANGULAR TOL ± 3.0 ° 4 PLACES ± 3 PLACES ± 2 PLACES ± 0.1 1 PLACE ± 0.2 0 PLACES ± 0.5 DRAFT WHERE APPLICABLE MUST REMAIN WITHIN DIMENSIONS		DIMENSION UNITS: MM SCALE: 5:1 DRWN BY: MVANSLAMBROU DATE: 2012/02/15 CHKD BY: DATE: APPR BY: GGA DATE: 2012/12/13		molex® 1.2MM 1X2, 1X3 RECPT. SEALED ASSEMBLY CABLE SEAL PRODUCT CUSTOMER DRAWING		SERIES: 34900 MATERIAL NUMBER: SEE BOM CUSTOMER: GENERAL MARKET	
EC NO: 117704 DRWN: VYARAPPA CHKD: REV APPR: KDEKOSKI		2017/04/20 2017/06/06		D 		DRAWING SIZE: D THIRD ANGLE PROJECTION		DOCUMENT NUMBER: SD-34900-2001 DOC TYPE: PSD DOC PART: 001 SHEET NUMBER: 3 OF 6		C1	



INDEPENDENT SECONDARY LOCK (ISL)
SHOWN IN THE PRE-STAGED POSITION



INDEPENDENT SECONDARY LOCK (ISL)
SHOWN IN THE FINAL-LOCK POSITION

1x3 RECEPTACLE SEALED ASSEMBLY	10.0	10.0	20.75
1x2 RECEPTACLE SEALED ASSEMBLY	8.0	8.0	18.75
CONFIGURATION	A	B	C

CHARTED DIMENSIONS

QUALITY SYMBOLS 	THIS DRAWING CONTAINS INFORMATION THAT IS PROPRIETARY TO MOLEX ELECTRONIC TECHNOLOGIES, LLC AND SHOULD NOT BE USED WITHOUT WRITTEN PERMISSION									
	2017/04/20	2017/06/06	GENERAL TOLERANCES (UNLESS SPECIFIED)		DIMENSION UNITS	SCALE				
	DRWN BY: YVARAPPA	CHKD: KDEKOSKI	ANGULAR TOL ± 3.0 °		MM	5:1				
	EC NO: 117704	REV: APPR: KDEKOSKI	4 PLACES ±	3 PLACES ±	2 PLACES ± 0.1	1 PLACE ± 0.2	0 PLACES ± 0.5	DRWN BY: MVANSLAMBROU	DATE: 2012/02/15	CHKD BY:
DRW: YVARAPPA	CHKD: KDEKOSKI	DRAFT WHERE APPLICABLE MUST REMAIN WITHIN DIMENSIONS	APPR BY: GGA	DATE: 2012/12/13	DRAWING SIZE: D	THIRD ANGLE PROJECTION	SERIES: 34900	MATERIAL NUMBER: SEE BOM	CUSTOMER: GENERAL MARKET	PRODUCT CUSTOMER DRAWING
RELEASE STATUS: P1	RELEASE DATE: 06.06.2017	17:35:25	DOCUMENT NUMBER: SD-34900-2001	DOC TYPE: PSD	DOC PART: 001	SHEET NUMBER: 4 OF 6				

1X2 RECEPTACLE SEALED ASSEMBLY BOM SHEET 1

KEYING OPTION E, BLACK	34900-2123	-40 TO 155	4				CHB			E	TOOLED BUT NOT VALIDATED		1	2	3	
KEYING OPTION C, BLACK	34900-2122	-40 TO 155	4				CHB			C	SALEABLE		1	2	3	
KEYING OPTION B, BLACK	34900-2121	-40 TO 155	4				CHB		B		SALEABLE		1	2	3	
KEYING OPTION A, BLACK	34900-2120	-40 TO 155	4				CHB		A		SALEABLE		1	2	3	
KEYING OPTION E, YELLOW	34900-2104	-40 TO 125	2				CHY			E	TOOLED BUT NOT VALIDATED		1	2	3	
KEYING OPTION C, YELLOW	34900-2103	-40 TO 125	2				CHY			C	SALEABLE		1	2	3	
KEYING OPTION B, YELLOW	34900-2102	-40 TO 125	2				CHY		B		SALEABLE		1	2	3	
KEYING OPTION A, YELLOW	34900-2101	-40 TO 125	2				CHY		A		SALEABLE		1	2	3	
KEYING OPTION E, BLACK	34900-2023	-40 TO 125	2				CHB			E	OBSOLETE		1	2	3	
KEYING OPTION C, BLACK	34900-2022	-40 TO 125	2				CHB			C	OBSOLETE		1	2	3	
KEYING OPTION B, BLACK	34900-2021	-40 TO 125	2				CHB		B		OBSOLETE		1	2	3	
KEYING OPTION A, BLACK	34900-2020	-40 TO 125	2				CHB		A		OBSOLETE		1	2	3	
KEYING OPTION E, YELLOW	34900-2004	-40 TO 125	2				CHY			E	OBSOLETE		1	2	3	
KEYING OPTION C, YELLOW	34900-2003	-40 TO 125	2				CHY			C	OBSOLETE		1	2	3	
KEYING OPTION B, YELLOW	34900-2002	-40 TO 125	2				CHY		B		SALEABLE		1	2	3	
KEYING OPTION A, YELLOW	34900-2001	-40 TO 125	2				CHY		A		SALEABLE		1	2	3	
ASSEMBLY DESCRIPTION	PART NUMBER	OPERATING TEMPERATURE	VIBRATION CLASS PER GMW3191 DEC. 2007					A	B	C	E	STATUS	COMMENTS	DESIGNED TO MATE WITH DEVICE CONNECTION		

	RING SEAL	BURNT RED	INHERENTLY LUBRICATED SILICONE	
	ISL	NATURAL	SPS/NYLON GF20	
	CPA	RED	PBT GF30	
	TERMINAL HOUSING KEYING OPTION E	STONE GRAY	SPS/NYLON GF20	
	TERMINAL HOUSING KEYING OPTION C	DARK GRAY	SPS/NYLON GF20	
	TERMINAL HOUSING KEYING OPTION B	LT. GRAY	SPS/NYLON GF20	
	TERMINAL HOUSING KEYING OPTION A	BLACK	SPS/NYLON GF20	
	CONNECTOR HOUSING	BLACK	SPS/NYLON GF20	UPDATED LATCH
	CONNECTOR HOUSING	YELLOW	SPS/NYLON GF20	UPDATED LATCH
	CONNECTOR HOUSING	BLACK	SPS/NYLON GF20	
	CONNECTOR HOUSING	YELLOW	SPS/NYLON GF20	
	DESCRIPTION	COLOR	MATERIAL	COMMENTS
BOM / APPLICABLE COMPONENTS TABLE				

ABREVIATION	COMPONENT
CHY	CONNECTOR HOUSING YELLOW
CHB	CONNECTOR HOUSING BLACK
A	TERMINAL HOUSING KEY A
B	TERMINAL HOUSING KEY B
C	TERMINAL HOUSING KEY C
E	TERMINAL HOUSING KEY E
CPA	CPA
ISL	ISL
R	RING SEAL
1	USCAR INTERFACE 120-S-003-1-Z01 SEE NOTE 1f FOR WEBSITE
2	MOLEX INLINE BLADE CONNECTOR E-34899-2001
3	USCAR INTERFACE 120-S-003-1-Z02 SEE NOTE 1f FOR WEBSITE

THIS DRAWING CONTAINS INFORMATION THAT IS PROPRIETARY TO MOLEX ELECTRONIC TECHNOLOGIES, LLC AND SHOULD NOT BE USED WITHOUT WRITTEN PERMISSION											
QUALITY SYMBOLS	2017/04/20	2017/06/06	GENERAL TOLERANCES (UNLESS SPECIFIED)	DIMENSION UNITS	SCALE	molex 1.2MM 1X2, 1X3 RECPT. SEALED ASSEMBLY CABLE SEAL					
	DRWN: VYARAPPA	CHKD: KDEKOSKI	ANGULAR TOL ± 3.0 °	MM	2:1						
	EC NO: 117704	REV: APPR: KDEKOSKI	4 PLACES ±	DRWN BY	DATE						
			3 PLACES ±	MVANSLAMBROU	2012/02/15						
			2 PLACES ± 0.1	CHKD BY	DATE	PRODUCT CUSTOMER DRAWING					
			1 PLACE ± 0.2	APPR BY	DATE						
			0 PLACES ± 0.5	GGA	2012/12/13	SERIES	MATERIAL NUMBER	CUSTOMER			
			DRAFT WHERE APPLICABLE MUST REMAIN WITHIN DIMENSIONS	DRAWING SIZE	THIRD ANGLE PROJECTION	34900	9999999999	GENERAL MARKET			
				D		DOCUMENT NUMBER	DOC TYPE	DOC PART	SHEET NUMBER		
						SD-34900-2001	PSD	001	5 OF 6		

1X3 RECEPTACLE SEALED ASSEMBLY BOM SHEET 1

KEYING OPTION D, STONE GRAY	34900-3127	-40 TO 155	4												CHB								D	SALEABLE		1	2	3
KEYING OPTION C, DARK GRAY	34900-3126	-40 TO 155	4												CHB								C	OK TO TOOL		1	2	3
KEYING OPTION B, LIGHT GRAY	34900-3125	-40 TO 155	4												CHB								B	OK TO TOOL		1	2	3
KEYING OPTION A, BLACK	34900-3124	-40 TO 155	4												CHB								A	SALEABLE		1	2	3
KEYING OPTION D, STONE GRAY	34900-3123	-40 TO 125	2												CHB								D	TOOLED BUT NOT VALIDATED		1	2	3
KEYING OPTION C, DARK GRAY	34900-3122	-40 TO 125	2												CHB								C	TOOLED BUT NOT VALIDATED		1	2	3
KEYING OPTION B, LIGHT GRAY	34900-3121	-40 TO 125	2												CHB								B	SALEABLE		1	2	3
KEYING OPTION A, BLACK	34900-3120	-40 TO 125	2												CHB								A	SALEABLE		1	2	3
KEYING OPTION D, YELLOW	34900-3104	-40 TO 125	2												CHY								D	TOOLED BUT NOT VALIDATED		1	2	3
KEYING OPTION C, YELLOW	34900-3103	-40 TO 125	2												CHY								C	TOOLED BUT NOT VALIDATED		1	2	3
KEYING OPTION B, YELLOW	34900-3102	-40 TO 125	2												CHY								B	SALEABLE		1	2	3
KEYING OPTION A, YELLOW	34900-3101	-40 TO 125	2												CHY								A	SALEABLE		1	2	3
KEYING OPTION D, STONE GRAY	34900-3023	-40 TO 125	2												CHB								D	OBSOLETE		1	2	3
KEYING OPTION C, DARK GRAY	34900-3022	-40 TO 125	2												CHB								C	OBSOLETE		1	2	3
KEYING OPTION B, LIGHT GRAY	34900-3021	-40 TO 125	2												CHB								B	OBSOLETE		1	2	3
KEYING OPTION A, BLACK	34900-3020	-40 TO 125	2												CHB								A	OBSOLETE		1	2	3
KEYING OPTION D, YELLOW	34900-3004	-40 TO 125	2												CHY								D	OBSOLETE		1	2	3
KEYING OPTION C, YELLOW	34900-3003	-40 TO 125	2												CHY								C	OBSOLETE		1	2	3
KEYING OPTION B, YELLOW	34900-3002	-40 TO 125	2												CHY								B	OBSOLETE		1	2	3
KEYING OPTION A, YELLOW	34900-3001	-40 TO 125	2												CHY								A	OBSOLETE		1	2	3
ASSEMBLY DESCRIPTION	PART NUMBER	OPERATING TEMPERATURE	VIBRATION CLASS PER GMW3191 DEC. 2007												A	B	C	D	A	B	C	D		STATUS	COMMENTS	DESIGNED TO MATE WITH DEVICE CONNECTION		

	RING SEAL	LIGHT BLUE	INHERENTLY LUBRICATED SILICONE	
	ISL	NATURAL	SPS/NYLON GF20	
	CPA	RED	PBT GF30	
	TERMINAL HOUSING KEYING OPTION D, V4	STONE GRAY	SPS/NYLON GF20	
	TERMINAL HOUSING KEYING OPTION C, V4	DARK GRAY	SPS/NYLON GF20	
	TERMINAL HOUSING KEYING OPTION B, V4	LT. GRAY	SPS/NYLON GF20	
	TERMINAL HOUSING KEYING OPTION A, V4	BLACK	SPS/NYLON GF20	
	TERMINAL HOUSING KEYING OPTION D	STONE GRAY	SPS/NYLON GF20	
	TERMINAL HOUSING KEYING OPTION C	DARK GRAY	SPS/NYLON GF20	
	TERMINAL HOUSING KEYING OPTION B	LT. GRAY	SPS/NYLON GF20	
	TERMINAL HOUSING KEYING OPTION A	BLACK	SPS/NYLON GF20	
	CONNECTOR HOUSING	BLACK	SPS/NYLON GF20	UPDATED LATCH
	CONNECTOR HOUSING	YELLOW	SPS/NYLON GF20	UPDATED LATCH
	CONNECTOR HOUSING	BLACK	SPS/NYLON GF20	
	CONNECTOR HOUSING	YELLOW	SPS/NYLON GF20	
DESCRIPTION	COLOR	MATERIAL	COMMENTS	

BOM / APPLICABLE COMPONENTS TABLE

LEGEND TABLE

ABBREVIATION	COMPONENT
CHY	CONNECTOR HOUSING YELLOW
CHB	CONNECTOR HOUSING BLACK
A	TERMINAL HOUSING KEY A
B	TERMINAL HOUSING KEY B
C	TERMINAL HOUSING KEY C
D	TERMINAL HOUSING KEY D
CPA	CPA
ISL	ISL
R	RING SEAL
1	USCAR INTERFACE 120-S-002-1-Z01 SEE NOTE 1f FOR WEBSITE
2	MOLEX INLINE BLADE CONNECTOR E-34899-2001
3	USCAR INTERFACE 120-S-002-1-Z02 SEE NOTE 1f FOR WEBSITE

THIS DRAWING CONTAINS INFORMATION THAT IS PROPRIETARY TO MOLEX ELECTRONIC TECHNOLOGIES, LLC AND SHOULD NOT BE USED WITHOUT WRITTEN PERMISSION

QUALITY SYMBOLS □ = 0 ▽ = 0 ▽ = 0 ▽ = 0 ▽ = 0 ▽ = 0 □ = 0 ■ = 0 ▽ = 0	EC NO: 117704 DRWN: VYARAPPA CHKD: REV APPR: KDEKOSKI	2017/04/20 2017/06/06	GENERAL TOLERANCES (UNLESS SPECIFIED) ANGULAR TOL ± 3.0 ° 4 PLACES ± 3 PLACES ± 2 PLACES ± 0.1 1 PLACE ± 0.2 0 PLACES ± 0.5 DRAFT WHERE APPLICABLE MUST REMAIN WITHIN DIMENSIONS	DIMENSION UNITS: MM SCALE: 5:1 DRWN BY: MVANSLAMBROU DATE: 2012/02/15 CHKD BY: DATE: APPR BY: GGA DATE: 2012/12/13		1.2MM 1X2, 1X3 RECPT. SEALED ASSEMBLY CABLE SEAL	PRODUCT CUSTOMER DRAWING	SERIES: 34900 MATERIAL NUMBER: 9999999999 CUSTOMER: GENERAL MARKET
	DRAWING SIZE: D THIRD ANGLE PROJECTION	DOCUMENT NUMBER: SD-34900-2001 DOC TYPE: PSD DOC PART: 001 SHEET NUMBER: 6 OF 6						