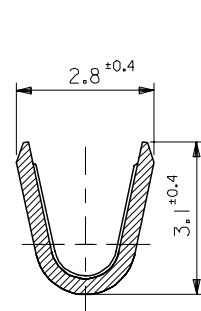
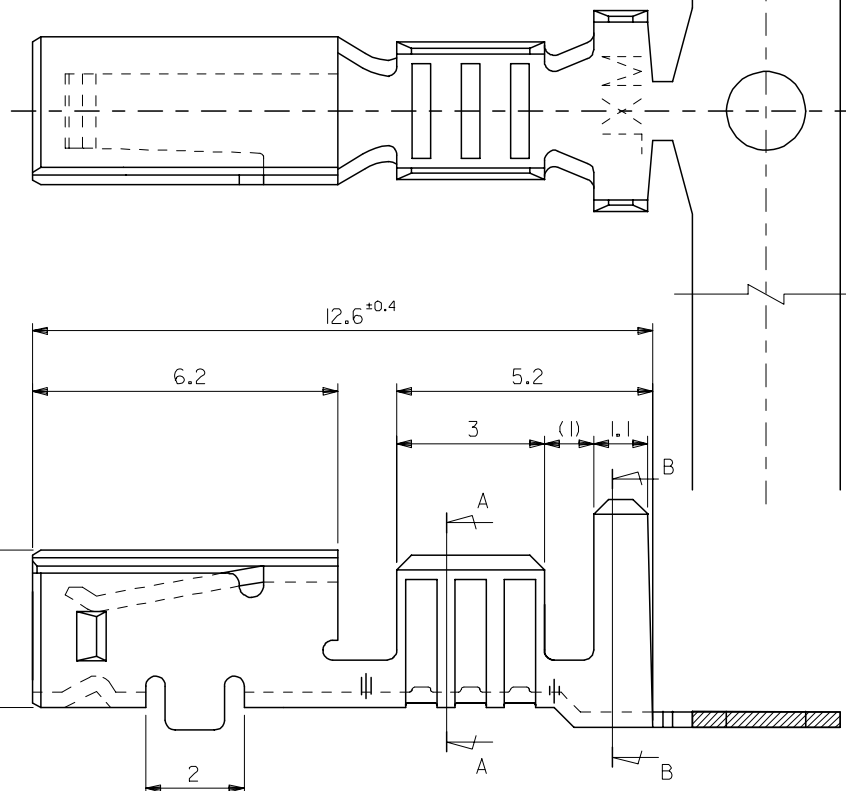
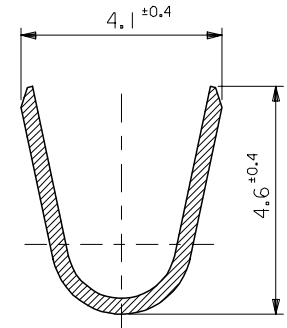


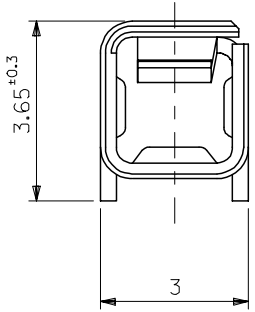
PART NUMBER CHAIN	PART NUMBER LOOSE
87943-1101	87943-1001



SECT. A-A



SECT. B-B



- NOTES:
1. MATERIAL : TIN PLATED HIGH CONDUCTIVE COPPER ALLOY WITH THICKNESS 0.32mm.
 2. APPLICABLE HOUSING: 87943-7001.
 3. APPLICABLE WIRE: 16 AWG.
 4. APPLICABLE INSULATION RANGE: 1.87mm TO 2.45mm
 5. CRIMP SPECIFICATION: CS-50535

ADD TEXTS	DESCRIPTION
EC NO: S2006-0818	
DRWN:KELIM	
CHKD:NRVITPALLI	
APPR:PTLIM	
REV	
A1	

QUALITY SYMBOLS	DESCRIPTION
▽=0	
▽C=0	

GENERAL TOLERANCES (UNLESS SPECIFIED)	mm	INCH
4 PLACES	± ---	± ---
3 PLACES	± ---	± ---
2 PLACES	± ---	± ---
1 PLACE	± 0.25	± ---
ANGULAR ± 3 °		
DRAFT WHERE APPLICABLE MUST REMAIN WITHIN DIMENSIONS		

DRAWN BY		DATE
NRVITPALLI		2005/05/11
CHECKED BY		DATE
PTLIM		2005/05/13
APPROVED BY		DATE
SCLOW		2005/05/13
MATERIAL NO.		DOCUMENT NO.
SEE TABLE		SD-87943-011
SIZE		SHEET NO.
A3		1 OF 1

SCALE	DESIGN UNITS	THIRD ANGLE PROJECTION
NTS	METRIC	
TITLE		
CRIMP TERMINAL 2.5/3.5 W-T-B RECEPTACLE		
MOLEX INCORPORATED		
THIS DRAWING CONTAINS INFORMATION THAT IS PROPRIETARY TO MOLEX INCORPORATED AND SHOULD NOT BE USED WITHOUT WRITTEN PERMISSION		