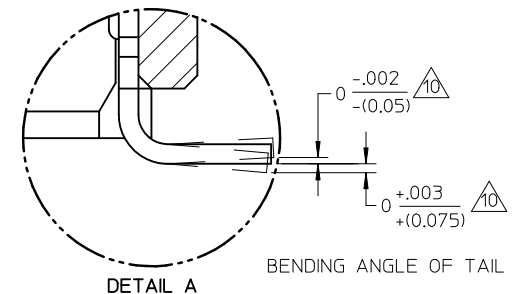
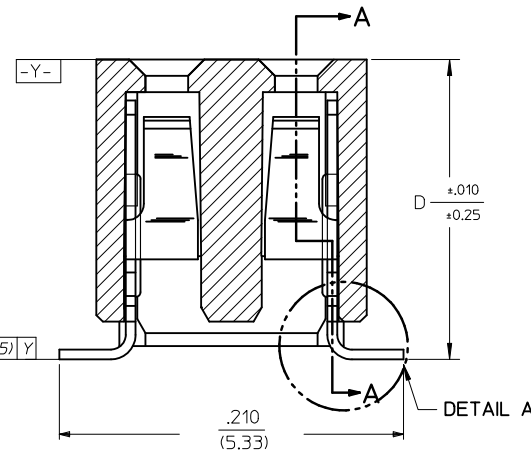
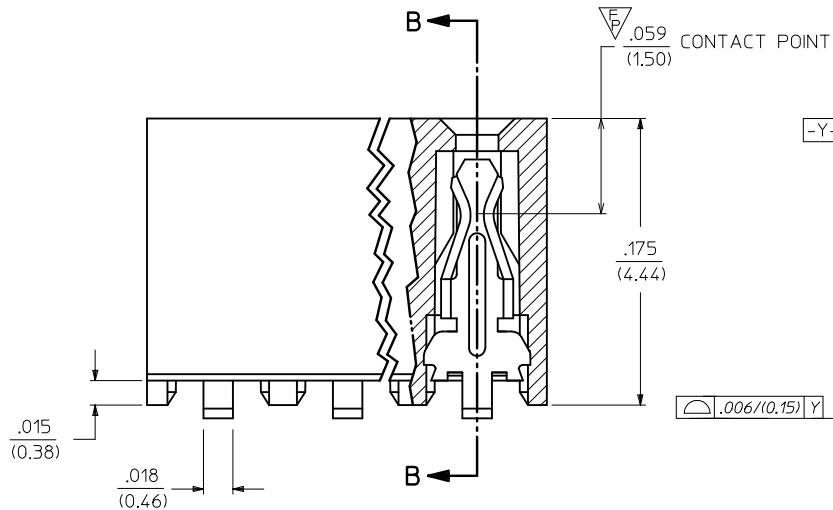


**NOTES:**

1. HOUSING MATERIAL:  
LCP, GLASS FILLED, UL 94V-0  
COLOUR BLACK.
2. TERMINAL MATERIAL:  
PHOSPHOR BRONZE
3. SEE APPROPRIATE SHEET FOR CIRCUIT SIZE,  
PART NUMBERS AND OVERALL DIMENSIONS.
4. FOR ILLUSTRATION, 6 CKT ASSY SHOWN.
5. REFER TO PRODUCT SPEC PS-79107.
6. TUBE PACKAGING PER PK-70873-0217 OR  
TAPE PACKAGING PER PK-70873-0259
7. SEE FROM SHT 4 FOR PEG OPTION ASSEMBLIES.
8. CKT LOCATIONS ARE NUMBERED FROM LEFT TO  
RIGHT WHEN VIEWING ASSY FROM TOP WITH  
THE GATE RECESS ON THE RIGHT AS SHOWN.
9. SEE SHT 3, 7 & 9 FOR VOIDED CIRCUIT PART NUMBERS.
10. MEASUREMENT IS TAKEN BETWEEN THE TANGENT OF  
THE TOE TO TIP OF THE TERMINAL.

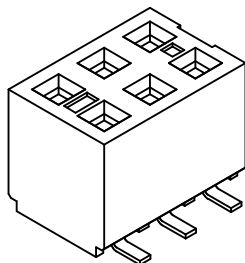
**PLATING OPTION:**

4. 30u\* (0.75um) MIN. GOLD PLATE IN SELECTED AREA AND  
75u\* (1.88um) MIN. TIN PLATE IN SELECTED AREA OVER  
50u\* (1.25um) MIN. NICKEL OVERALL.
5. 15u\* (0.38um) MIN. GOLD PLATE IN SELECTED AREA AND  
75u\* (1.88um) MIN. TIN PLATE IN SELECTED AREA OVER  
50u\* (1.25um) MIN. NICKEL OVERALL.
6. 5u\* (0.13um) MIN. GOLD PLATE IN SELECTED AREA AND  
75u\* (1.88um) MIN. TIN PLATE IN SELECTED AREA OVER  
50u\* (1.25um) MIN. NICKEL OVERALL.



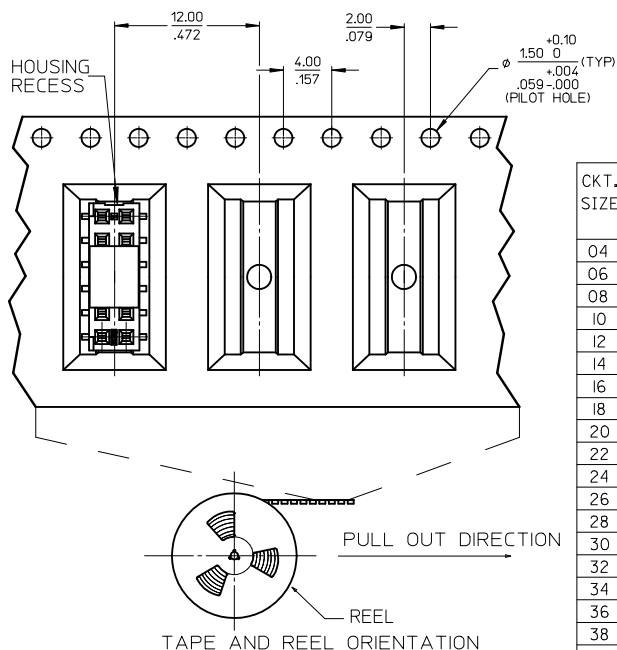
SECTION A-A

SECTION B-B



<b>REMOVE OPTIONS</b> EC NO: S2011-0343 DRWN:SKANG CHKD:ATSEE APPR:MLONG 2010/11/29 2010/12/03 DESCRIPTION	$F_A=0$ $F_C=0$ $F_P=1$	<b>QUALITY SYMBOLS</b>	<b>GENERAL TOLERANCES (UNLESS SPECIFIED)</b>	<b>DIMENSION STYLE</b> IN/MM	<b>SCALE</b> NTS	<b>DESIGN UNITS</b> INCH	<b>THIRD ANGLE PROJECTION</b>																
			<table border="1"> <tr> <th></th> <th>mm</th> <th>INCH</th> </tr> <tr> <td>4 PLACES</td> <td>± ---</td> <td>± ---</td> </tr> <tr> <td>3 PLACES</td> <td>± ---</td> <td>± 0.10</td> </tr> <tr> <td>2 PLACES</td> <td>± 0.25</td> <td>± 0.15</td> </tr> <tr> <td>1 PLACE</td> <td>± 0.38</td> <td>± ---</td> </tr> </table>		mm	INCH	4 PLACES	± ---	± ---	3 PLACES	± ---	± 0.10	2 PLACES	± 0.25	± 0.15	1 PLACE	± 0.38	± ---	DRAWN BY: AAB DATE: 1989/05/15 CHECKED BY: MJM DATE: 1989/05/15 APPROVED BY: MLONG DATE: 2010/02/18	TITLE: 2MM DUAL ROW VERTICAL RECEPTACLE, SMT	<b>MOLEX INCORPORATED</b>	DOCUMENT NO: SDA-79109-****	SHEET NO: 1 OF 9
		mm	INCH																				
	4 PLACES	± ---	± ---																				
3 PLACES	± ---	± 0.10																					
2 PLACES	± 0.25	± 0.15																					
1 PLACE	± 0.38	± ---																					
		ANGULAR ± 3 °	DRAFT WHERE APPLICABLE MUST REMAIN WITHIN DIMENSIONS	MATERIAL NO: SEE TABLE	THIS DRAWING CONTAINS INFORMATION THAT IS PROPRIETARY TO MOLEX INCORPORATED AND SHOULD NOT BE USED WITHOUT WRITTEN PERMISSION																		
<b>M7</b>	<b>REV</b>			SIZE: A3																			

WITHOUT PEG OPTION

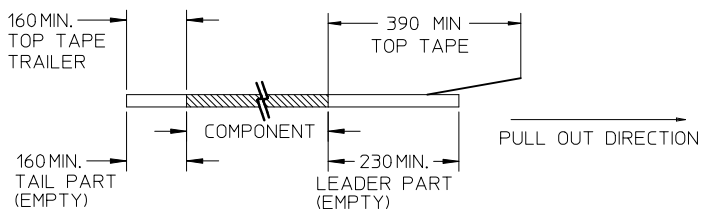


CKT. SIZE	DIM. "A"		DIM. "B"		DIM. "D"		PLATING OPTION 5		PLATING OPTION 4		PLATING OPTION 6	
	INCH	MM	INCH	MM	INCH	MM	ITEM NO. TUBE PACKED (WITHOUT CAP)	ITEM NO. TAPE PACKED (WITH CAP)	ITEM NO. TUBE PACKED (WITHOUT CAP)	ITEM NO. TAPE PACKED (WITH CAP)	ITEM NO. TUBE PACKED (WITHOUT CAP)	ITEM NO. TAPE PACKED (WITH CAP)
04	.079	(2.00)	.165	(4.19)	.183	(4.65)	79109-1001	79109-8401	79109-1051	79109-8451	X	79109-1101
06	.157	(4.00)	.244	(6.19)	.183	(4.65)	79109-1002	79109-8402	79109-1052	79109-8452	X	79109-1102
08	.236	(6.00)	.322	(8.19)	.183	(4.65)	79109-1003	79109-8403	79109-1053	79109-8453	X	79109-1103
10	.315	(8.00)	.401	(10.19)	.183	(4.65)	79109-1004	79109-8404	79109-1054	79109-8454	X	79109-1104
12	.394	(10.00)	.480	(12.19)	.183	(4.65)	79109-1005	79109-8405	79109-1055	79109-8455	X	79109-1105
14	.472	(12.00)	.559	(14.19)	.183	(4.65)	79109-1006	79109-8406	79109-1056	79109-8456	X	79109-1106
16	.551	(14.00)	.637	(16.19)	.183	(4.65)	79109-1007	79109-8407	79109-1057	79109-8457	X	79109-1107
18	.630	(16.00)	.716	(18.19)	.183	(4.65)	79109-1008	79109-8408	79109-1058	79109-8458	X	79109-1108
20	.709	(18.00)	.795	(20.19)	.183	(4.65)	79109-1009	79109-8409	79109-1059	79109-8459	X	79109-1109
22	.787	(20.00)	.874	(22.19)	.183	(4.65)	79109-1010	79109-8410	79109-1060	79109-8460	X	79109-1110
24	.866	(22.00)	.952	(24.19)	.183	(4.65)	79109-1011	79109-8411	79109-1061	79109-8461	X	79109-1111
26	.945	(24.00)	1.031	(26.19)	.183	(4.65)	79109-1012	79109-8412	79109-1062	79109-8462	X	79109-1112
28	1.024	(26.00)	1.110	(28.19)	.183	(4.65)	79109-1013	79109-8413	79109-1063	79109-8463	X	79109-1113
30	1.102	(28.00)	1.188	(30.19)	.183	(4.65)	79109-1014	79109-8414	79109-1064	79109-8464	X	79109-1114
32	1.181	(30.00)	1.267	(32.19)	.183	(4.65)	79109-1015	79109-8415	79109-1065	79109-8465	X	79109-1115
34	1.260	(32.00)	1.346	(34.19)	.183	(4.65)	79109-1016	79109-8416	79109-1066	79109-8466	X	79109-1116
36	1.338	(34.00)	1.425	(36.19)	.183	(4.65)	79109-1017	79109-8417	79109-1067	79109-8467	X	79109-1117
38	1.417	(36.00)	1.504	(38.19)	.183	(4.65)	79109-1018	79109-8418	79109-1068	79109-8468	X	79109-1118
40	1.496	(38.00)	1.582	(40.19)	.183	(4.65)	79109-1019	79109-8419	79109-1069	79109-8469	X	79109-1119
42	1.575	(40.00)	1.661	(42.19)	.183	(4.65)	79109-1020	79109-8420	79109-1070	79109-8470	X	79109-1120
44	1.654	(42.00)	1.740	(44.19)	.183	(4.65)	79109-1021	79109-8421	79109-1071	79109-8471	X	79109-1121
46	1.732	(44.00)	1.818	(46.19)	.183	(4.65)	79109-1022	79109-8422	79109-1072	79109-8472	X	79109-1122
48	1.811	(46.00)	1.897	(48.19)	.183	(4.65)	79109-1023	79109-8423	79109-1073	79109-8473	X	79109-1123
50	1.890	(48.00)	1.976	(50.19)	.183	(4.65)	79109-1024	79109-8424	79109-1074	79109-8474	X	79109-1124

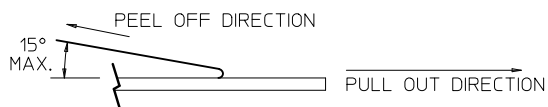
\*X\* INDICATES TOOLING NOT AVAILABLE

NOTES:

1. LEADER AND TRAILER TAPE



2. PEELING OFF FORCE OF THE TOP TAPE: 20-80gf. (PEELING DIRECTION AS SHOWN IN FOLLOWING FIGURE)



3. PACKAGING STANDARD IS AS PER EIA-481.

4. TAPE & REEL QUANTITY = 500 PCS/REEL

SPECIAL PACKAGING (TAPE PACKED WITHOUT CAP)

CKT. SIZE	DIM. "A"		DIM. "B"		DIM. "D"		ITEM NO.	PLATING OPTION SEE SHEET I
	INCH	MM	INCH	MM	INCH	MM		
06	.157	(4.00)	.244	(6.19)	.183	(4.65)	79109-9004	5
20	.709	(18.00)	.795	(20.19)	.183	(4.65)	79109-9005	5
50	1.890	(48.00)	1.976	(50.19)	.183	(4.65)	79109-9006	5
34	1.260	(32.00)	1.346	(34.19)	.183	(4.65)	79109-9007	5

<b>REMOVE OPTIONS</b> EC NO: S2011-0343 DRWN:SKANG CHKD:ATSEE APPR:MLONG 2010/11/29 2010/12/03 M7 REV	<b>QUALITY SYMBOLS</b> $F_A=0$ $F_C=0$ $F_P=0$	<b>GENERAL TOLERANCES (UNLESS SPECIFIED)</b> mm INCH 4 PLACES ± --- ± --- 3 PLACES ± --- ± .010 2 PLACES ± 0.25 ± .015 1 PLACE ± 0.38 ± --- ANGULAR ± 3°	DIMENSION STYLE IN/MM	SCALE NTS	DESIGN UNITS INCH	THIRD ANGLE PROJECTION
			DRAWN BY AAB	DATE 1989/05/15	TITLE 2MM DUAL ROW VERTICAL RECEPTACLE, SMT	
			CHECKED BY MJM	DATE 1989/05/15	MOLEX INCORPORATED	
			APPROVED BY MLONG	DATE 2010/02/18	MATERIAL NO. SEE TABLE	DOCUMENT NO. SDA-79109-****

DRAFT WHERE APPLICABLE MUST REMAIN WITHIN DIMENSIONS

THIS DRAWING CONTAINS INFORMATION THAT IS PROPRIETARY TO MOLEX INCORPORATED AND SHOULD NOT BE USED WITHOUT WRITTEN PERMISSION

ASSEMBLIES WITHOUT PEGS  
VOIDED CIRCUIT OPTION

CKT. SIZE	ASSEMBLY (WITHOUT CAP IN TUBE)	VOID LOCATION(S) SEE SHEET 1 FOR CONVENTION		PLATING OPTION	DIM. "A"		DIM. "B"		DIM. "D"	
	PART NUMBER	ROW	CKT. NO.(s)		INCH	MM	INCH	MM	INCH	MM
22	79109-5011	A	2	4	.787	(20.00)	.874	(22.19)	.183	(4.65)
6	79109-5012	A	2	5	.157	(4.00)	.244	(6.19)	.183	(4.65)

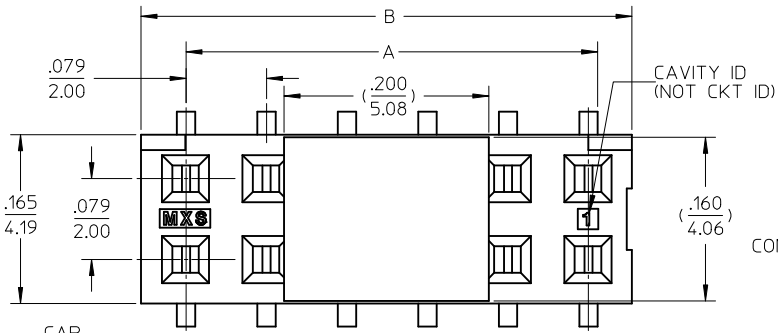
CKT SIZE	ASSEMBLY (WITH CAP IN T&R)	VOID LOCATION(S) SEE SHEET 1 FOR CONVENTION		PLATING OPTION	DIM A		DIM B		DIM D	
	PART NUMBER	ROW	CKT NO.		INCH	MM	INCH	MM	INCH	MM
50	79109-8924	A	13, 23	5	1.890	(48.00)	1.976	(50.19)	.183	(4.65)
		B	23							

NOTES:

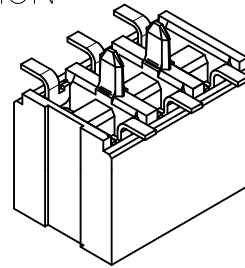
1. TERMINALS WILL BE PRESENT IN VOIDED LOCATIONS. HOWEVER, PIN WINDOWS WILL BE CLOSED.
2. VOIDS CAN ONLY BE PRESENT IN ONE ROW OF A CONNECTOR.

REMOVE OPTIONS EC NO: S2011-0343 DRWN:SKANG CHKD:ATSEE APPR:MLONG 2010/11/29 2010/12/03	QUALITY SYMBOLS	GENERAL TOLERANCES (UNLESS SPECIFIED)	DIMENSION STYLE	SCALE	DESIGN UNITS	THIRD ANGLE PROJECTION	
	$F_A=0$	mm INCH	IN/MM	NTS	INCH		
	$F_C=0$	4 PLACES ± --- ± ---	DRAWN BY DATE	AAB	1989/05/15	TITLE	
	$F_P=0$	3 PLACES ± --- ± .010	CHECKED BY DATE	MJM	1989/05/15	2MM DUAL ROW VERTICAL RECEPTACLE, SMT	
	2 PLACES ± 0.25 ± .015	APPROVED BY DATE	MLONG	2010/02/18	MOLEX INCORPORATED		
	1 PLACE ± 0.38 ± ---	ANGULAR ± 3 °	MATERIAL NO.	SEE TABLE	DOCUMENT NO.	SHEET NO.	
		DRAFT WHERE APPLICABLE MUST REMAIN WITHIN DIMENSIONS	SIZE	A3	SDA-79109-****	4 OF 9	
			THIS DRAWING CONTAINS INFORMATION THAT IS PROPRIETARY TO MOLEX INCORPORATED AND SHOULD NOT BE USED WITHOUT WRITTEN PERMISSION				

PEG OPTION



CONNECTOR WITH CAP

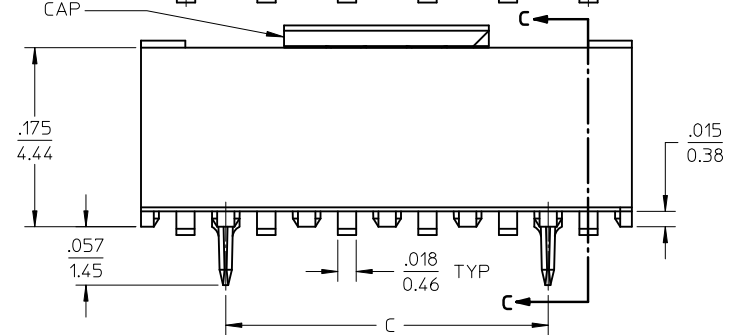


**PLATING OPTION:**

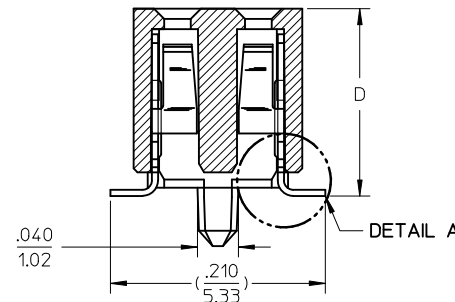
- ( 4 ) 30uIn (0.75um) MIN. GOLD PLATE IN SELECTED AREA AND 75uIn (1.88um) MIN. TIN IN SELECTED AREA OVER 50uIn (1.25um) MIN. NICKEL OVER-ALL.
- ( 5 ) 15uIn (0.38um) MIN. GOLD PLATE IN SELECTED AREA AND 75uIn (1.88um) MIN. TIN IN SELECTED AREA OVER 50uIn (1.25um) MIN. NICKEL OVER-ALL.
- ( 6 ) 5uIn (0.13um) MIN. GOLD PLATE IN SELECTED AREA AND 75uIn (1.88um) MIN. TIN IN SELECTED AREA OVER 50uIn (1.25um) MIN. NICKEL OVER-ALL.

**NOTES:**

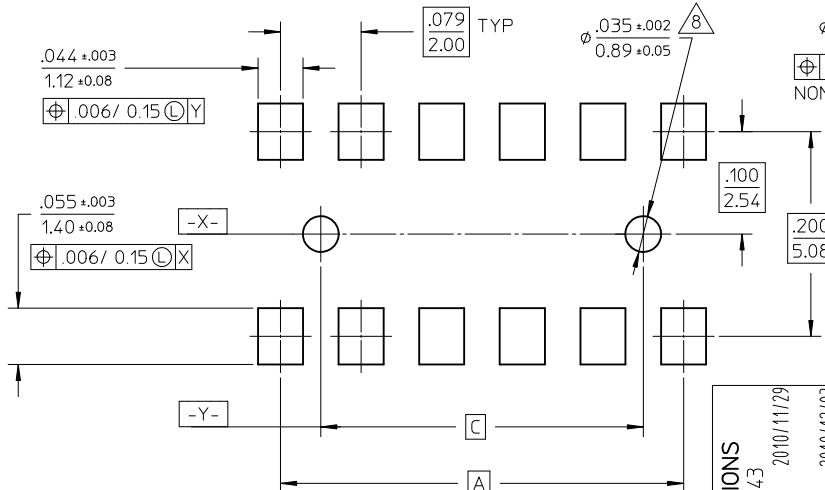
- 1 - HOUSING MATERIAL: GLASS FILLED HIGH TEMP. THERMOPLASTIC. COLOR: BLACK.
- 2 - TERMINAL MATERIAL: PHOSPHOR BRONZE
- 3 - SEE APPROPRIATE SHEET FOR CIRCUIT SIZE, PART NUMBERS AND OVER-ALL DIMENSIONS.
- 4 - FOR ILLUSTRATION, 6&12 CIRCUIT ASSEMBLY SHOWN.
- 5 - REFER TO PRODUCT SPECIFICATION PS-79107.
- 6 - TUBE PACKAGING PER PK-70873-0217 OR TAPE PACKAGING PER PK-70873-0259.
- 7 - SEE PSX-79107 FOR SUGGESTED BOTTOM ENTRY PIN LENGTHS.
- 8 - .035 DIA. FOR PRESS FIT ONLY. USE .039±.002 FOR ALIGNMENT PURPOSES ON PICK AND PLACE.
- 9 - MEASUREMENT IS TAKEN BETWEEN THE TANGENT OF THE TOE TO TIP OF THE TERMINAL.



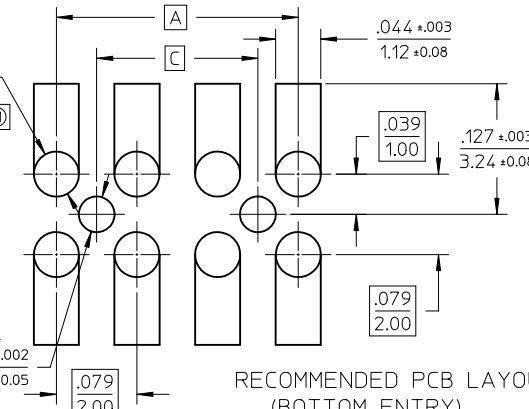
SECTION C-C



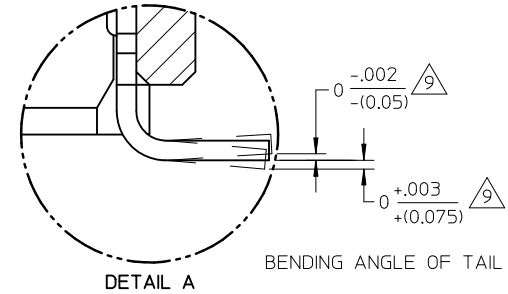
DETAIL A



RECOMMENDED PCB LAYOUT



RECOMMENDED PCB LAYOUT (BOTTOM ENTRY)



DETAIL A BENDING ANGLE OF TAIL

<p><b>REMOVE OPTIONS</b> EC NO: S2010-0343 DRWN:SKANG CHKD:ATSEE APPR:MLONG</p>	<p>2010/11/29 2010/12/03</p>	<p>QUALITY SYMBOLS F<sub>A</sub>=0 F<sub>C</sub>=0 F<sub>P</sub>=0</p>	<p>GENERAL TOLERANCES (UNLESS SPECIFIED)</p> <table border="1"> <tr> <td></td> <td>mm</td> <td>INCH</td> </tr> <tr> <td>4 PLACES</td> <td>± .010</td> <td>± .0004</td> </tr> <tr> <td>3 PLACES</td> <td>± .015</td> <td>± .0006</td> </tr> <tr> <td>2 PLACES</td> <td>± .025</td> <td>± .0010</td> </tr> <tr> <td>1 PLACE</td> <td>± .038</td> <td>± .0015</td> </tr> </table>		mm	INCH	4 PLACES	± .010	± .0004	3 PLACES	± .015	± .0006	2 PLACES	± .025	± .0010	1 PLACE	± .038	± .0015	<p>DIMENSION STYLE IN/MM</p>	<p>SCALE NTS</p>	<p>DESIGN UNITS INCH</p>	<p>THIRD ANGLE PROJECTION</p>
		mm	INCH																			
	4 PLACES	± .010	± .0004																			
	3 PLACES	± .015	± .0006																			
2 PLACES	± .025	± .0010																				
1 PLACE	± .038	± .0015																				
<p>DESCRIPTION</p>	<p>DRAWN BY AAB</p>	<p>DATE 1989/05/15</p>	<p>TITLE 2MM DUAL ROW VERTICAL RECEPTACLE, SMT</p>																			
<p>REV</p>	<p>CHECKED BY MJM</p>	<p>DATE 1989/05/15</p>	<p>MOLEX INCORPORATED</p>																			
<p>M7</p>	<p>APPROVED BY MLONG</p>	<p>DATE 2010/02/18</p>	<p>MATERIAL NO. SEE TABLE</p>	<p>DOCUMENT NO. SDA-79109-****</p>	<p>SHEET NO. 5 OF 9</p>	<p>THIS DRAWING CONTAINS INFORMATION THAT IS PROPRIETARY TO MOLEX INCORPORATED AND SHOULD NOT BE USED WITHOUT WRITTEN PERMISSION</p>																

# PEG OPTION

CKT. SIZE	DIM. "A"		DIM. "B"		DIM. "C"		DIM. "D"		PLATING OPTION 5		PLATING OPTION 4		PLATING OPTION 6		
	INCH	MM	INCH	MM	INCH	MM	INCH	MM	ITEM NO. TUBE PACKED (WITHOUT CAP)	ITEM NO. TAPE PACKED (WITH CAP)	ITEM NO. TUBE PACKED (WITHOUT CAP)	ITEM NO. TAPE PACKED (WITH CAP)	ITEM NO. TUBE PACKED (WITHOUT CAP)	ITEM NO. TAPE PACKED (WITH CAP)	
	04	.079	(2.00)	.165	(4.19)	-	-	.183	(4.65)	79109-1201	79109-8601	79109-1251	79109-8651	X	79109-1301
06	.157	(4.00)	.244	(6.19)	.079	(2.00)	.183	(4.65)	79109-1202	79109-8602	79109-1252	79109-8652	X	79109-1302	-
08	.236	(6.00)	.322	(8.19)	.157	(4.00)	.183	(4.65)	79109-1203	79109-8603	79109-1253	79109-8653	X	79109-1303	-
10	.315	(8.00)	.401	(10.19)	.236	(6.00)	.183	(4.65)	79109-1204	79109-8604	79109-1254	79109-8654	X	79109-1304	-
12	.394	(10.00)	.480	(12.19)	.315	(8.00)	.183	(4.65)	79109-1205	79109-8605	79109-1255	79109-8655	X	79109-1305	-
14	.472	(12.00)	.559	(14.19)	.394	(10.00)	.183	(4.65)	79109-1206	79109-8606	79109-1256	79109-8656	X	79109-1306	-
16	.551	(14.00)	.637	(16.19)	.472	(12.00)	.183	(4.65)	79109-1207	79109-8607	79109-1257	79109-8657	X	79109-1307	-
18	.630	(16.00)	.716	(18.19)	.551	(14.00)	.183	(4.65)	79109-1208	79109-8608	79109-1258	79109-8658	X	79109-1308	-
20	.709	(18.00)	.795	(20.19)	.630	(16.00)	.183	(4.65)	79109-1209	79109-8609	79109-1259	79109-8659	X	79109-1309	-
22	.787	(20.00)	.874	(22.19)	.709	(18.00)	.183	(4.65)	79109-1210	79109-8610	79109-1260	79109-8660	X	79109-1310	-
24	.866	(22.00)	.952	(24.19)	.787	(20.00)	.183	(4.65)	79109-1211	79109-8611	79109-1261	79109-8661	X	79109-1311	-
26	.945	(24.00)	1.031	(26.19)	.866	(22.00)	.183	(4.65)	79109-1212	79109-8612	79109-1262	79109-8662	X	79109-1312	-
28	1.024	(26.00)	1.110	(28.19)	.945	(24.00)	.183	(4.65)	79109-1213	79109-8613	79109-1263	79109-8663	X	79109-1313	-
30	1.102	(28.00)	1.188	(30.19)	1.024	(26.00)	.183	(4.65)	79109-1214	79109-8614	79109-1264	79109-8664	X	79109-1314	-
32	1.181	(30.00)	1.267	(32.19)	1.102	(28.00)	.183	(4.65)	79109-1215	79109-8615	79109-1265	79109-8665	X	79109-1315	-
34	1.260	(32.00)	1.346	(34.19)	1.181	(30.00)	.183	(4.65)	79109-1216	79109-8616	79109-1266	79109-8666	X	79109-1316	-
36	1.338	(34.00)	1.425	(36.19)	1.260	(32.00)	.183	(4.65)	79109-1217	79109-8617	79109-1267	79109-8667	X	79109-1317	-
38	1.417	(36.00)	1.504	(38.19)	1.338	(34.00)	.183	(4.65)	79109-1218	79109-8618	79109-1268	79109-8668	X	79109-1318	-
40	1.496	(38.00)	1.582	(40.19)	1.417	(36.00)	.183	(4.65)	79109-1219	79109-8619	79109-1269	79109-8669	X	79109-1319	-
42	1.575	(40.00)	1.661	(42.19)	1.496	(38.00)	.183	(4.65)	79109-1220	79109-8620	79109-1270	79109-8670	X	79109-1320	-
44	1.654	(42.00)	1.740	(44.19)	1.575	(40.00)	.183	(4.65)	79109-1221	79109-8621	79109-1271	79109-8671	X	79109-1321	-
46	1.732	(44.00)	1.818	(46.19)	1.654	(42.00)	.183	(4.65)	79109-1222	79109-8622	79109-1272	79109-8672	X	79109-1322	-
48	1.811	(46.00)	1.897	(48.19)	1.732	(44.00)	.183	(4.65)	79109-1223	79109-8623	79109-1273	79109-8673	X	79109-1323	-
50	1.890	(48.00)	1.976	(50.19)	1.811	(46.00)	.183	(4.65)	79109-1224	79109-8624	79109-1274	79109-8674	X	79109-1324	-

\*X INDICATES TOOLING NOT AVAILABLE

<b>REMOVE OPTIONS</b> EC NO: S2011-0343 DRWN:SKANG CHKD:ATSEE APPR:MLONG 2010/11/29 2010/12/03	QUALITY SYMBOLS $\nabla_A = 0$ $\nabla_C = 0$ $\nabla_P = 0$	GENERAL TOLERANCES (UNLESS SPECIFIED)		DIMENSION STYLE <b>IN/MM</b>	SCALE <b>NTS</b>	DESIGN UNITS <b>INCH</b>	THIRD ANGLE PROJECTION		
				DRAWN BY AAB	DATE 1989/05/15	<b>2MM DUAL ROW VERTICAL RECEPTACLE, SMT</b>  <b>MOLEX INCORPORATED</b>			
				CHECKED BY MJM	DATE 1989/05/15				
				APPROVED BY MLONG		DATE 2010/02/18	DOCUMENT NO. <b>SDA-79109-****</b>	SHEET NO. 6 OF 9	

PEG OPTION

SPECIAL PACKAGING (TAPE PACKED WITHOUT CAP)

CKT. SIZE	DIM. "A"		DIM. "B"		DIM. "C"		DIM. "D"		ITEM NO.	PLATING OPTION SEE SHEET 1
	INCH	MM	INCH	MM	INCH	MM	INCH	MM		
50	1.890	(48.00)	1.976	(50.19)	1.811	(46.00)	.183	(4.65)	79109-9103	5

REMOVE OPTIONS EC NO: S2011-0343 DRWN:SKANG CHKD:ATSEE APPR:MLONG 2010/11/29 2010/12/03	QUALITY SYMBOLS	GENERAL TOLERANCES (UNLESS SPECIFIED)	DIMENSION STYLE	SCALE	DESIGN UNITS	THIRD ANGLE PROJECTION															
	$\nabla_A = 0$ $\nabla_C = 0$ $\nabla_P = 0$	<table border="1"> <tr> <th></th> <th>mm</th> <th>INCH</th> </tr> <tr> <td>4 PLACES</td> <td>± ---</td> <td>± ---</td> </tr> <tr> <td>3 PLACES</td> <td>± ---</td> <td>± .010</td> </tr> <tr> <td>2 PLACES</td> <td>± 0.25</td> <td>± .015</td> </tr> <tr> <td>1 PLACE</td> <td>± 0.38</td> <td>± ---</td> </tr> </table>		mm	INCH	4 PLACES	± ---	± ---	3 PLACES	± ---	± .010	2 PLACES	± 0.25	± .015	1 PLACE	± 0.38	± ---	IN/MM	NTS	INCH	
		mm	INCH																		
	4 PLACES	± ---	± ---																		
3 PLACES	± ---	± .010																			
2 PLACES	± 0.25	± .015																			
1 PLACE	± 0.38	± ---																			
DESCRIPTION	DRAWN BY: AAB CHECKED BY: MJM APPROVED BY: MLONG DATE: 1989/05/15 DATE: 1989/05/15 DATE: 2010/02/18	TITLE	2MM DUAL ROW VERTICAL RECEPTACLE, SMT MOLEX INCORPORATED																		
M7	DRAFT WHERE APPLICABLE MUST REMAIN WITHIN DIMENSIONS	SEE TABLE	MATERIAL NO. DOCUMENT NO.	SDA-79109-**** SHEET NO. 7 OF 9																	

## ASSEMBLIES WITH PEGS VOIDED CIRCUIT OPTION

CKT. SIZE	ASSEMBLY (WITHOUT CAP IN TUBE)	VOID LOCATION(S) SEE SHEET 1 FOR CONVENTION		PLATING OPTION	DIM. "A"		DIM. "B"		DIM. "C"		DIM. "D"	
	ITEM NO.	ROW	CKT. NO.(s)		INCH	MM	INCH	MM	INCH	MM	INCH	MM
48	79109-6011	ROW A	1, 24	5	1.811	(46.00)	1.897	(48.19)	1.732	(44.00)	.183	(4.65)
44	79109-6012	ROW B	10	5	1.654	(42.00)	1.740	(44.19)	1.575	(42.00)	.183	(4.65)

**NOTES:**

1. TERMINALS WILL BE PRESENT IN VOIDED LOCATIONS. HOWEVER, PIN WINDOWS WILL BE CLOSED.
2. VOIDS CAN ONLY BE PRESENT IN ONE ROW OF A CONNECTOR.

REMOVE OPTIONS EC NO: S2011-0343 DRWN:SKANG CHKD:ATSEE APPR:MLONG	2010/11/29 2010/12/03	DESCRIPTION M7	QUALITY SYMBOLS	GENERAL TOLERANCES (UNLESS SPECIFIED)	DIMENSION STYLE	SCALE	DESIGN UNITS	THIRD ANGLE PROJECTION		
	$F_A=0$ $F_C=0$ $F_P=0$		mm    INCH 4 PLACES ± --- ± --- 3 PLACES ± --- ± .010 2 PLACES ± 0.25 ± .015 1 PLACE ± 0.38 ± --- ANGULAR ± 3 °	IN/MM	NTS	INCH	DRAWN BY    DATE AAB    1989/05/15 CHECKED BY    DATE MJM    1989/05/15 APPROVED BY    DATE MLONG    2010/02/18	TITLE 2MM DUAL ROW VERTICAL RECEPTACLE, SMT		
	DRAFT WHERE APPLICABLE MUST REMAIN WITHIN DIMENSIONS		SEE TABLE	MOLEX INCORPORATED DOCUMENT NO. SDA-79109-****		SHEET NO. 8 OF 9				
			SIZE A3	THIS DRAWING CONTAINS INFORMATION THAT IS PROPRIETARY TO MOLEX INCORPORATED AND SHOULD NOT BE USED WITHOUT WRITTEN PERMISSION						





SPECIAL - CUSTOM TERMINAL FEET  
VOIDED CIRCUIT OPTION

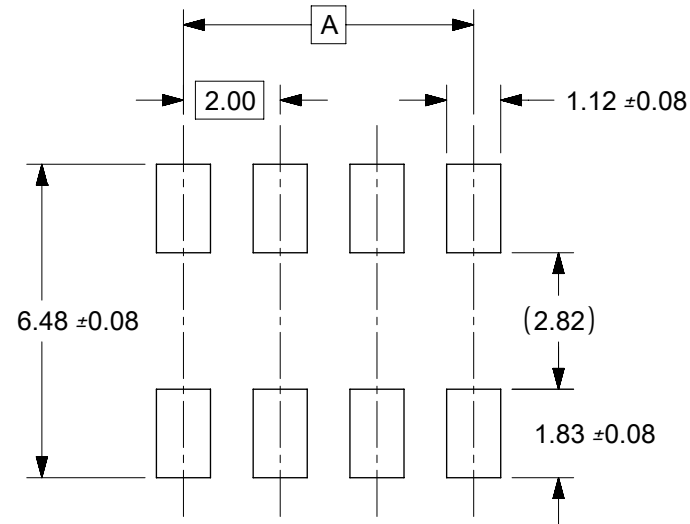
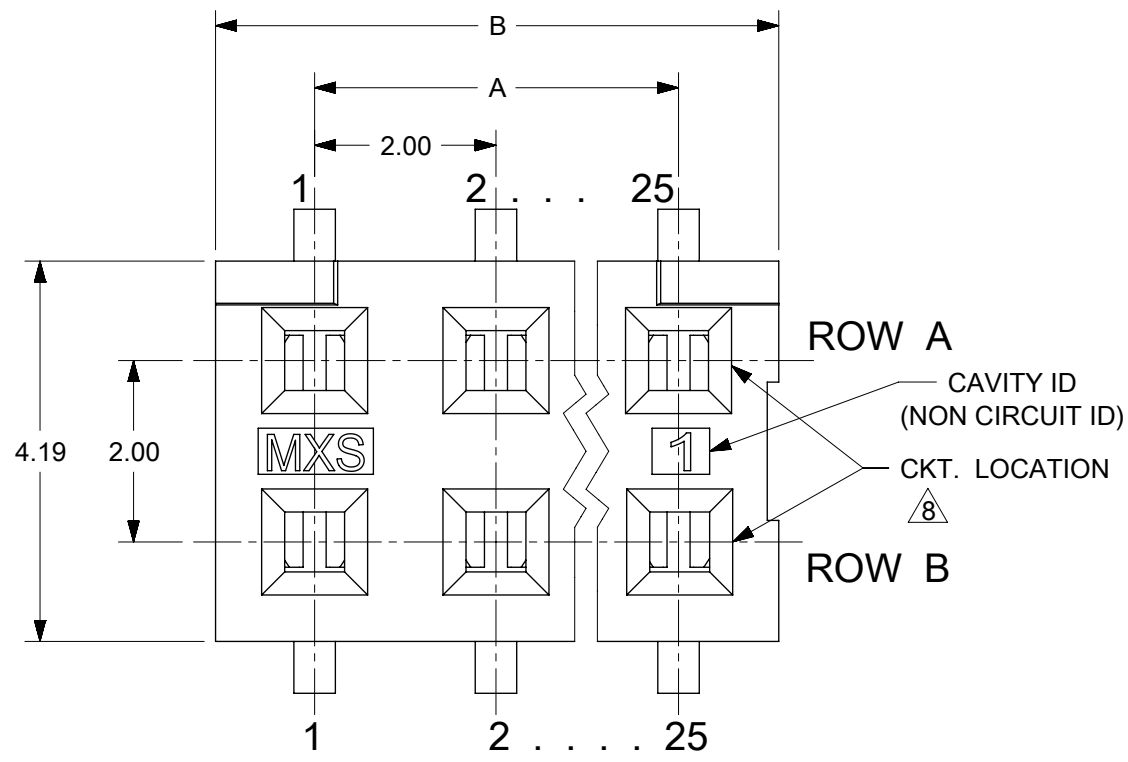
CKT. SIZE	ASSEMBLY		VOID LOCATION(S) SEE SHEET 1 FOR CONVENTION		PLATING OPTION	DIM. "A"		DIM. "B"		DIM. "C"		DIM. "D"		PEG OPTION
	ITEM NO. TUBE PACKED (WITHOUT CAP)	ITEM NO. TAPE PACKED (WITH CAP)	ROW	CKT. NO.(s)		INCH	MM	INCH	MM	INCH	MM	INCH	MM	
48	79109-7011	X 79109-8385	ROW A	1, 24	5	1.811	(46.00)	1.897	(48.19)	1.732	(44.00)	.185	(4.70)	YES
42	79109-7012	X 79109-8386	ROW A	1, 21	5	1.575	(40.00)	1.661	(42.19)	1.496	(38.00)	.185	(4.70)	YES
20	79109-7013	79109-8387	ROW A	1, 10	5	.709	(18.00)	.795	(20.19)	.630	(16.00)	.185	(4.70)	YES
50	79109-7014	X 79109-8388	ROW B	13	5	1.890	(48.00)	1.976	(50.19)	1.811	(46.00)	.185	(4.70)	YES
50	79109-7017	79109-8988	ROW B	13	5	1.890	(48.00)	1.976	(50.19)	1.811	(46.00)	.185	(4.70)	NO

\*X\* INDICATES TOOLING IS NOT AVAILABLE

NOTES:

1. TERMINALS WILL BE PRESENT IN VOIDED LOCATIONS. HOWEVER, PIN WINDOWS WILL BE CLOSED.
2. VOIDS CAN ONLY BE PRESENT IN ONE ROW OF A CONNECTOR.

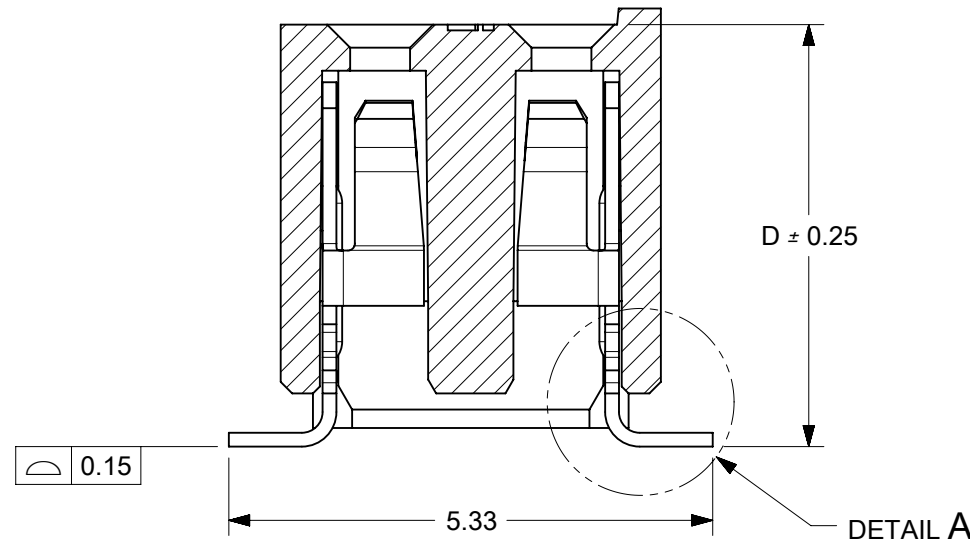
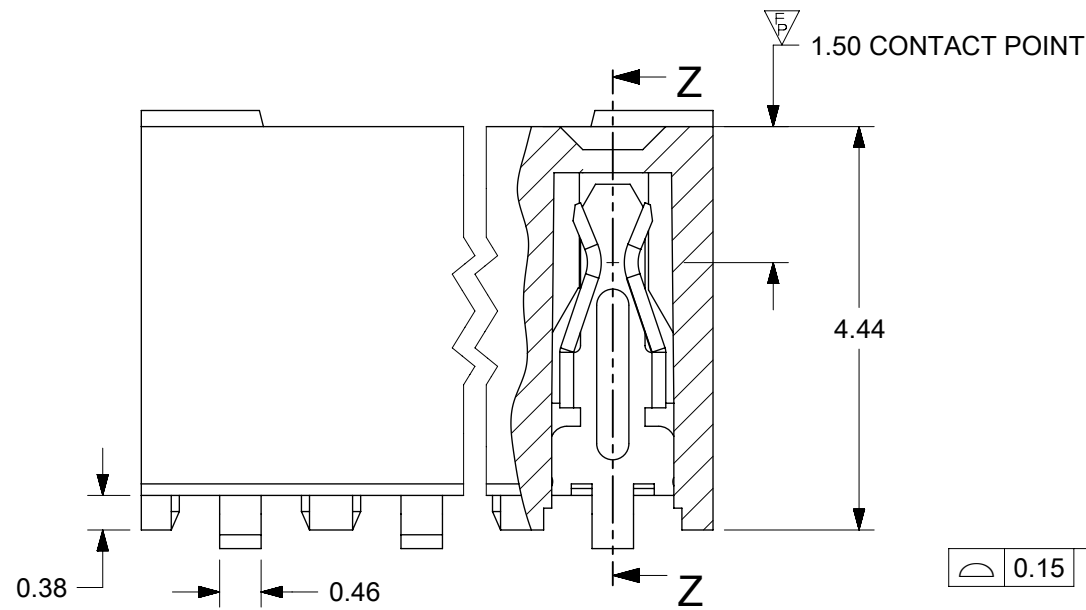
REMOVE OPTIONS EC NO: S2011-0343 DRWN:SKANG CHKD:ATSEE APPR:MLONG 2010/11/29 2010/12/03	QUALITY SYMBOLS	GENERAL TOLERANCES (UNLESS SPECIFIED)	DIMENSION STYLE	SCALE	DESIGN UNITS	THIRD ANGLE PROJECTION	
	$F_A=0$	mm INCH	IN/MM	NTS	INCH		
	$F_C=0$	4 PLACES ± --- ± ---	DRAWN BY DATE	AAB	1989/05/15	TITLE	
	$F_P=0$	3 PLACES ± --- ± .010	CHECKED BY DATE	MJM	1989/05/15	2MM DUAL ROW VERTICAL RECEPTACLE, SMT	
	2 PLACES ± 0.25 ± .015	APPROVED BY DATE	MLONG	2010/02/18	MOLEX INCORPORATED		
	1 PLACE ± 0.38 ± ---	ANGULAR ± 3 °	MATERIAL NO.	SEE TABLE	DOCUMENT NO.	SHEET NO.	
		DRAFT WHERE APPLICABLE MUST REMAIN WITHIN DIMENSIONS	SIZE	A3	SDA-79109-****	9 OF 9	
			THIS DRAWING CONTAINS INFORMATION THAT IS PROPRIETARY TO MOLEX INCORPORATED AND SHOULD NOT BE USED WITHOUT WRITTEN PERMISSION				



RECOMMENDED PCB PAD LAYOUT

**NOTES:**

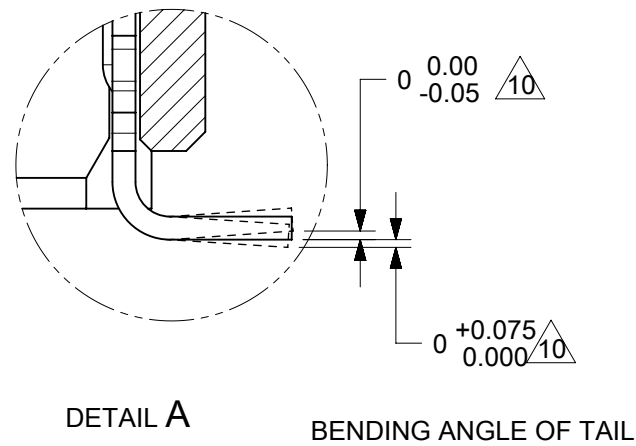
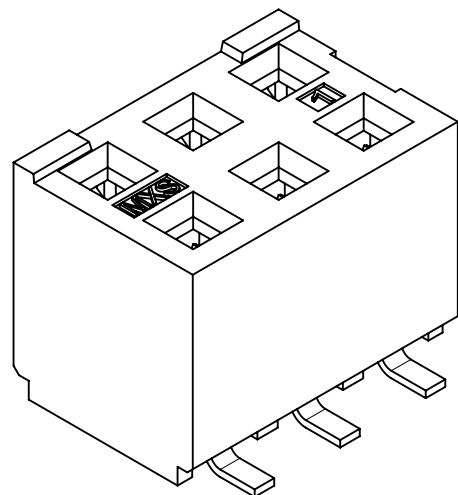
1. HOUSING MATERIAL:  
LCP, GLASS FILLED, UL 94V-0  
COLOUR BLACK.
2. TERMINAL MATERIAL:  
PHOSPHOR BRONZE
3. SEE APPROPRIATE SHEET FOR CIRCUIT SIZE,  
PART NUMBERS AND OVERALL DIMENSIONS.
4. FOR ILLUSTRATION, 6 CKT ASSY SHOWN.
5. REFER TO PRODUCT SPEC PS-79107.
6. TUBE PACKAGING PER PK-70873-0217 OR  
TAPE PACKAGING PER PK-70873-0259
7. SEE FROM SHT 4 FOR PEG OPTION ASSEMBLIES.
8. CKT LOCATIONS ARE NUMBERED FROM LEFT TO  
RIGHT WHEN VIEWING ASSY FROM TOP WITH  
THE GATE RECESS ON THE RIGHT AS SHOWN.
9. SEE SHT 3, 7 & 9 FOR VOIDED CIRCUIT PART NUMBERS.
10. MEASUREMENT IS TAKEN BETWEEN THE TANGENT OF  
THE TOE TO TIP OF THE TERMINAL.



SECTION Z-Z

**PLATING OPTION:**

- (4). 30µin (0.75µm) MIN. GOLD PLATE IN SELECTED AREA AND  
75µin (1.88µm) MIN. TIN IN SELECTED AREA OVER  
50µin (1.25µm) MIN. NICKEL OVER-ALL.
- (5). 15µin (0.38µm) MIN. GOLD PLATE IN SELECTED AREA AND  
75µin (1.88µm) MIN. TIN IN SELECTED AREA OVER  
50µin (1.25µm) MIN. NICKEL OVER-ALL.
- (6). 5µin (0.13µm) MIN. GOLD PLATE IN SELECTED AREA AND  
75µin (1.88µm) MIN. TIN IN SELECTED AREA OVER  
50µin (1.25µm) MIN. NICKEL OVER-ALL.

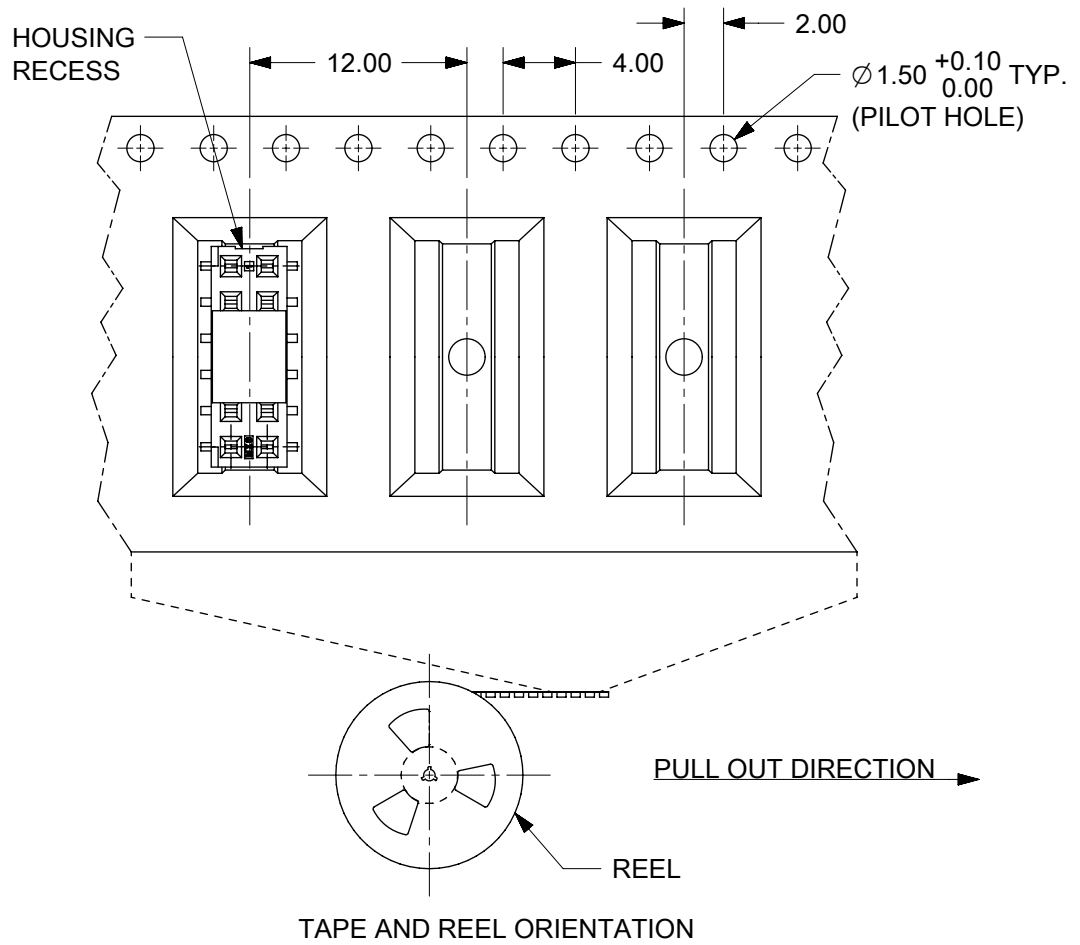


THIS DRAWING CONTAINS INFORMATION THAT IS PROPRIETARY TO MOLEX ELECTRONIC TECHNOLOGIES, LLC AND SHOULD NOT BE USED WITHOUT WRITTEN PERMISSION

RE-MASTERED IN ECTR EC NO: 118407 DRWN: MUM CHKD: GMENARLY REV APPR: KHLIM	2017/04/04	2017/06/23	2017/07/11	GENERAL TOLERANCES (UNLESS SPECIFIED)		DIMENSION UNITS		SCALE		<b>molex</b> 2MM DUAL ROW VERTICAL RECEPTACLE, SMT			
				MM	INCH	MM	NTS	MM	NTS				
				4 PLACES	±	±	DRWN BY	DATE		PRODUCT CUSTOMER DRAWING			
				3 PLACES	±	±	AAB	1989/05/15					
				2 PLACES	±	0.25	CHK'D BY	DATE		SERIES: 79109 MATERIAL NUMBER: SEE TABLE CUSTOMER: GENERAL MARKET			
				1 PLACES	±	0.38	MJM	1989/05/15					
			0 PLACES	±	±	APPR BY	DATE		DOCUMENT NUMBER: SDA-79109-XXXX DOC TYPE: PSD DOC PART: 001 SHEET NUMBER: 1 OF 9				
						LBLEE	2014/08/01						
						ANGULAR TOL = 3.0		DRAWING SIZE: A3		THIRD ANGLE PROJECTION			
						DRAFT WHERE APPLICABLE MUST REMAIN WITHIN DIMENSIONS							

RELEASE STATUS	RELEASE DATE
----------------	--------------

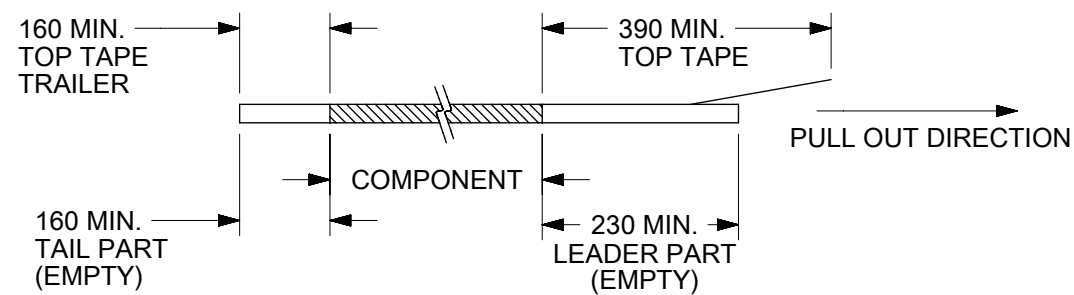
## WITHOUT PEG OPTION



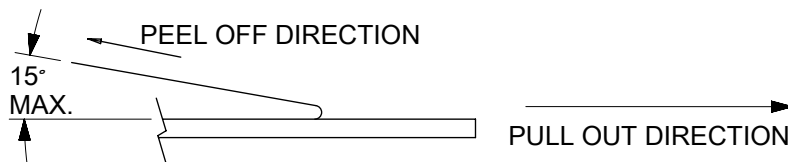
CKT. SIZE	DIM. "A"	DIM. "B"	DIM. "D"	PLATING OPTION 5		PLATING OPTION 4		PLATING OPTION 6	
				ITEM NO. TUBE PACKED (WITHOUT CAP)	ITEM NO. TAPE PACKED (WITH CAP)	ITEM NO. TUBE PACKED (WITHOUT CAP)	ITEM NO. TAPE PACKED (WITH CAP)	ITEM NO. TUBE PACKED (WITHOUT CAP)	ITEM NO. TAPE PACKED (WITH CAP)
04	2.00	4.19	4.65	79109-1001	79109-8401	79109-1051	79109-8451	X	79109-1101
06	4.00	6.19	4.65	79109-1002	79109-8402	79109-1052	79109-8452	X	79109-1102
08	6.00	8.19	4.65	79109-1003	79109-8403	79109-1053	79109-8453	X	79109-1103
10	8.00	10.19	4.65	79109-1004	79109-8404	79109-1054	79109-8454	X	79109-1104
12	10.00	12.19	4.65	79109-1005	79109-8405	79109-1055	79109-8455	X	79109-1105
14	12.00	14.19	4.65	79109-1006	79109-8406	79109-1056	79109-8456	X	79109-1106
16	14.00	16.19	4.65	79109-1007	79109-8407	79109-1057	79109-8457	X	79109-1107
18	16.00	18.19	4.65	79109-1008	79109-8408	79109-1058	79109-8458	X	79109-1108
20	18.00	20.19	4.65	79109-1009	79109-8409	79109-1059	79109-8459	X	79109-1109
22	20.00	22.19	4.65	79109-1010	79109-8410	79109-1060	79109-8460	X	79109-1110
24	22.00	24.19	4.65	79109-1011	79109-8411	79109-1061	79109-8461	X	79109-1111
26	24.00	26.19	4.65	79109-1012	79109-8412	79109-1062	79109-8462	X	79109-1112
28	26.00	28.19	4.65	79109-1013	79109-8413	79109-1063	79109-8463	X	79109-1113
30	28.00	30.19	4.65	79109-1014	79109-8414	79109-1064	79109-8464	X	79109-1114
32	30.00	32.19	4.65	79109-1015	79109-8415	79109-1065	79109-8465	X	79109-1115
34	32.00	34.19	4.65	79109-1016	79109-8416	79109-1066	79109-8466	X	79109-1116
36	34.00	36.19	4.65	79109-1017	79109-8417	79109-1067	79109-8467	X	79109-1117
38	36.00	38.19	4.65	79109-1018	79109-8418	79109-1068	79109-8468	X	79109-1118
40	38.00	40.19	4.65	79109-1019	79109-8419	79109-1069	79109-8469	X	79109-1119
42	40.00	42.19	4.65	79109-1020	79109-8420	79109-1070	79109-8470	X	79109-1120
44	42.00	44.19	4.65	79109-1021	79109-8421	79109-1071	79109-8471	X	79109-1121
46	44.00	46.19	4.65	79109-1022	79109-8422	79109-1072	79109-8472	X	79109-1122
48	46.00	48.19	4.65	79109-1023	79109-8423	79109-1073	79109-8473	X	79109-1123
50	48.00	50.19	4.65	79109-1024	79109-8424	79109-1074	79109-8474	X	79109-1124

"X" INDICATES TOOLING NOT AVAILABLE.

- NOTES:  
1. LEADER AND TRAILER TAPE.



2. PEELING OFF FORCE OF THE TOP TAPE: 20-80gf.  
(PEELING DIRECTION AS SHOWN IN FOLLOWING FIGURE)



3. PACKAGING STANDARD IS AS PER EIA-481.  
4. TAPE & REEL QUANTITY = 500 PCS/REEL

## SPECIAL PACKAGING (TAPE PACKED WITHOUT CAP)

CKT. SIZE	DIM. "A"	DIM. "B"	DIM. "D"	ITEM NO.	PLATING OPTION SEE SHEET 1
06	4.00	6.19	4.65	79109-9004	5
20	18.00	20.19	4.65	79109-9005	5
50	48.00	50.19	4.65	79109-9006	5
34	32.00	34.19	4.65	79109-9007	5

THIS DRAWING CONTAINS INFORMATION THAT IS PROPRIETARY TO MOLEX ELECTRONIC TECHNOLOGIES, LLC AND SHOULD NOT BE USED WITHOUT WRITTEN PERMISSION

RE-MASTERED IN ECTR EC NO: 118407 DRWN: MUM CHKD: GMENARLY REV APPR: KHLIM	2017/04/04	GENERAL TOLERANCES (UNLESS SPECIFIED)		DIMENSION UNITS	SCALE	  2MM DUAL ROW VERTICAL RECEPTACLE, SMT  PRODUCT CUSTOMER DRAWING	
	2017/06/23	MM	INCH	MM	NTS		
	2017/07/11	4 PLACES ±	±	AAB	DATE		1989/05/15
	MUM	3 PLACES ±	±	CHK'D BY	DATE		1989/05/15
	GMENARLY	2 PLACES ± 0.25	±	MJM	DATE		1989/05/15
	KHLIM	1 PLACES ± 0.38	±	APP'R BY	DATE		1989/05/15
N	0 PLACES ±	±	LBLEE	DATE	2014/08/01		
ANGULAR TOL = 3.0		DRAWING SIZE	THIRD ANGLE PROJECTION		A3	SERIES	
DRAFT WHERE APPLICABLE MUST REMAIN WITHIN DIMENSIONS		DRAWING SIZE		THIRD ANGLE PROJECTION		MATERIAL NUMBER	
DRAWING SIZE		THIRD ANGLE PROJECTION		A3		CUSTOMER	
DRAWING SIZE		THIRD ANGLE PROJECTION		A3		79109	
DRAWING SIZE		THIRD ANGLE PROJECTION		A3		SEE TABLE	
DRAWING SIZE		THIRD ANGLE PROJECTION		A3		GENERAL MARKET	
DRAWING SIZE		THIRD ANGLE PROJECTION		A3		DOCUMENT NUMBER	
DRAWING SIZE		THIRD ANGLE PROJECTION		A3		SDA-79109-XXXX	
DRAWING SIZE		THIRD ANGLE PROJECTION		A3		DOC TYPE	
DRAWING SIZE		THIRD ANGLE PROJECTION		A3		PSD	
DRAWING SIZE		THIRD ANGLE PROJECTION		A3		DOC PART	
DRAWING SIZE		THIRD ANGLE PROJECTION		A3		001	
DRAWING SIZE		THIRD ANGLE PROJECTION		A3		SHEET NUMBER	
DRAWING SIZE		THIRD ANGLE PROJECTION		A3		2 OF 9	

# ASSEMBLIES WITHOUT PEGS

## VOIDED CIRCUIT OPTION

CKT. SIZE	ASSEMBLY (WITHOUT CAP IN TUBE)	VOID LOCATION(S) SEE SHEET 1 FOR CONVENTION		PLATING OPTION	DIM."A"	DIM."B"	DIM."D"
	PART NUMBER.	ROW	CKT. NO.(S)				
22	79109-5011	A	2	4	20.00	22.19	4.65
6	79109-5012	A	2	5	4.00	6.19	4.65

CKT. SIZE	ASSEMBLY (WITH CAP IN T&R)	VOID LOCATION(S) SEE SHEET 1 FOR CONVENTION		PLATING OPTION	DIM."A"	DIM."B"	DIM."D"
	PART NUMBER	ROW	CKT. NO.(S)				
50	79109-8924	A	13, 23	5	48.00	50.19	4.65
		B	23				

**NOTES:**

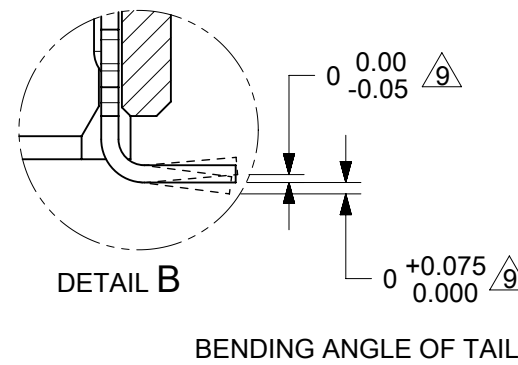
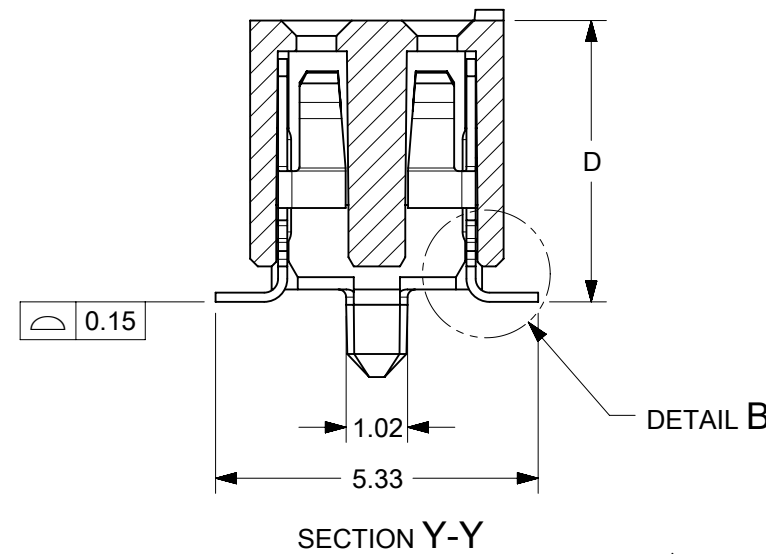
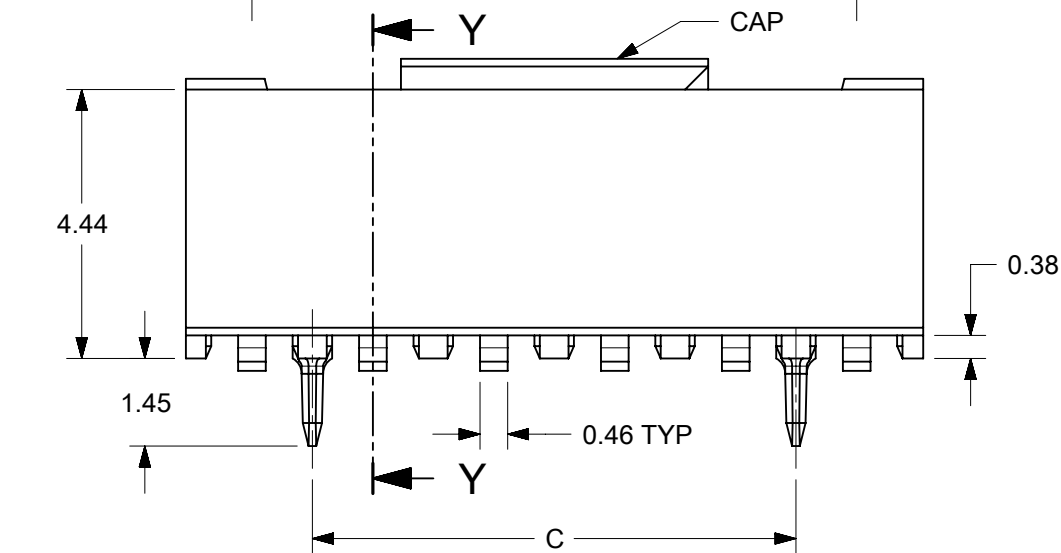
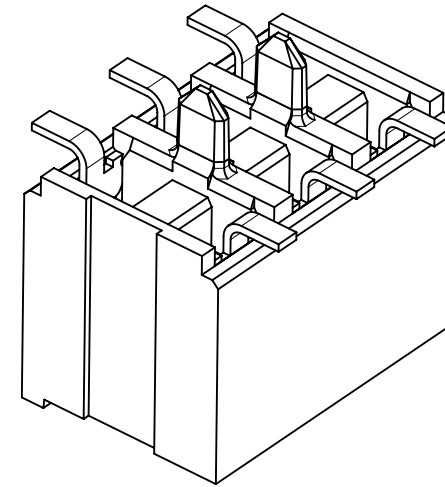
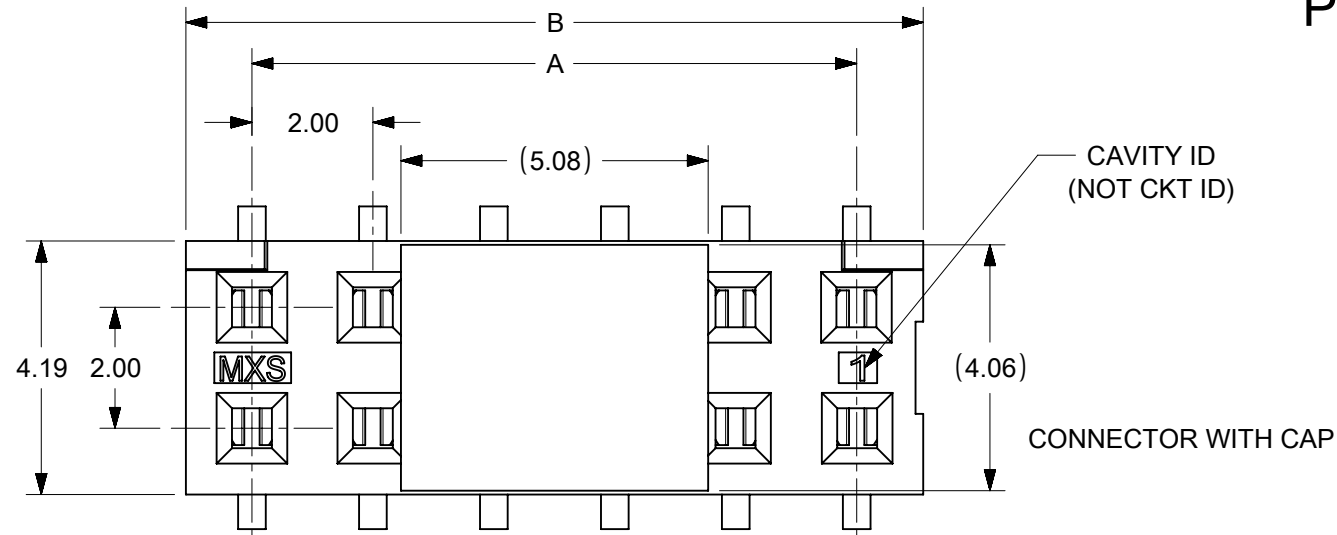
1. TERMINALS WILL BE PRESENT IN VOIDED LOCATIONS. HOWEVER, PIN WINDOWS WILL BE CLOSED.
2. VOIDS CAN ONLY BE PRESENT IN ONE ROW OF A CONNECTOR.

THIS DRAWING CONTAINS INFORMATION THAT IS PROPRIETARY TO MOLEX ELECTRONIC TECHNOLOGIES, LLC AND SHOULD NOT BE USED WITHOUT WRITTEN PERMISSION

RE-MASTERED IN ECTR EC NO: 118407 DRWN: MUM CHKD: GMENARLY REV APPR: KHLIM	2017/04/04	GENERAL TOLERANCES (UNLESS SPECIFIED)		DIMENSION UNITS	SCALE				
	2017/06/23	MM	INCH	MM	NTS				
	2017/07/11	4 PLACES ±	±	DRWN BY	DATE		2MM DUAL ROW VERTICAL RECEPTACLE, SMT		
	N	3 PLACES ±	±	AAB	1989/05/15				
	N	2 PLACES ± 0.25	±	CHK'D BY	DATE				
	N	1 PLACES ± 0.38	±	MJM	1989/05/15		PRODUCT CUSTOMER DRAWING		
N	0 PLACES ±	±	APPR BY	DATE					
N	ANGULAR TOL = 3.0		LBLEE	2014/08/01		SERIES	MATERIAL NUMBER	CUSTOMER	
N	DRAFT WHERE APPLICABLE MUST REMAIN WITHIN DIMENSIONS		DRAWING SIZE	THIRD ANGLE PROJECTION		79109	SEE TABLE	GENERAL MARKET	
N	A3			DOCUMENT NUMBER	DOC TYPE	DOC PART	SHEET NUMBER		
N	A3			SDA-79109-XXXX	PSD	001	3 OF 9		

RELEASE STATUS	RELEASE DATE
----------------	--------------

# PEG OPTION

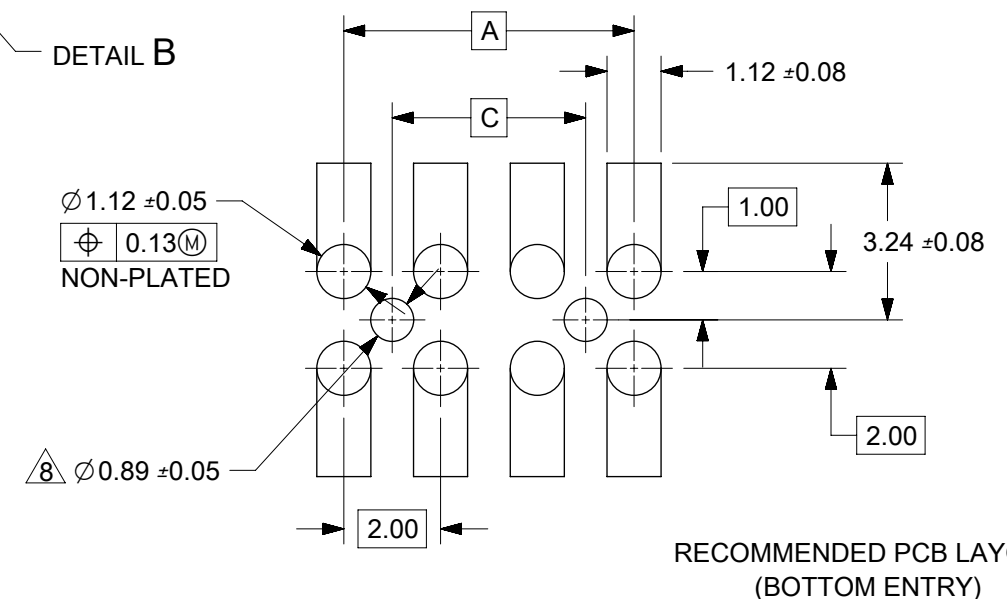
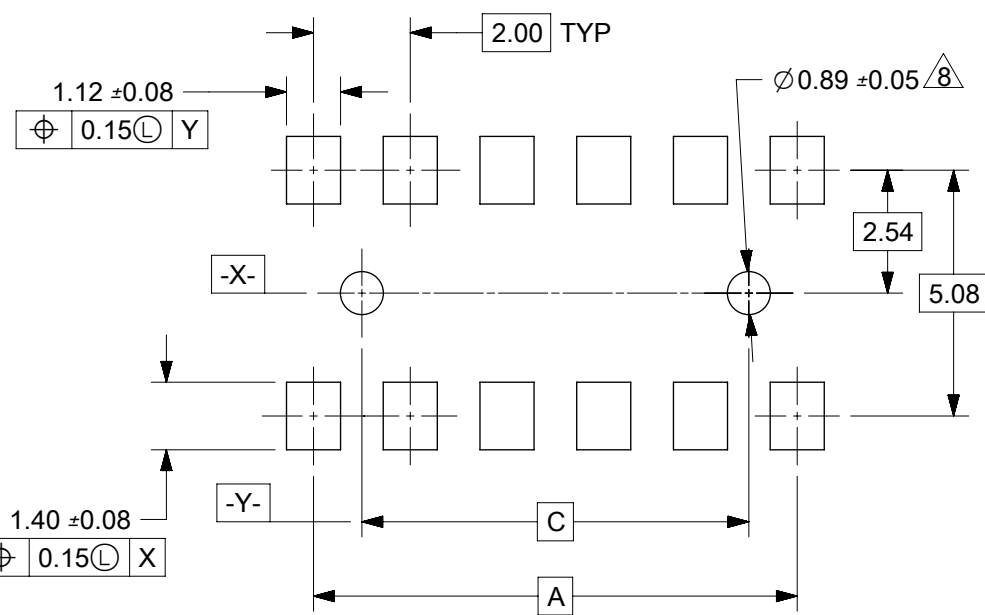


## PLATING OPTION:

- (4). 30µin (0.75µm) MIN. GOLD PLATE IN SELECTED AREA AND 75µin (1.88µm) MIN. TIN IN SELECTED AREA OVER 50µin (1.25µm) MIN. NICKEL OVER-ALL.
- (5). 15µin (0.38µm) MIN. GOLD PLATE IN SELECTED AREA AND 75µin (1.88µm) MIN. TIN IN SELECTED AREA OVER 50µin (1.25µm) MIN. NICKEL OVER-ALL.
- (6). 5µin (0.13µm) MIN. GOLD PLATE IN SELECTED AREA AND 75µin (1.88µm) MIN. TIN IN SELECTED AREA OVER 50µin (1.25µm) MIN. NICKEL OVER-ALL.

## NOTES:

- 1. HOUSING MATERIAL: GLASS FILLED HIGH TEMP. THERMOPLASTIC. COLOR:BLACK.
- 2. TERMINAL MATERIAL: PHOSPHOR BRONZE.
- 3. SEE APPROPRIATE SHEET FOR CIRCUIT SIZE, PART NUMBERS AND OVER-ALL DIMENSIONS.
- 4. FOR ILLUSTRATION, 6 & 12 CIRCUIT ASSEMBLY SHOWN.
- 5. REFER TO PRODUCT SPECIFICATION PS-79107.
- 6. TUBE PACKAGING PER PK-70873-0217 OR TAPE PACKAGING PER 70873-0259.
- 7. SEE PSX-79107 FOR SUGGESTED BOTTOM ENTRY PIN LENGTHS.
- 8. 0.89 DIA FOR PRESS FIT ONLY. USE 0.99±0.05 FOR ALIGNMENT PURPOSES ON PICK AND PLACE.
- 9. MEASUREMENT IS TAKEN BETWEEN THE TANGENT OF THE TOE TO TIP OF THE TERMINAL.



RECOMMENDED PCB LAYOUT

RECOMMENDED PCB LAYOUT (BOTTOM ENTRY)

THIS DRAWING CONTAINS INFORMATION THAT IS PROPRIETARY TO MOLEX ELECTRONIC TECHNOLOGIES, LLC AND SHOULD NOT BE USED WITHOUT WRITTEN PERMISSION

RE-MASTERED IN ECTR EC NO: 118407 DRWN: MUM CHK'D: GMENARLY REV APPR: KHLIM	2017/04/04	GENERAL TOLERANCES (UNLESS SPECIFIED)		DIMENSION UNITS	SCALE	<b>molex®</b>					
	2017/06/23	MM	INCH	MM	NTS						
	2017/07/11	4 PLACES	±	±	DRWN BY	DATE	2MM DUAL ROW VERTICAL RECEPTACLE, SMT				
		3 PLACES	±	±	AAB	1989/05/15					
		2 PLACES	±	0.25	±	CHK'D BY	DATE	PRODUCT CUSTOMER DRAWING			
		1 PLACES	±	0.38	±	MJM	1989/05/15				
	0 PLACES	±	±	±	APPR BY	DATE	SERIES: 79109 MATERIAL NUMBER: SEE TABLE CUSTOMER: GENERAL MARKET				
					LBLEE	2014/08/01					
		ANGULAR TOL = 3.0		DRAWING SIZE	THIRD ANGLE PROJECTION	DOCUMENT NUMBER: SDA-79109-XXXX					
		DRAFT WHERE APPLICABLE MUST REMAIN WITHIN DIMENSIONS		A3		DOC TYPE: PSD	DOC PART: 001	SHEET NUMBER: 4 OF 9			

RELEASE STATUS	RELEASE DATE
----------------	--------------

# PEG OPTION

CKT. SIZE	DIM. "A"	DIM. "B"	DIM. "C"	DIM. "D"	PLATING OPTION 5		PLATING OPTION 4		PLATING OPTION 6		
					ITEM NO. TUBE PACKED (WITHOUT CAP)	ITEM NO. TAPE PACKED (WITH CAP)	ITEM NO. TUBE PACKED (WITHOUT CAP)	ITEM NO. TAPE PACKED (WITH CAP)	ITEM NO. TUBE PACKED (WITHOUT CAP)	ITEM NO. TAPE PACKED (WITH CAP)	
04	2.00	4.19	-	4.65	79109-1201	79109-8601	79109-1251	79109-8651	X	79109-1301	-
06	4.00	6.19	2.00	4.65	79109-1202	79109-8602	79109-1252	79109-8652	X	79109-1302	-
08	6.00	8.19	4.00	4.65	79109-1203	79109-8603	79109-1253	79109-8653	X	79109-1303	-
10	8.00	10.19	6.00	4.65	79109-1204	79109-8604	79109-1254	79109-8654	X	79109-1304	-
12	10.00	12.19	8.00	4.65	79109-1205	79109-8605	79109-1255	79109-8655	X	79109-1305	-
14	12.00	14.19	10.00	4.65	79109-1206	79109-8606	79109-1256	79109-8656	X	79109-1306	-
16	14.00	16.19	12.00	4.65	79109-1207	79109-8607	79109-1257	79109-8657	X	79109-1307	-
18	16.00	18.19	14.00	4.65	79109-1208	79109-8608	79109-1258	79109-8658	X	79109-1308	-
20	18.00	20.19	16.00	4.65	79109-1209	79109-8609	79109-1259	79109-8659	X	79109-1309	-
22	20.00	22.19	18.00	4.65	79109-1210	79109-8610	79109-1260	79109-8660	X	79109-1310	-
24	22.00	24.19	20.00	4.65	79109-1211	79109-8611	79109-1261	79109-8661	X	79109-1311	-
26	24.00	26.19	22.00	4.65	79109-1212	79109-8612	79109-1262	79109-8662	X	79109-1312	-
28	26.00	28.19	24.00	4.65	79109-1213	79109-8613	79109-1263	79109-8663	X	79109-1313	-
30	28.00	30.19	26.00	4.65	79109-1214	79109-8614	79109-1264	79109-8664	X	79109-1314	-
32	30.00	32.19	28.00	4.65	79109-1215	79109-8615	79109-1265	79109-8665	X	79109-1315	-
34	32.00	34.19	30.00	4.65	79109-1216	79109-8616	79109-1266	79109-8666	X	79109-1316	-
36	34.00	36.19	32.00	4.65	79109-1217	79109-8617	79109-1267	79109-8667	X	79109-1317	-
38	36.00	38.19	34.00	4.65	79109-1218	79109-8618	79109-1268	79109-8668	X	79109-1318	-
40	38.00	40.19	36.00	4.65	79109-1219	79109-8619	79109-1269	79109-8669	X	79109-1319	-
42	40.00	42.19	38.00	4.65	79109-1220	79109-8620	79109-1270	79109-8670	X	79109-1320	-
44	42.00	44.19	40.00	4.65	79109-1221	79109-8621	79109-1271	79109-8671	X	79109-1321	-
46	44.00	46.19	42.00	4.65	79109-1222	79109-8622	79109-1272	79109-8672	X	79109-1322	-
48	46.00	48.19	44.00	4.65	79109-1223	79109-8623	79109-1273	79109-8673	X	79109-1323	-
50	48.00	50.19	46.00	4.65	79109-1224	79109-8624	79109-1274	79109-8674	X	79109-1324	-

'X' INDICATES TOOLING NOT AVAILABLE

THIS DRAWING CONTAINS INFORMATION THAT IS PROPRIETARY TO MOLEX ELECTRONIC TECHNOLOGIES, LLC AND SHOULD NOT BE USED WITHOUT WRITTEN PERMISSION											
RE-MASTERED IN EC TR EC NO: 118407 DRWN: MUM CHK'D: GMENARLY REV APPR: KHLIM	GENERAL TOLERANCES (UNLESS SPECIFIED)		DIMENSION UNITS		SCALE		  <b>2MM DUAL ROW VERTICAL RECEPTACLE, SMT</b>  <b>PRODUCT CUSTOMER DRAWING</b>				
			MM    INCH		MM    NTS						
	4 PLACES ±    ±		DRWN BY		DATE						
	3 PLACES ±    ±		AAB		1989/05/15						
	2 PLACES ± 0.25 ±		CHK'D BY		DATE						
	1 PLACES ± 0.38 ±		MJM		1989/05/15						
0 PLACES ±    ±		APP'R BY		DATE							
		LBLEE		2014/08/01							
ANGULAR TOL = 3.0		DRAWING SIZE		THIRD ANGLE PROJECTION							
DRAFT WHERE APPLICABLE MUST REMAIN WITHIN DIMENSIONS		A3									
SERIES			MATERIAL NUMBER			CUSTOMER					
79109			SEE TABLE			GENERAL MARKET					
DOCUMENT NUMBER						DOC TYPE	DOC PART	SHEET NUMBER			
SDA-79109-XXXX						PSD	001	5 OF 9			

RELEASE STATUS	RELEASE DATE
----------------	--------------

9 8 7 6 5 4 3 2 1

E

E

D

D

PEG OPTION  
SPECIAL PACKAGING (TAPE PACKED WITHOUT CAP )

CKT. SIZE	DIM. "A"	DIM. "B"	DIM. "C"	DIM. "D"	ITEM NO.	PLATING OPTION SEE SHEET 1
50	48.00	50.19	46.00	4.65	79109-9103	5

C

C


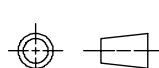
B

B

A

A

THIS DRAWING CONTAINS INFORMATION THAT IS PROPRIETARY TO MOLEX ELECTRONIC TECHNOLOGIES, LLC AND SHOULD NOT BE USED WITHOUT WRITTEN PERMISSION

RE-MASTERED IN ECTR EC NO: 118407 DRWN: MUM CHK'D: GMENARLY REV APPR: KHLIM	2017/04/04		2017/06/23		2017/07/11		GENERAL TOLERANCES (UNLESS SPECIFIED)		DIMENSION UNITS		SCALE						
							MM INCH		MM NTS								
	4 PLACES		±		±		AAB		DRWN BY		DATE		2MM DUAL ROW VERTICAL RECEPTACLE, SMT				
	3 PLACES		±		±		MJM		CHK'D BY		DATE						
	2 PLACES		± 0.25		±		LBLEE		APPR BY		DATE						
	1 PLACES		± 0.38		±								PRODUCT CUSTOMER DRAWING				
0 PLACES		±		±													
						ANGULAR TOL = 3.0		DRAWING SIZE		THIRD ANGLE PROJECTION		79109	MATERIAL NUMBER		CUSTOMER		
						DRAFT WHERE APPLICABLE MUST REMAIN WITHIN DIMENSIONS		A3				SEE TABLE		GENERAL MARKET			
N												DOCUMENT NUMBER		PSD	DOC PART	SHEET NUMBER	
												SDA-79109-XXXX		001	6 OF 9		

RELEASE STATUS	RELEASE DATE
----------------	--------------

9 8 7 6 5 4 3 2 1

FORMA: Met-lega-master-ib-prod-A3  
REVISION: C  
DATE: 2016/02/04


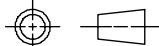
ASSEMBLIES WITH PEGS  
VOIDED CIRCUIT OPTION

CKT. SIZE	ASSEMBLY (WITHOUT CAP IN TUBE)	VOID LOCATION(S) SEE SHEET 1 FOR CONVENTION		PLATING OPTION	DIM."A"	DIM."B"	DIM."C"	DIM."D"
	ITEM NO.	ROW	CKT. NO.(S)					
48	79109-6011	ROW A	1, 24	5	46.00	48.19	44.00	4.65
44	79109-6012	ROW B	10	5	42.00	44.19	42.00	4.65

NOTES:

1. TERMINALS WILL BE PRESENT IN VOIDED LOCATIONS. HOWEVER, PIN WINDOWS WILL BE CLOSED.
2. VOIDS CAN ONLY BE PRESENT IN ONE ROW OF A CONNECTOR.

THIS DRAWING CONTAINS INFORMATION THAT IS PROPRIETARY TO MOLEX ELECTRONIC TECHNOLOGIES, LLC AND SHOULD NOT BE USED WITHOUT WRITTEN PERMISSION

RE-MASTERED IN ECTR EC NO: 118407 DRWN: MUM CHKD: GMENARLY REV APPR: KHLIM	GENERAL TOLERANCES (UNLESS SPECIFIED)		DIMENSION UNITS		SCALE					
		MM	INCH	MM	NTS					
	4 PLACES ±			DRWN BY	DATE		2MM DUAL ROW VERTICAL RECEPTACLE, SMT			
	3 PLACES ±			AAB	1989/05/15					
	2 PLACES ± 0.25			CHK'D BY	DATE					
	1 PLACES ± 0.38			MJM	1989/05/15		PRODUCT CUSTOMER DRAWING			
0 PLACES ±			APPR BY	DATE						
			LBLEE	2014/08/01		SERIES	MATERIAL NUMBER	CUSTOMER		
	ANGULAR TOL = 3.0		DRAWING SIZE	THIRD ANGLE PROJECTION		79109	SEE TABLE	GENERAL MARKET		
	DRAFT WHERE APPLICABLE MUST REMAIN WITHIN DIMENSIONS		A3			DOCUMENT NUMBER		DOC TYPE	DOC PART	SHEET NUMBER
						SDA-79109-XXXX		PSD	001	7 OF 9

RELEASE STATUS	RELEASE DATE
----------------	--------------



# SPECIAL - CUSTOM TERMINAL FEET

## PEG OPTION

CKT. SIZE	DIM. "A"	DIM. "B"	DIM. "C"	DIM. "D"	PLATING OPTION 5			
					ITEM NO. TUBE PACKED (WITHOUT CAP)	ITEM NO. TAPE PACKED (WITH CAP)	ITEM NO. TUBE PACKED (WITH CAP)	
04	2.00	4.19	-	4.70	X		X 79109-8751	X
06	4.00	6.19	2.00	4.70	X		X 79109-8752	X
08	6.00	8.19	4.00	4.70	X		X 79109-8753	X
10	8.00	10.19	6.00	4.70	X		X 79109-8754	X
12	10.00	12.19	8.00	4.70	X		X 79109-8755	X
14	12.00	14.19	10.00	4.70	X		X 79109-8756	X
16	14.00	16.19	12.00	4.70	X		X 79109-8757	X
18	16.00	18.19	14.00	4.70	X		X 79109-8758	X
20	18.00	20.19	16.00	4.70	X		X 79109-8759	X
22	20.00	22.19	18.00	4.70	X		X 79109-8760	X
24	22.00	24.19	20.00	4.70	X		X 79109-8761	X
26	24.00	26.19	22.00	4.70	X		X 79109-8762	X
28	26.00	28.19	24.00	4.70	X		X 79109-8763	X
30	28.00	30.19	26.00	4.70		79109-7010	X 79109-8764	X 79109-7065
32	30.00	32.19	28.00	4.70	X		X 79109-8765	X
34	32.00	34.19	30.00	4.70	X		X 79109-8766	X
36	34.00	36.19	32.00	4.70	X		X 79109-8767	X
38	36.00	38.19	34.00	4.70	X		X 79109-8768	X
40	38.00	40.19	36.00	4.70	X		X 79109-8769	X
42	40.00	42.19	38.00	4.70	X		X N.A.	X
44	42.00	44.19	40.00	4.70		79109-7016	X N.A.	X
46	44.00	46.19	42.00	4.70	X		X N.A.	X
48	46.00	48.19	44.00	4.70	X		X N.A.	X
50	48.00	50.19	46.00	4.70		79109-7015	X N.A.	X

'X' INDICATES TOOLING NOT AVAILABLE

THIS DRAWING CONTAINS INFORMATION THAT IS PROPRIETARY TO MOLEX ELECTRONIC TECHNOLOGIES, LLC AND SHOULD NOT BE USED WITHOUT WRITTEN PERMISSION

RE-MASTERED IN ECTR EC NO: 118407 DRWN: MUM CHK'D: GMENARLY REV APPR: KHLIM	2017/04/04	GENERAL TOLERANCES (UNLESS SPECIFIED)		DIMENSION UNITS	SCALE	  2MM DUAL ROW VERTICAL RECEPTACLE, SMT  PRODUCT CUSTOMER DRAWING				
	2017/06/23	MM	INCH	MM	NTS					
	2017/07/11	4 PLACES ±	±	DRWN BY	DATE		AAB	1989/05/15		
	N	3 PLACES ±	±	CHK'D BY	DATE		MJM	1989/05/15		
	REV	2 PLACES ±	0.25	APPR BY	DATE		LBLEE	2014/08/01		
	APP	1 PLACES ±	0.38	DRAWING SIZE	THIRD ANGLE PROJECTION		A3			
		0 PLACES ±	±			SERIES	MATERIAL NUMBER	CUSTOMER		
		ANGULAR TOL = 3.0				79109	SEE TABLE	GENERAL MARKET		
		DRAFT WHERE APPLICABLE MUST REMAIN WITHIN DIMENSIONS				DOCUMENT NUMBER		DOC TYPE	DOC PART	SHEET NUMBER
						SDA-79109-XXXX		PSD	001	8 OF 9

RELEASE STATUS	RELEASE DATE
----------------	--------------

SPECIAL - CUSTOM TERMINAL FEET  
VOIDED CURCUIT OPTION

CKT. SIZE	ASSEMBLY		VOID LOCATION(S) SEE SHEET 1 FOR CONVENTION		PLATING OPTION	DIM."A"	DIM."B"	DIM."C"	DIM."D"	PEG OPTION
	ITEM NO. TUBE PACKED (WITHOUT CAP)	ITEM NO. TAPE PACKED (WITH CAP)	ROW	CKT. NO.(S)						
48	79109-7011	X 79109-8385	ROW A	1, 24	5	46.00	48.19	44.00	4.70	YES
42	79109-7012	X 79109-8386	ROW A	1, 21	5	40.00	42.19	38.00	4.70	YES
20	79109-7013	79109-8387	ROW A	1, 10	5	18.00	20.19	16.00	4.70	YES
50	79109-7014	X 79109-8388	ROW B	13	5	48.00	50.19	46.00	4.70	YES
50	79109-7017	79109-8988	ROW B	13	5	48.00	50.19	46.00	4.70	NO

'X' INDICATES TOOLING NOT AVAILABLE.

NOTES:

1. TERMINALS WILL BE PRESENT IN VOIDED LOCATIONS. HOWEVER, PIN WINDOWS WILL BE CLOSED.
2. VOIDS CAN ONLY BE PRESENT IN ONE ROW OF A CONNECTOR.

THIS DRAWING CONTAINS INFORMATION THAT IS PROPRIETARY TO MOLEX ELECTRONIC TECHNOLOGIES, LLC AND SHOULD NOT BE USED WITHOUT WRITTEN PERMISSION												
RE-MASTERED IN ECTR	2017/04/04 2017/06/23 2017/07/11	GENERAL TOLERANCES (UNLESS SPECIFIED)		DIMENSION UNITS		SCALE		<b>molex®</b>				
		MM	INCH	MM	INCH	MM	NTS					
		4 PLACES	±	±	DRWN BY		DATE		2MM DUAL ROW VERTICAL RECEPTACLE, SMT			
		3 PLACES	±	±	AAB		1989/05/15					
		2 PLACES	±	0.25	CHK'D BY		DATE					
		1 PLACES	±	0.38	MJM		1989/05/15		PRODUCT CUSTOMER DRAWING			
0 PLACES	±	±	APPR BY		DATE							
ANGULAR TOL = 3.0		DRAWING SIZE		THIRD ANGLE PROJECTION		LBLEE		2014/08/01		SERIES		
DRAFT WHERE APPLICABLE MUST REMAIN WITHIN DIMENSIONS		A3				79109		SEE TABLE		CUSTOMER		
						DOCUMENT NUMBER		DOC TYPE		DOC PART		
						SDA-79109-XXXX		PSD		001		
										SHEET NUMBER		
										9 OF 9		

RELEASE STATUS	RELEASE DATE
----------------	--------------