

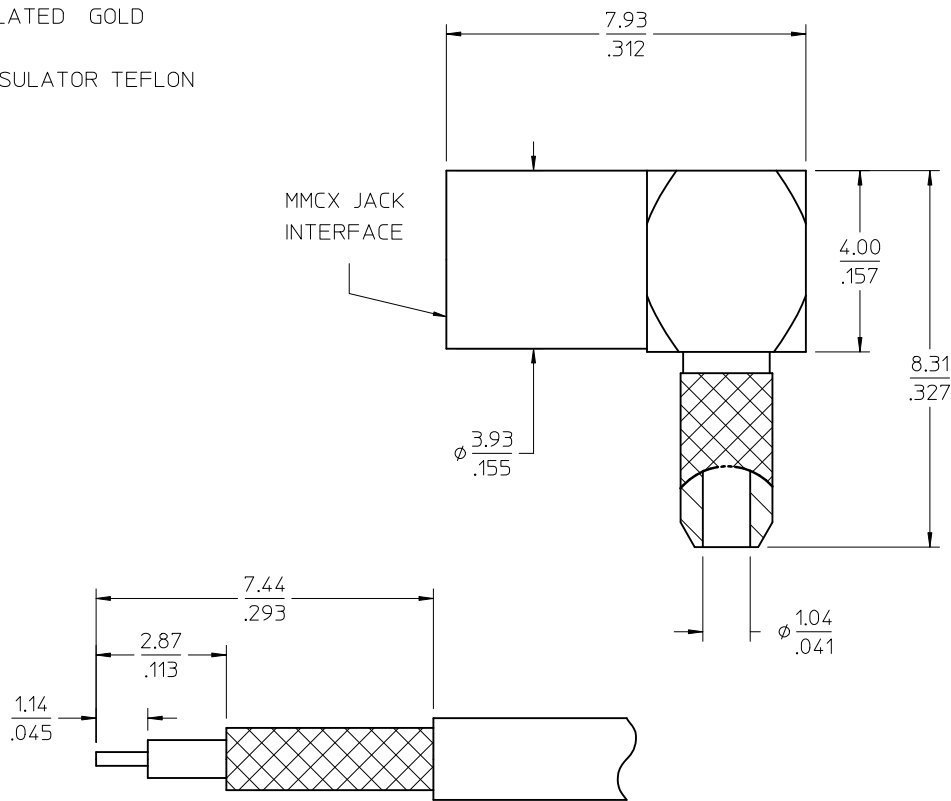
MATERIALS AND FINISHES:

BODY, CAP, CRIMP TUBE BRASS
PLATED GOLD

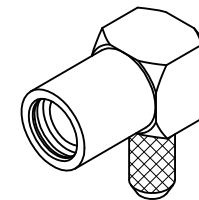
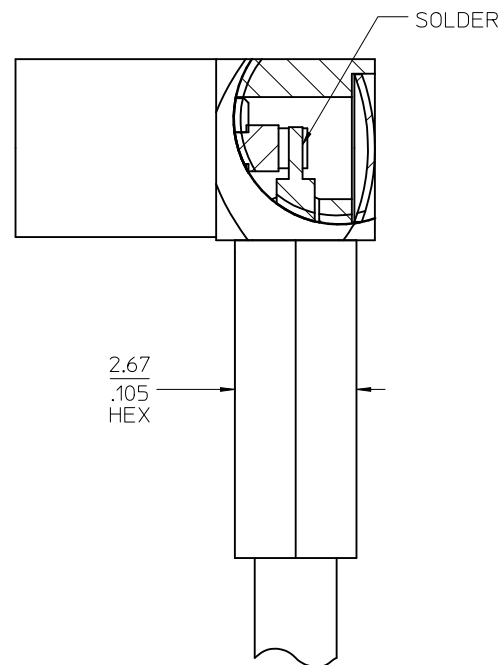
CENTER CONTACT BERYLLIUM COPPER
PLATED GOLD

INSULATOR TEFLON

MMCX JACK
INTERFACE



RECOMMENDED STRIPPING DIMENSION



73415-2362	COMMERCIAL	ONE PC 73415-2361 IN BAG
73415-2361	COMMERCIAL	TRAY
73415-2360	PER MILITARY	TRAY
PART NO.	PLATING	PACKAGING

ORIGINAL
DRAWN BY:
JACK LIN
2000/09/20

PS-89675-1920	PRODUCT SPECIFICATION
CECC-22-340	INTERFACE
SPECIFICATION	DESCRIPTION

CHG: REDREW IN SD REMOVE AS ADDED STRIPPING DIMENSION AND -2362	EC NO: URF2011-0639	2011/04/28
	DRW:SSHAN	2011/05/03
DESCRIPTION	CHKD:ROBERTSON	2011/05/03
	APPR:JWIENER	2011/05/05
REV	C1	

QUALITY SYMBOLS ▽=0 ▽=0	GENERAL TOLERANCES (UNLESS SPECIFIED)	DIMENSION STYLE MM/IN	SCALE	DESIGN UNITS METRIC	THIRD ANGLE PROJECTION
	4 PLACES ± --- ± ---	mm INCH	DRAWN BY SSHAN	DATE 2011/04/28	TITLE MMCX JACK RA 50 OHMS RG178 MMCX-JC/RA
3 PLACES ± --- ± ---		CHECKED BY	DATE		
2 PLACES ± --- ± ---		APPROVED BY JWIENER	DATE 2011/05/05		
1 PLACE ± --- ± ---		MATERIAL NO.	DOCUMENT NO.		
	ANGULAR ± 2 °	SEE TABLE			
	DRAFT WHERE APPLICABLE MUST REMAIN WITHIN DIMENSIONS	MOLEX INCORPORATED			
		SD-73415-236		SHEET NO. 1 OF 1	
		THIS DRAWING CONTAINS INFORMATION THAT IS PROPRIETARY TO MOLEX INCORPORATED AND SHOULD NOT BE USED WITHOUT WRITTEN PERMISSION			