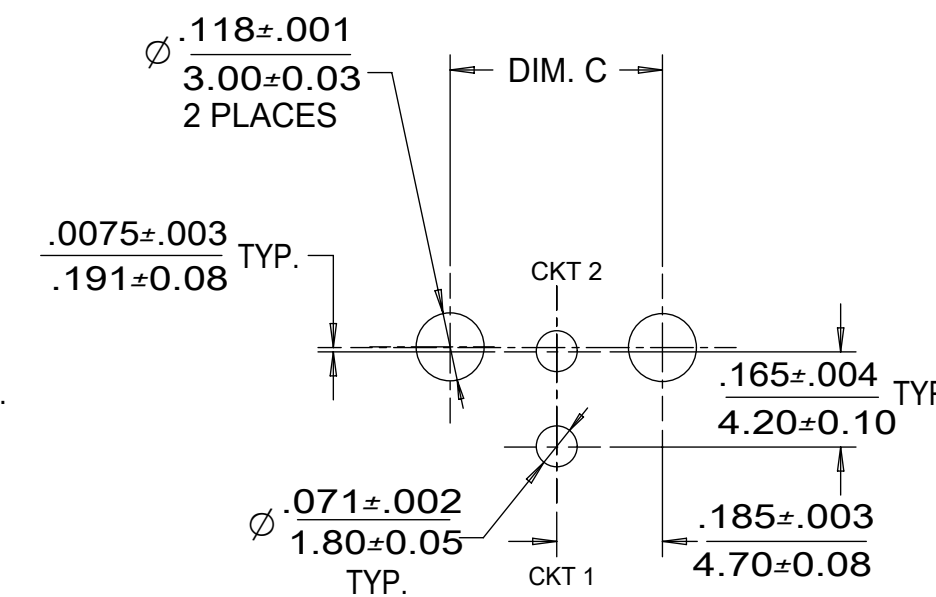
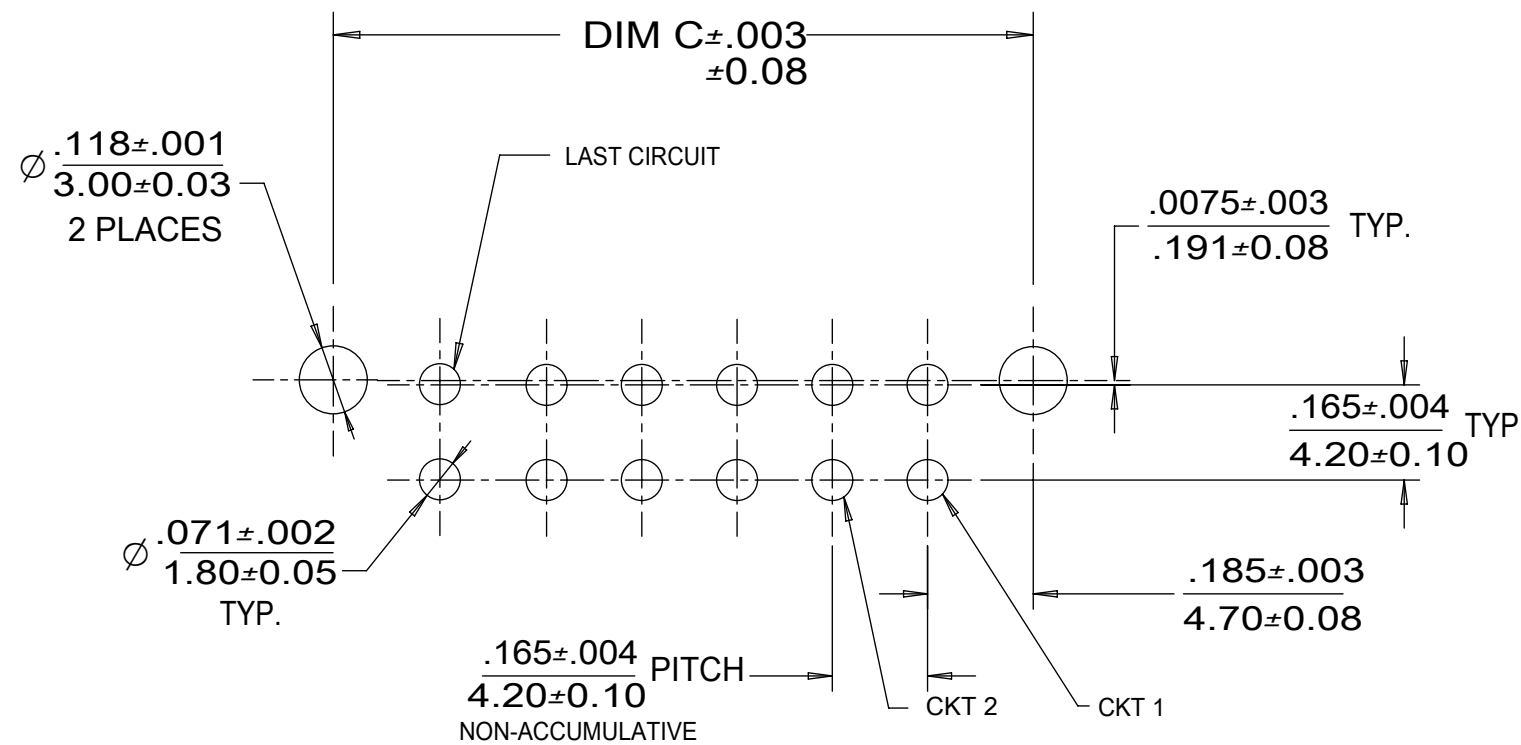
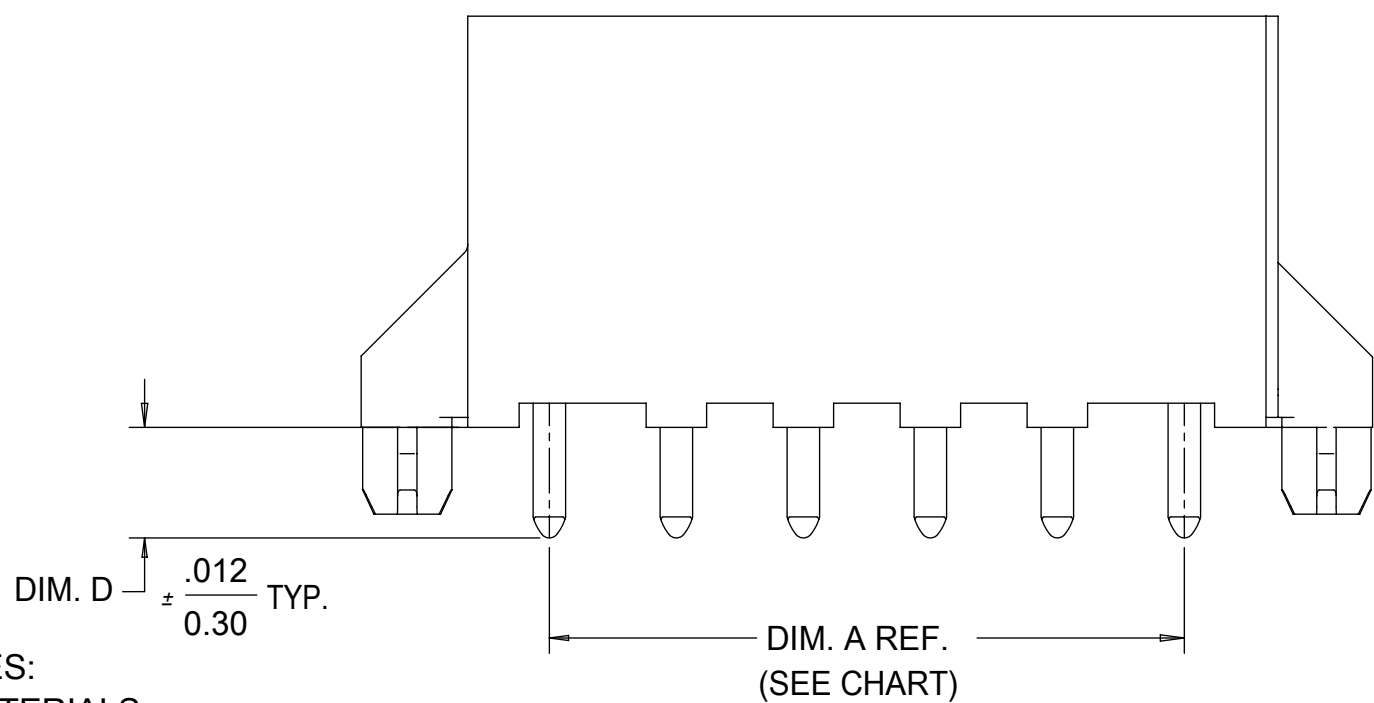
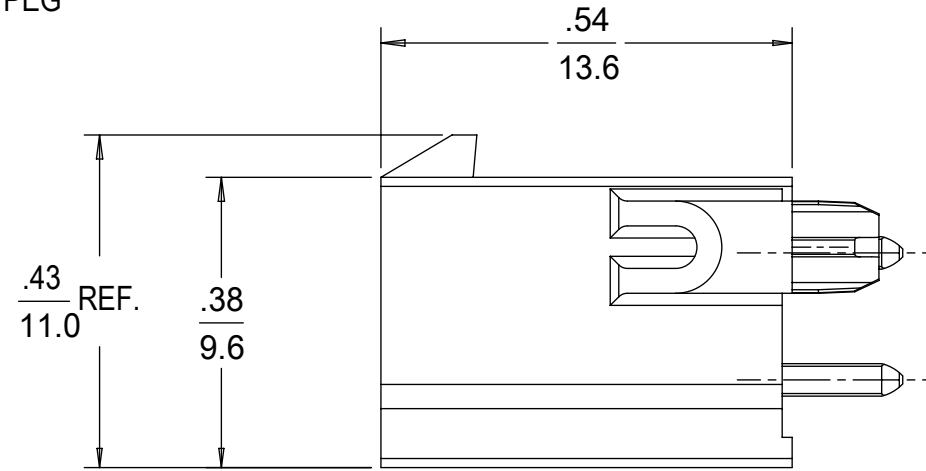
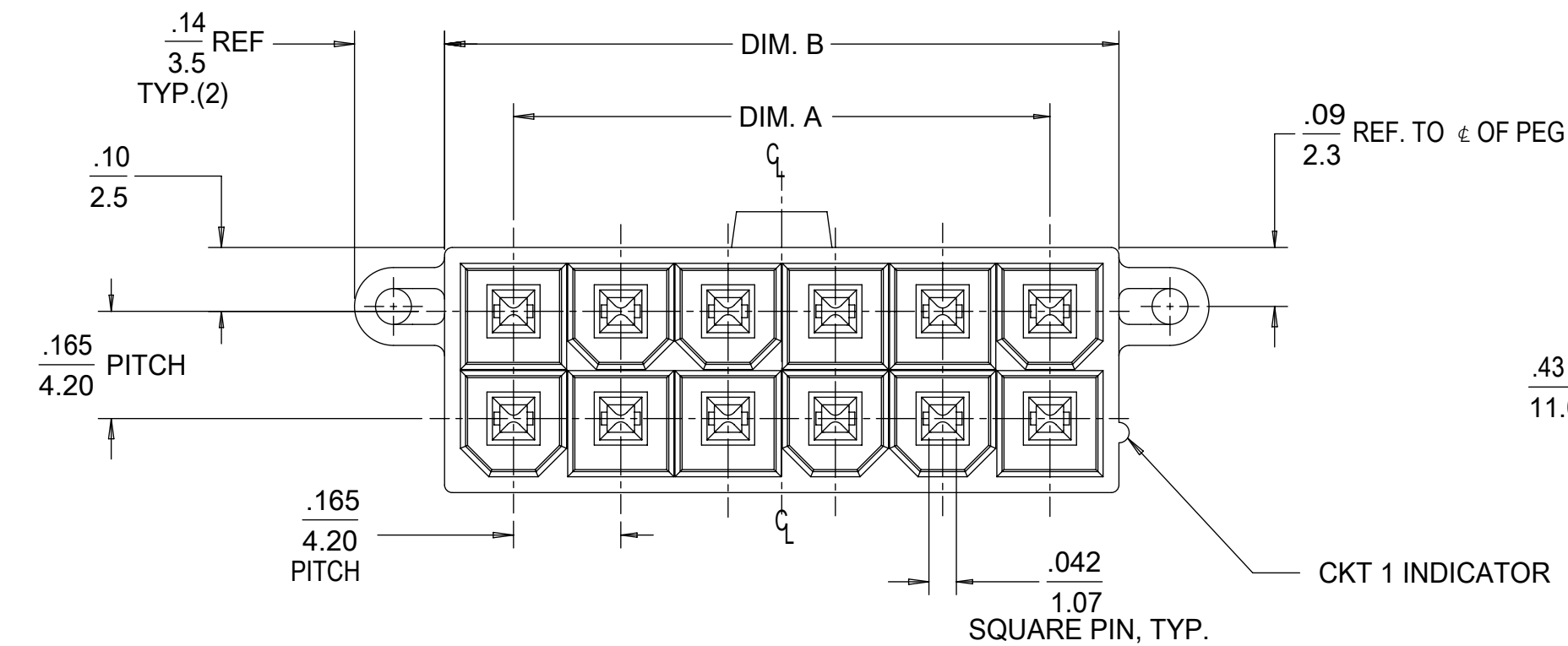


CIRCUIT SIZE	DIM. A	DIM. B	DIM. C
02	NA	0.21/5.4	0.37/9.4
04	0.165/4.20	0.38/9.6	0.535/13.60
06	0.331/8.40	0.54/13.8	0.701/17.80
08	0.496/12.60	0.71/18.0	0.866/22.00
10	0.661/16.80	0.87/22.2	1.031/26.20
12	0.827/21.00	1.04/26.4	1.197/30.40
14	0.992/25.20	1.21/30.6	1.362/34.60
16	1.160/29.40	1.37/34.8	1.528/38.80
18	1.323/33.60	1.54/39.0	1.693/43.00
20	1.488/37.80	1.70/43.2	1.858/47.20
22	1.654/42.00	1.87/47.4	2.024/51.40
24	1.819/46.20	2.03/51.6	2.189/55.60

2 CKT SHOWN

ISOMETRIC VIEW
(12 CKT - SHOWN)



LAYOUT FOR
4-24 CIRCUIT

LAYOUT FOR
2 CIRCUIT

RECOMMENDED PCB HOLE LAYOUT COMPONENT SIDE
(SCALE 3:1)

- NOTES:
1. MATERIALS:
HOUSING - LIQUID CRYSTAL POLYMER (LCP), GLASS FILLED, UL 94, V-0, COLOR: BLACK
TERMINAL - BRASS ALLOY
 2. TERMINAL PLATING:
TIN= .000100/0.00254 MIN MATTE TIN OVER
.000050/0.00127 MIN NICKEL OVERALL
GOLD= .000030/0.00076 MIN. SELECT GOLD AND
.000100/0.00254 MIN. SELECT MATTE TIN OVER
.000050/0.00127 MIN NICKEL OVERALL
 3. PRODUCT SPECIFICATION: PS-46207-001
 4. PACKAGING SPECIFICATION: TRAY PACK PER PK-46207-001
TAPE AND REEL PACK PER PK-46207-002
 5. PART MATES WITH MINIFIT JR RECEPTACLE SERIES 5557
 6. DISCOLORIZATION IN THE BANDOLIER CARRIER AREA OF THE PIN IS INHERENT TO THE PLATING PROCESS AND IS DUE TO THE MASKING EFFECT OF THE CARRIER. THIS DISCOLORIZATION IS A NON-FUNCTIONAL AREA OF THE PIN AND WILL NOT AFFECT THE PERFORMANCE OF THE HEADER ASSEMBLY.
 7. CONNECTORS ARE NOT TO BE MATED OR UNMATED WHILE CIRCUITS ARE LIVE.
 8. PARTS ARE NOT DESIGNED FOR CURRENT SHARING.
 9. THIS PART CONFORMS TO CLASS B REQUIREMENTS OF COSMETIC SPECIFICATION PS-45499-002.
 10. TEXT ON PART IS FOR REFERENCE ONLY. TEXT AND TEXT LOCATION MAY VARY DEPENDING ON PART NUMBER AND/OR TOOL.

QUALITY SYMBOLS ▽ = 0 ▽ = 0 ▽ = 0 ▽ = 0 ▽ = 0 ▽ = 0 ▽ = 0 ▽ = 0 ▽ = 0 ▽ = 0 ▽ = 0 ▽ = 0	THIS DRAWING CONTAINS INFORMATION THAT IS PROPRIETARY TO MOLEX ELECTRONIC TECHNOLOGIES, LLC AND SHOULD NOT BE USED WITHOUT WRITTEN PERMISSION EC NO: 119947 DRWN: BAPPELDORN CHKD: JBELL APPR: FSMITH RELEASE-7006 2017/07/27 2017/08/02 2017/08/07	GENERAL TOLERANCES (UNLESS SPECIFIED)		DIMENSION UNITS		SCALE		
		MM	INCH	IN/MM		4:1		
		4 PLACES ±	±	DRWN BY		DATE		
		3 PLACES ±	± 0.005	DROSCA		08/07/2006		
2 PLACES ±	± 0.13 ± 0.01	CHK'D BY		DATE				
1 PLACES ±	± 0.25 ±	BWIRKUS		08/07/2006				
0 PLACES ±	±	APPR BY		DATE				
ANGULAR TOL = 0.5		BWIRKUS		08/07/2006				
DRAFT WHERE APPLICABLE MUST REMAIN WITHIN DIMENSIONS		DRAWING SIZE		THIRD ANGLE PROJECTION				
		C						


PRODUCT CUSTOMER DRAWING		
SERIES	MATERIAL NUMBER	CUSTOMER
46207	SEE CHART	GENERAL MARKET
DOCUMENT NUMBER	DOC TYPE	DOC PART SHEET NUMBER
SD-46207-001	PSD	000 1 OF 2

GOLD PLATING				
CIRCUIT SIZE	TAPE & REEL MATERIAL NUMBER	TRAY PACKED MATERIAL NUMBER	DIM. D	PCB THICKNESS
02	462077002	462075002	0.144/3.66	0.062
04	462077004	* 462075004	0.144/3.66	0.062
06	462077006	462075006	0.144/3.66	0.062
08	462077008	* 462075008	0.144/3.66	0.062
10	462077010	* 462075010	0.144/3.66	0.062
12	462077012	* 462075012	0.144/3.66	0.062
14	462077014	* 462075014	* 0.144/3.66	0.062
16	462077016	* 462075016	* 0.144/3.66	0.062
18	462077018	* 462075018	* 0.144/3.66	0.062
20	462077020	* 462075020	* 0.144/3.66	0.062
22	462077022	* 462075022	* 0.144/3.66	0.062
24	462077024	* 462075024	0.144/3.66	0.062
02		462075102	* 0.176/4.46	0.093
04		462075104	* 0.176/4.46	0.093
06		462075106	* 0.176/4.46	0.093
08		462075108	* 0.176/4.46	0.093
10		462075110	* 0.176/4.46	0.093
12		462075112	* 0.176/4.46	0.093
14		462075114	* 0.176/4.46	0.093
16		462075116	* 0.176/4.46	0.093
18		462075118	* 0.176/4.46	0.093
20		462075120	* 0.176/4.46	0.093
22		462075122	* 0.176/4.46	0.093
24		462075124	* 0.176/4.46	0.093
02		462075202	* 0.207/5.26	0.125
04		462075204	* 0.207/5.26	0.125
06		462075206	* 0.207/5.26	0.125
08		462075208	* 0.207/5.26	0.125
10		462075210	* 0.207/5.26	0.125
12		462075212	* 0.207/5.26	0.125
14		462075214	* 0.207/5.26	0.125
16		462075216	* 0.207/5.26	0.125
18		462075218	* 0.207/5.26	0.125
20		462075220	* 0.207/5.26	0.125
22		462075222	* 0.207/5.26	0.125
24		462075224	* 0.207/5.26	0.125

* DESIGNATES PART NOT RELEASED
CONTACT FACTORY FOR AVAILABILITY.

TIN PLATING				
CIRCUIT SIZE	TAPE & REEL MATERIAL NUMBER	TRAY PACKED MATERIAL NUMBER	DIM. D	PCB THICKNESS
02	462073002	462070002	0.144/3.66	0.062
04	462073004	* 462070004	0.144/3.66	0.062
06	462073006	462070006	0.144/3.66	0.062
08	462073008	* 462070008	0.144/3.66	0.062
10	462073010	* 462070010	0.144/3.66	0.062
12	462073012	* 462070012	0.144/3.66	0.062
14	462073014	* 462070014	* 0.144/3.66	0.062
16	462073016	* 462070016	* 0.144/3.66	0.062
18	462073018	* 462070018	* 0.144/3.66	0.062
20	462073020	* 462070020	* 0.144/3.66	0.062
22	462073022	* 462070022	* 0.144/3.66	0.062
24	462073024	* 462070024	0.144/3.66	0.062
02		462070102	0.176/4.46	0.093
04		462070104	0.176/4.46	0.093
06		462070106	0.176/4.46	0.093
08		462070108	0.176/4.46	0.093
10		462070110	0.176/4.46	0.093
12		462070112	0.176/4.46	0.093
14		462070114	* 0.176/4.46	0.093
16		462070116	* 0.176/4.46	0.093
18		462070118	* 0.176/4.46	0.093
20		462070120	* 0.176/4.46	0.093
22		462070122	* 0.176/4.46	0.093
24		462070124	0.176/4.46	0.093
02		462070202	0.207/5.26	0.125
04		462070204	0.207/5.26	0.125
06		462070206	0.207/5.26	0.125
08		462070208	0.207/5.26	0.125
10		462070210	0.207/5.26	0.125
12		462070212	0.207/5.26	0.125
14		462070214	* 0.207/5.26	0.125
16		462070216	* 0.207/5.26	0.125
18		462070218	* 0.207/5.26	0.125
20		462070220	* 0.207/5.26	0.125
22		462070222	* 0.207/5.26	0.125
24		462070224	0.207/5.26	0.125

* DESIGNATES PART NOT RELEASED
CONTACT FACTORY FOR AVAILABILITY.

QUALITY SYMBOLS		THIS DRAWING CONTAINS INFORMATION THAT IS PROPRIETARY TO MOLEX ELECTRONIC TECHNOLOGIES, LLC AND SHOULD NOT BE USED WITHOUT WRITTEN PERMISSION												
▽ = 0	▽ = 0	RELEASE -7006 EC NO: 119947 DRWN: BAPPELDORN CHKD: JBELL REV APPR: FSMITH	GENERAL TOLERANCES (UNLESS SPECIFIED)				DIMENSION UNITS		SCALE					
▽ = 0	▽ = 0		MM	INCH	IN/MM		4:1							
▽ = 0	▽ = 0		4 PLACES ±	±	DRWN BY		DATE							
▽ = 0	▽ = 0		3 PLACES ±	± 0.005	DROSCA		08/07/2006		MINI-FIT RTC HI-TEMP VERTICAL HEADER IN LCP, W/PCB PEGS PRODUCT CUSTOMER DRAWING SERIES: 46207 MATERIAL NUMBER: SEE CHART CUSTOMER: GENERAL MARKET DOCUMENT NUMBER: SD-46207-001 DOC TYPE: PSD DOC PART: 000 SHEET NUMBER: 2 OF 2					
▽ = 0	▽ = 0		2 PLACES ±	± 0.13	± 0.01	CHK'D BY		DATE						
▽ = 0	▽ = 0		1 PLACES ±	± 0.25	±	BWIRKUS		08/07/2006						
▽ = 0	▽ = 0	0 PLACES ±	±	±	APPR BY		DATE							
▽ = 0	▽ = 0		ANGULAR TOL = 0.5		DRAWING SIZE		THIRD ANGLE PROJECTION							
▽ = 0	▽ = 0		DRAFT WHERE APPLICABLE MUST REMAIN WITHIN DIMENSIONS				C		