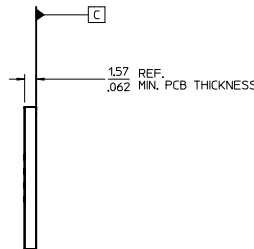
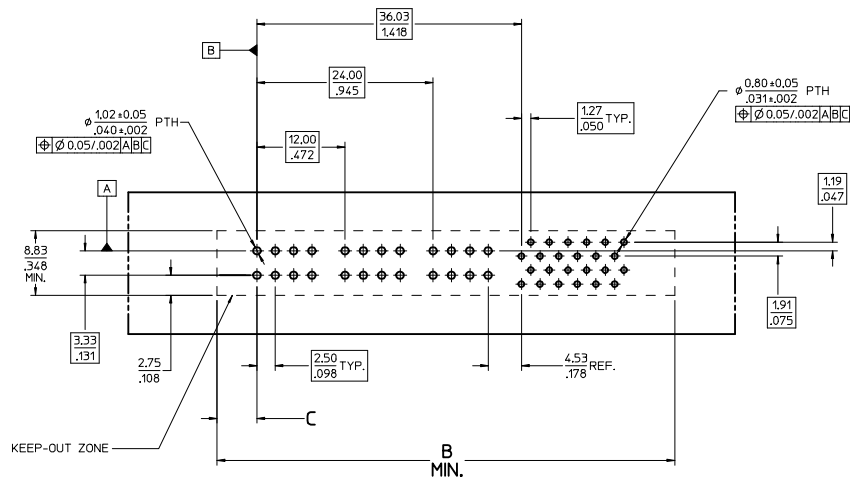
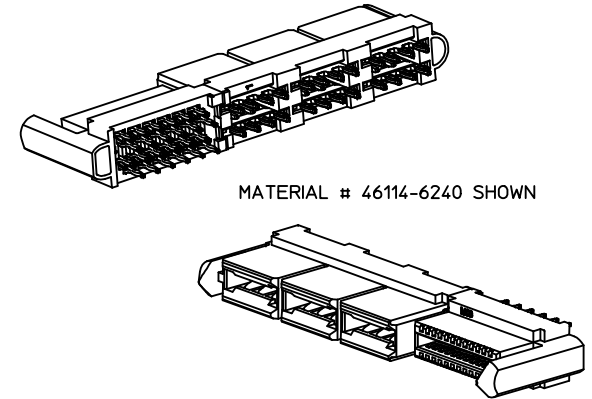


NO OF SIGNALS	MATERIAL NUMBER	COMPLIANT PIN PLATING	DIM A	DIM B	DIM C
12	46114-6120	TIN	53.01/2.087	53.51/2.107	5.45/2.15
16	46114-6160	TIN	55.55/2.187	56.05/2.207	
20	46114-6200	TIN	58.09/2.287	58.59/2.307	
24	46114-6240	TIN	60.63/2.287	61.13/2.407	
28	46114-6280	TIN	63.17/2.387	63.67/2.507	
32	46114-6320	TIN	65.71/2.487	66.21/2.607	
36	46114-6360	TIN	68.25/2.587	68.75/2.707	
40	46114-6400	TIN	70.79/2.787	71.29/2.807	

- NOTES:
1. MATERIAL: HOUSING: LCP, 94-VO, COLOR: BLACK. POWER CONTACTS: COPPER ALLOY. SIGNAL CONTACTS: MODIFIED TIN BRASS.
 2. FINISH: SELECT GOLD - 0.75 μM/30 μ INCHES. SELECTED TIN - 2.50 μM/100 μ INCHES. BOTH OVER NICKEL - 1.25 μM/50 μ INCHES
 3. POWER TERMINALS ARE LUBRICATED IN CONTACT AREA.
 4. PARTS ARE RoHS COMPLIANT.
 5. MATES TO MOLEX P/N 45985-SERIES OR EDGE CARD 1577-062.
 6. PRODUCT SPECIFICATION PS-46114-001.
 7. PACKAGING: PER PK-46114-003.

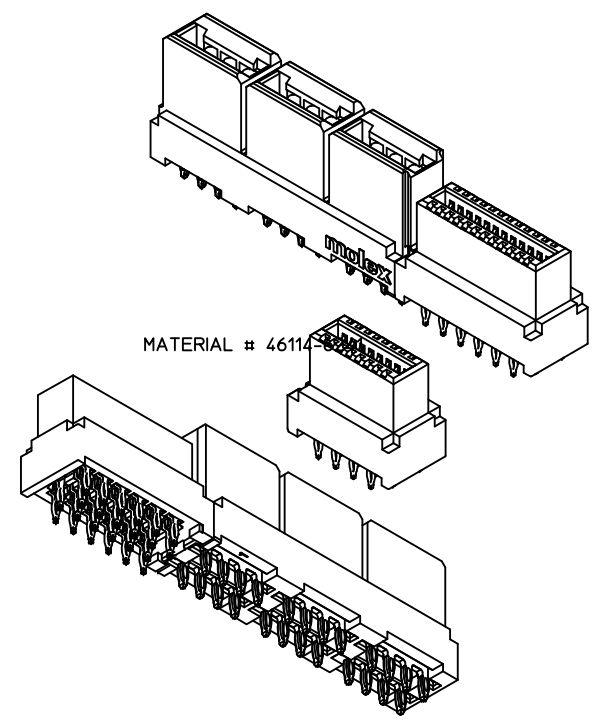
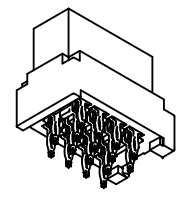
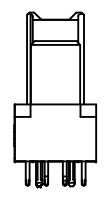
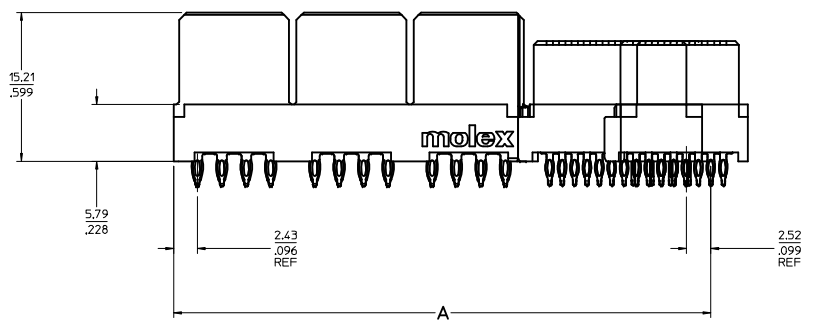
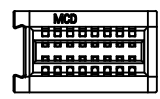
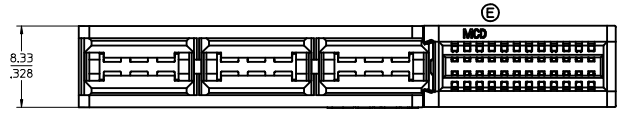


PCB COMPONENT SIDE
par2-of-top2
SCALE 3:1

QUALITY SYMBOLS		GENERAL TOLERANCES (UNLESS SPECIFIED)		DIMENSION STYLE		SCALE		DESIGN UNITS		THIRD ANGLE PROJECTION	
				MM/IN		3:1		METRIC			
▽=0	4 PLACES	mm	INCH	DRAWN BY	DATE	TITLE					
▽=0	3 PLACES	±---	±---	MKARADIMAS	2005/11/28	LPH VERTICAL RECEPTACLE ASSEMBLY 6 CIRCUIT PWR CONNECTOR, PRESS FIT					
▽=0	2 PLACES	±0.25	±.010	CHECKED BY	DATE	molex					
▽=0	1 PLACE	±---	±---	APPROVED BY	DATE	MATERIAL NO.		DOCUMENT NO.		SHEET NO.	
▽=0	0 PLACE	±---	±---	JCOMERCI	2009/12/03	SEE CHART		SD-46114-600		1 OF 3	
ANGULAR ±1/2°		DRAFT WHERE APPLICABLE MUST REMAIN WITHIN DIMENSIONS		THIS DRAWING CONTAINS INFORMATION THAT IS PROPRIETARY TO MOLEX INCORPORATED AND SHOULD NOT BE USED WITHOUT WRITTEN PERMISSION							

20 19 18 17 16 15 14 13 12 11 10 9 8 7 6 5 4 3 2 1

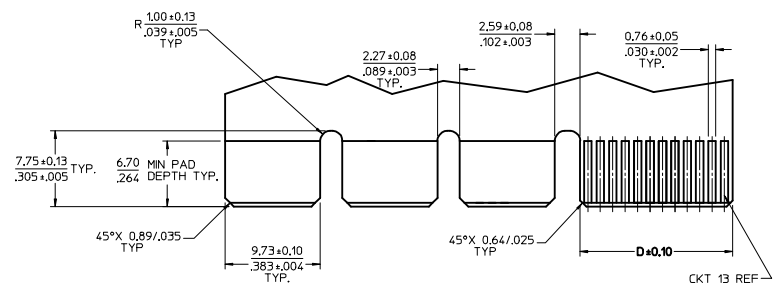
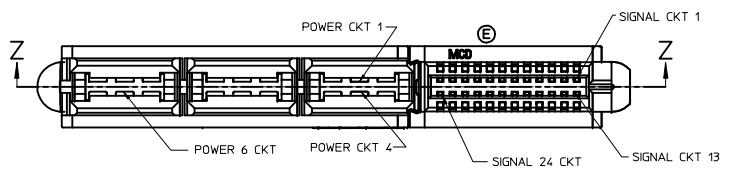
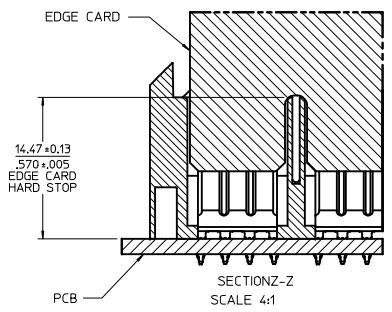
NO OF SIGNALS	MATERIAL NUMBER	COMPLIANT PIN PLATING	DIM A	DIM B	DIM C
12	46114-6121	TIN	47.34/1.864	47.84/1.883	2.69/106
16	46114-6161	TIN	49.88/1.964	50.38/1.983	
20	46114-6201	TIN	52.42/2.064	52.92/2.083	
24	46114-6241	TIN	54.96/2.164	55.46/2.183	
28	46114-6281	TIN	57.50/2.264	58.00/2.283	
32	46114-6321	TIN	60.04/2.364	60.54/2.383	
36	46114-6361	TIN	62.58/2.464	63.08/2.483	
40	46114-6401	TIN	65.12/2.564	65.62/2.583	



UPDATE LOGO EC NO: SZ016-1044 DRWNAL IN06 CHKD: ZENG APPR: KHL M	2016/05/18	2016/06/03	2016/06/10	QUALITY SYMBOLS	GENERAL TOLERANCES (UNLESS SPECIFIED)	DIMENSION STYLE	SCALE	DESIGN UNITS	THIRD ANGLE PROJECTION	
				∇=0 ∇=0 ∇=0	4 PLACES ± --- INCH 3 PLACES ± --- ±.010 2 PLACES ± 0.25 ± --- 1 PLACE ± --- ± --- 0 PLACE ± --- ± ---	MM/IN	4:1	METRIC	DRAWN BY: MKARADI MAS CHECKED BY: APATEL APPROVED BY: JCOMERCI	
					ANGULAR ±1/2° DRAFT WHERE APPLICABLE MUST REMAIN WITHIN DIMENSIONS	SEE CHART	DATE: 2005/11/28 DATE: 10/13/06 DATE: 2009/12/03			TITLE: LPH VERTICAL RECEPTACLE ASSEMBLY 6 CIRCUIT PWR CONNECTOR, PRESS FIT molex
										MATERIAL NO. SD-46114-600 DOCUMENT NO. SD-46114-600 SHEET NO. 2 OF 3

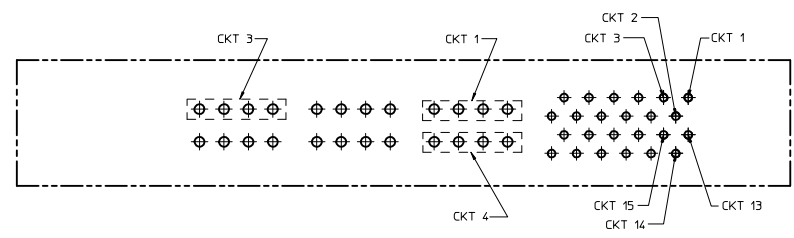
19 18 17 16 15 14 13 12 11 10 9 8 7 6 5 4 3 2 1

NO OF SIGNAL	DIM. D
12	8.00/315
16	10.54/415
20	13.08/515
24	15.62/615
28	18.16/715
32	20.70/815
36	23.24/915
40	25.78/1015



RECOMMENDED EDGE CARD LAYOUT
EDGE CARD THICKNESS: 1.57/1.062 ± 0.15/0.006
PLATING: GOLD 30 μ INCHES MIN.
OVER 150 μ INCHES NICKEL.

45°X 0.38/0.015 TYP



PCB LAYOUT: COMPONENT SIDE
SEE SH1 FOR DIMENSIONS

UPDATE LOGO EC NO: S2016-1044 DRAWN: IN06 CHKD: JZNG APPR: KHLIM 2016/05/18 2016/06/03 2016/06/10	QUALITY SYMBOLS	GENERAL TOLERANCES (UNLESS SPECIFIED)	DIMENSION STYLE	SCALE	DESIGN UNITS	THIRD ANGLE PROJECTION
	▽=0	4 PLACES ± --- ± ---	MM/IN	4:1	METRIC	☉
	▽=0	3 PLACES ± --- ± .010				
	▽=0	2 PLACES ± 0.25 ± ---				
		1 PLACE ± --- ± ---				
		0 PLACE ± ±				
		ANGULAR ±1/2°				
		DRAFT WHERE APPLICABLE MUST REMAIN WITHIN DIMENSIONS				
			MATERIAL NO.	DATE	DATE	TITLE
			SEE CHART	2005/11/28	10/13/06	LPH VERTICAL RECEPTACLE ASSEMBLY 6 CIRCUIT PWR CONNECTOR, PRESS FIT
				APPROVED BY	DATE	
				JCOMERC I	2009/12/03	
						molex
						DOCUMENT NO. SD-46114-600
						SHEET NO. 3 OF 3