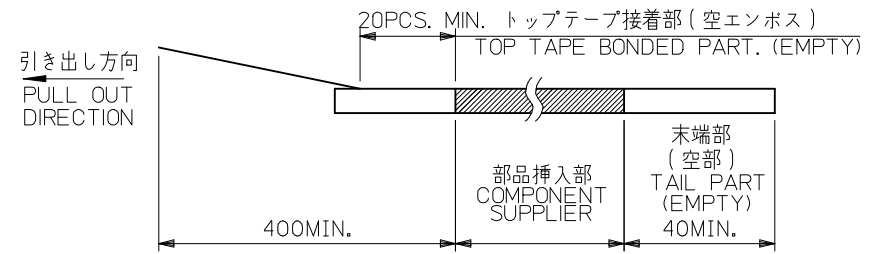
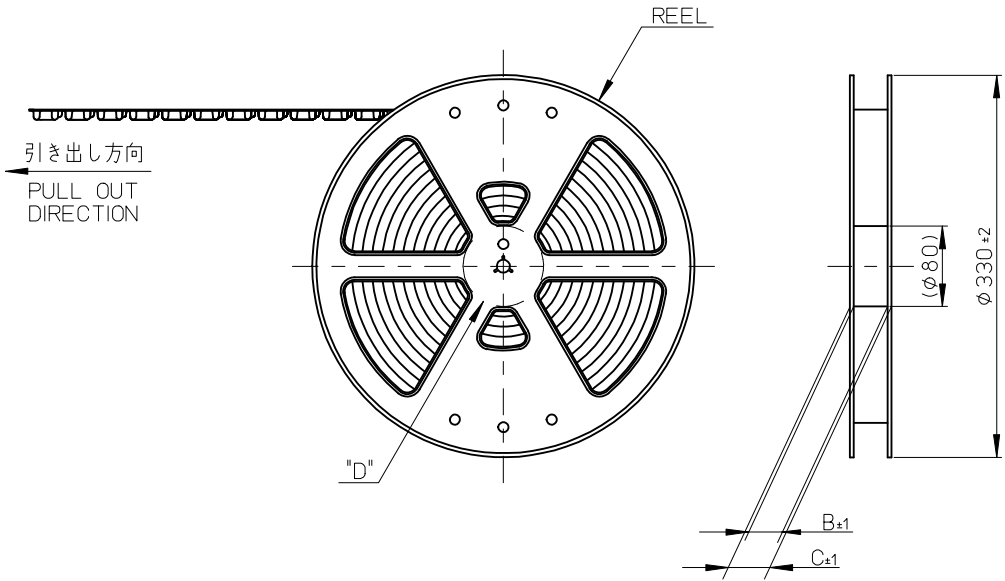
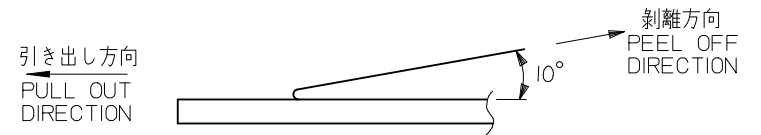


注記 NOTES

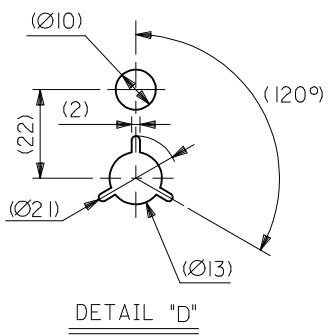
- 製品詳細寸法については製品単体図面を参照下さい。
RE DETAILED DIMENSION, SEE PRODUCT DRAWING.
- 梱包数量：3000 個／リール
NUMBER OF CONNECTORS : 3000PCS/REEL
- リードテープ長さ LEAD TAPE LENGTH



- トップテープの剥離強度：0.1N~1.3N(10gf~130gf)
(剥離方向は下図参照)
尚、本規格値は出荷時に適用。(但し、輸送時に剥離が発生しないこと。)
PEELING OFF FORCE OF TOP TAPE : 0.1N~1.3N(10gf~130gf)
(PEELING DIRECTION AS SHOWN IN FOLLOWING FIG.)
THIS REQUIREMENT SHOULD BE APPLIED AT SHIPMENT.
PEEL OFF SHOULD NOT BE ALLOWED, DURING TRANSPORTION.

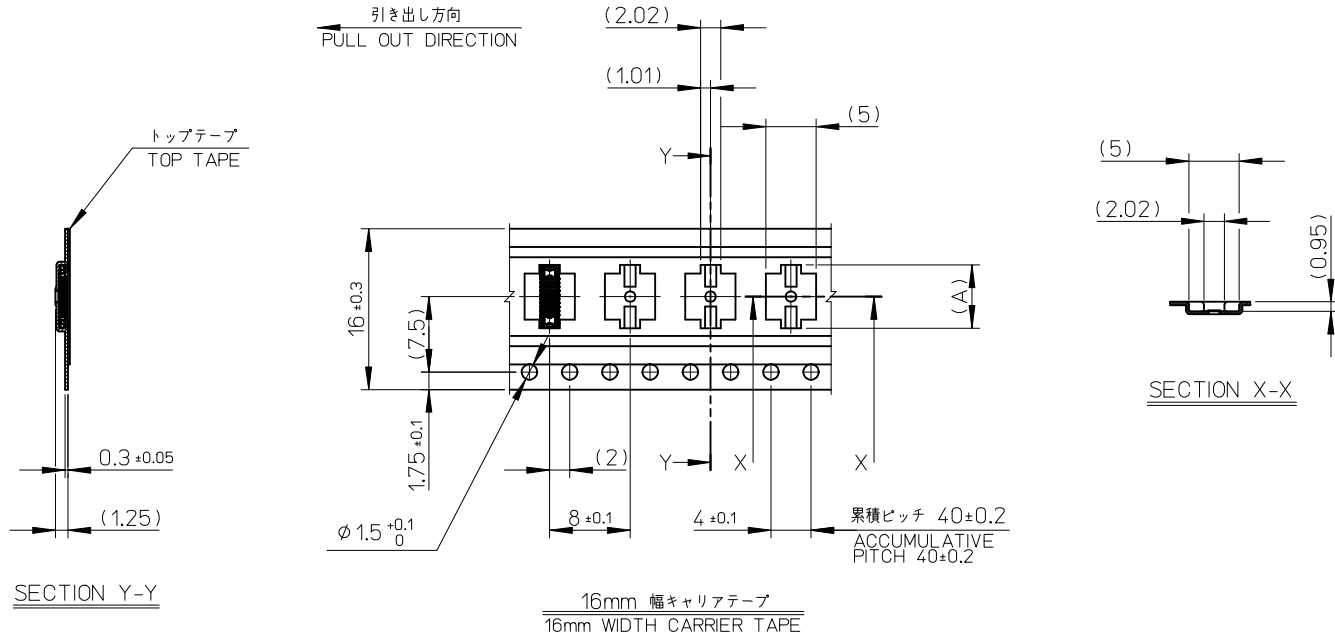


- 材料 MATERIAL
キャリアテープ (CARRIER TAPE) : ポリスチレン (POLYSTYRENE)
トップテープ (TOP TAPE) : PET , OTHER
リール (REEL) : ポリスチレン (PS) <リサイクル材を含む>
POLYSTYRENE (PS) <RECYCLE MATERIAL CONTAINED>
- ELV 及び RoHS適合品
ELV AND RoHS COMPLIANT



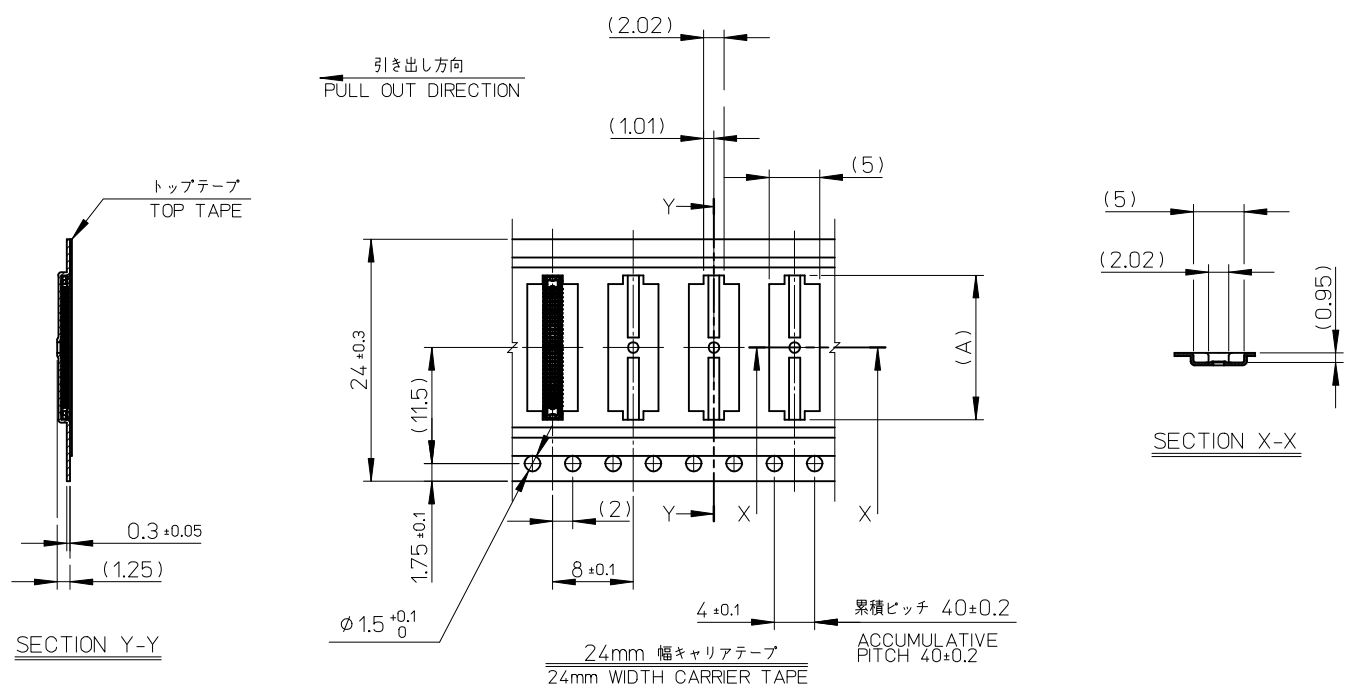
DETAIL "D"

REVISED EC NO: J2014-1050 DRAWN BY: DRWN:KAMINO 2013/12/26 CHECKED BY: CHKD:TASAKAWA 2013/12/26 APPR: KMORIKAWA 2013/12/27	GENERAL TOLERANCES (UNLESS SPECIFIED)		DIMENSION STYLE MM ONLY		SCALE ---	DESIGN UNITS METRIC	THIRD ANGLE PROJECTION
	10 UNDER	±0.2	DRAWN BY KAMINO	DATE 2013/05/23	TITLE 0.4 BB CONN. H=0.8 ST8 REC. ASSY. EMBSTP. PKG		
	10 OVER 30 UNDER	±0.25	CHECKED BY RTAKEUCHI	DATE 2013/05/23			
	30 OVER	±0.3	APPROVED BY MSASAO	DATE 2013/05/30			
ANGULAR ±1	°	MATERIAL NO. SEE SHEET 2 & 3		DOCUMENT NO. SD-504208-002	SHEET NO. 1 OF 3		
DRAFT WHERE APPLICABLE MUST REMAIN WITHIN DIMENSIONS		SIZE A3	THIS DRAWING CONTAINS INFORMATION THAT IS PROPRIETARY TO MOLEX INCORPORATED AND SHOULD NOT BE USED WITHOUT WRITTEN PERMISSION				



16	21.4	17.4	7.12	504208-2410	○	---	24
			6.32	504208-2010	○	---	20
			5.52	504208-1610	○	---	16
			5.12	504208-1410	○	---	14
			4.72	504208-1210	○	---	12
			4.32	504208-1010	○	---	10
キャリアテープ幅 CARRIER TAPE WIDTH	C	B	(A)	MATERIAL No.	量産品 MASS PRODUCTION	試作対応 LOW VOL. TOOL	極数 CIRCUIT
				MODEL No.	サンプル供給 SAMPLE PREPARATION		504208-**10

SEE SHEET 1 OF 3 EC NO: J2014-1050 DRAWN BY: DRWINKAMINO 2013/12/26 CHECKED BY: CHKD:TASAKAWA 2013/12/26 APPR: KMORIKAWA 2013/12/27	GENERAL TOLERANCES (UNLESS SPECIFIED)		DIMENSION STYLE MM ONLY		SCALE ---	DESIGN UNITS METRIC	THIRD ANGLE PROJECTION
	10 UNDER	±0.2	DRAWN BY KAMINO	DATE 2013/05/23	TITLE 0.4 BB CONN. H=0.8 ST8 REC. ASSY. EMBSTP. PKG		
	10 OVER 30 UNDER	±0.25	CHECKED BY RTAKEUCHI	DATE 2013/05/23			
	30 OVER	±0.3	APPROVED BY MSASAO	DATE 2013/05/30			
ANGULAR ±1	°	MATERIAL NO. SEE CHART		DOCUMENT NO. SD-504208-002	SHEET NO. 2 OF 3		
DRAFT WHERE APPLICABLE MUST REMAIN WITHIN DIMENSIONS		SIZE A3	THIS DRAWING CONTAINS INFORMATION THAT IS PROPRIETARY TO MOLEX INCORPORATED AND SHOULD NOT BE USED WITHOUT WRITTEN PERMISSION				



24	29.4	25.4	12.32	504208-5010	o	---	50	
			10.32	504208-4010	o	---	40	
			9.12	504208-3410	o	---	34	
			8.32	504208-3010	o	---	30	
キャリアテープ幅 CARRIER TAPE WIDTH		C	B	(A)	MATERIAL No.	量産品 MASS PRODUCTION	試作対応 LOW VOL. TOOL	極数 CIRCUIT
					MODEL No.	サンプル供給 SAMPLE PREPARATION		504208-**-10

SEE SHEET 1 OF 3 EC NO: J2014-1050 DRWN: KAMINO 2013/12/26 CHKD: TASAKAWA 2013/12/26 APPR: KMORIKAWA 2013/12/27	GENERAL TOLERANCES (UNLESS SPECIFIED)		DIMENSION STYLE MM ONLY		SCALE ---	DESIGN UNITS METRIC	THIRD ANGLE PROJECTION	
	10 UNDER	±0.2	DRAWN BY KAMINO	DATE 2013/05/23	TITLE 0.4 BB CONN. H=0.8 ST8 REC. ASSY. EMBSTP. PKG			
	10 OVER 30 UNDER	±0.25	CHECKED BY RTAKEUCHI	DATE 2013/05/23				
	30 OVER	±0.3	APPROVED BY MSASAO	DATE 2013/05/30				
ANGULAR ±1 °		DRAFT WHERE APPLICABLE MUST REMAIN WITHIN DIMENSIONS		MATERIAL NO.	DOCUMENT NO.	SHEET NO.		
		SEE CHART		SD-504208-002		3 OF 3		
THIS DRAWING CONTAINS INFORMATION THAT IS PROPRIETARY TO MOLEX INCORPORATED AND SHOULD NOT BE USED WITHOUT WRITTEN PERMISSION								

F

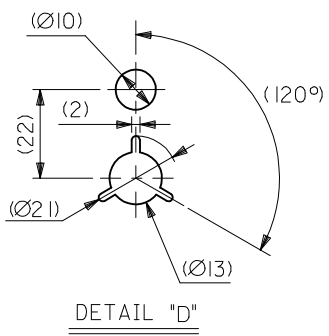
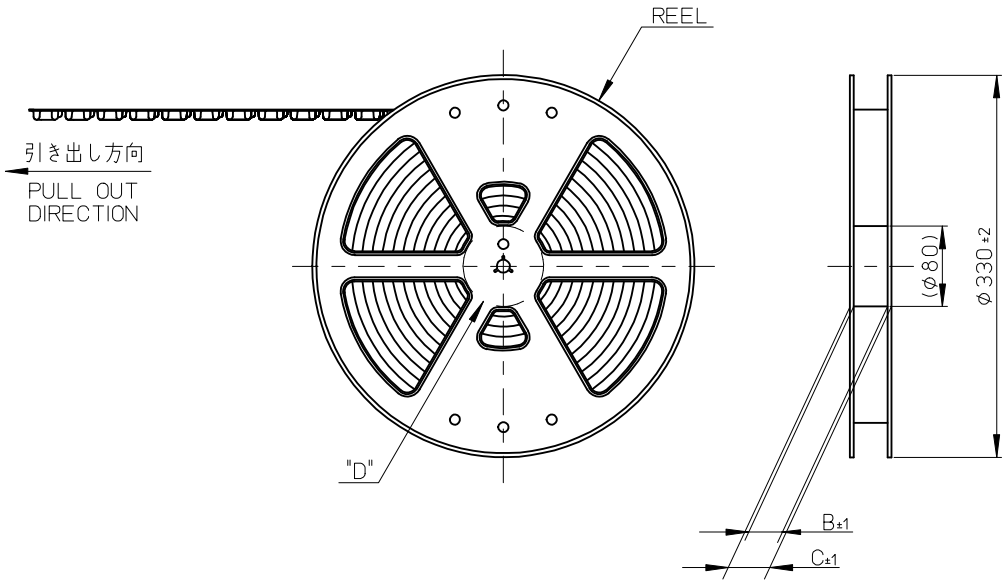
E

D

C

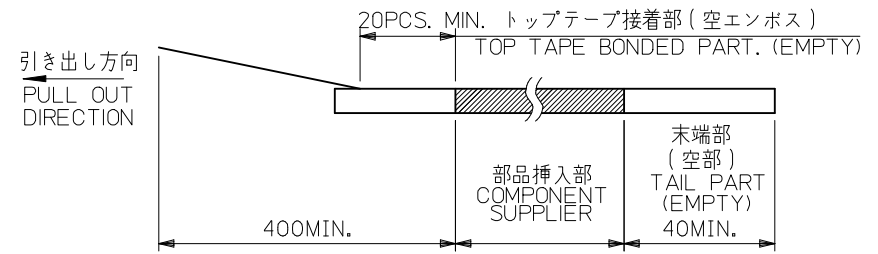
B

A



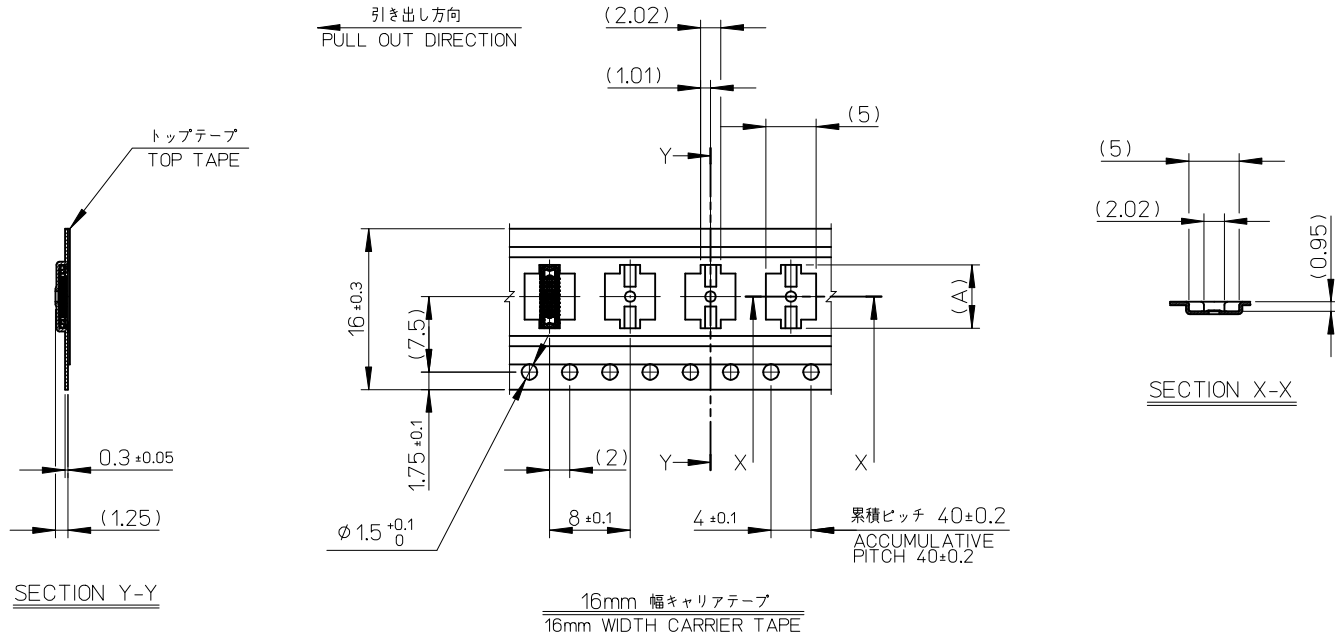
注記 NOTES

- 製品詳細寸法については製品単体図面を参照下さい。
RE DETAILED DIMENSION, SEE PRODUCT DRAWING.
- 梱包数量：3000 個／リール
NUMBER OF CONNECTORS : 3000PCS/REEL
- リードテープ長さ LEAD TAPE LENGTH



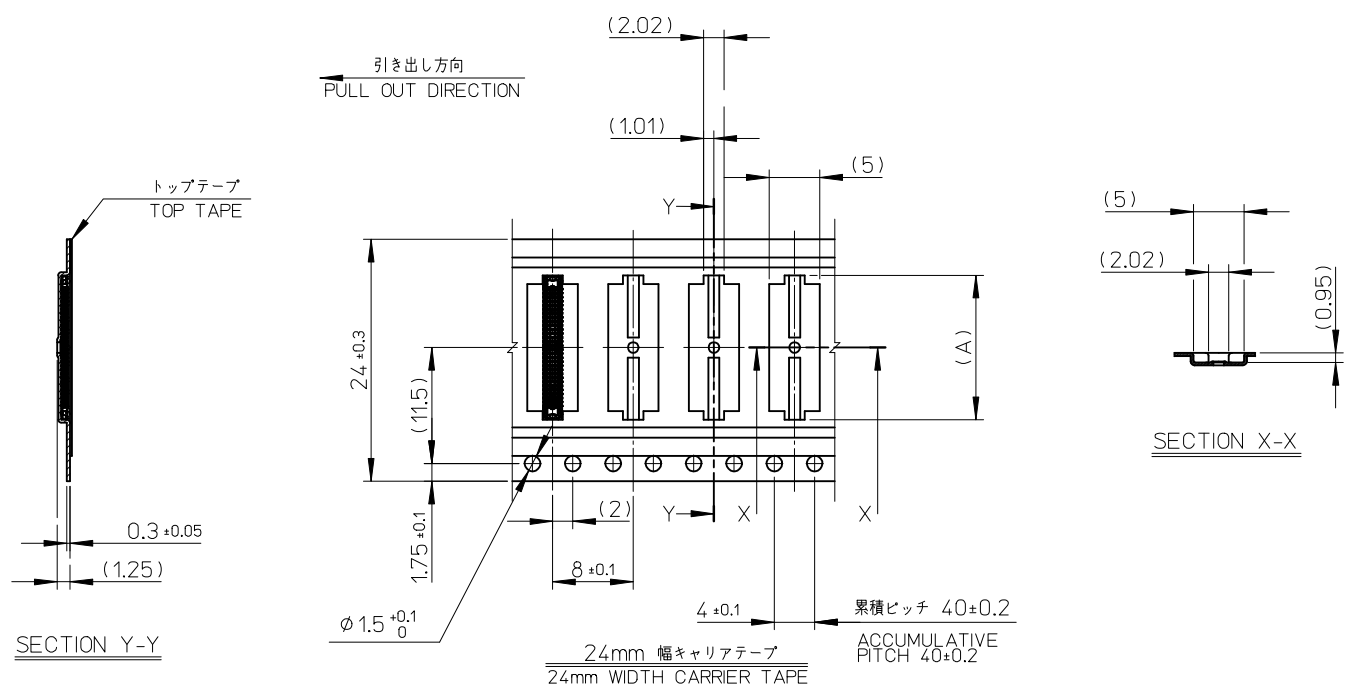
- トップテープの剥離強度については、IEC60286-3に準拠
TOP TAPE PEEL FORCE IS DEFINED BY IEC60286-3.
- 材料 MATERIAL
キャリアテープ (CARRIER TAPE) : ポリスチレン (POLYSTYRENE)
トップテープ (TOP TAPE) : PET, OTHER
リール (REEL) : ポリスチレン (PS) <リサイクル材を含む>
POLYSTYRENE (PS) <RECYCLE MATERIAL CONTAINED>
- ELV 及び RoHS適合品
ELV AND RoHS COMPLIANT

REVISED EC NO: J2015-0167 DRWNY:ISHIDA 2014/08/01 CHKD:RTAKEUCHI 2014/08/01 APPR:KMORIKAWA 2014/08/01	DESCRIPTION REV	GENERAL TOLERANCES (UNLESS SPECIFIED)		DIMENSION STYLE MM ONLY		SCALE ---	DESIGN UNITS METRIC	THIRD ANGLE PROJECTION		
		10 UNDER	±0.2	DRAWN BY KAMINO	DATE 2014/05/13	TITLE 0.4 BB CONN. H=0.8 REC ASSY. FOR CHECKER EMBSTP. PKG				
		10 OVER 30 UNDER	±0.25	CHECKED BY TASAKAWA	DATE 2014/05/14					
		30 OVER	±0.3	APPROVED BY KMORIKAWA	DATE 2014/05/15					
ANGULAR ±1		DRAFT WHERE APPLICABLE MUST REMAIN WITHIN DIMENSIONS		MATERIAL NO. SEE SHEET 2 & 3		DOCUMENT NO. SD-504208-004		SHEET NO. 1 OF 3		
SIZE A3		THIS DRAWING CONTAINS INFORMATION THAT IS PROPRIETARY TO MOLEX INCORPORATED AND SHOULD NOT BE USED WITHOUT WRITTEN PERMISSION								



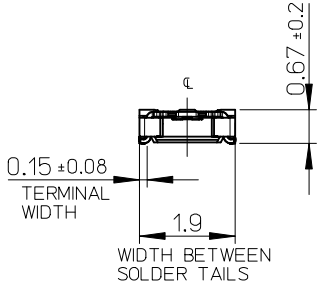
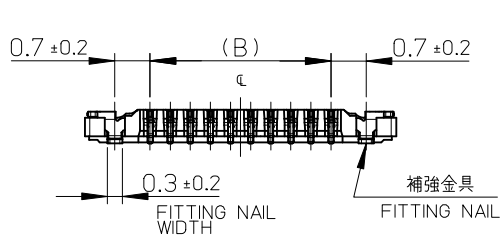
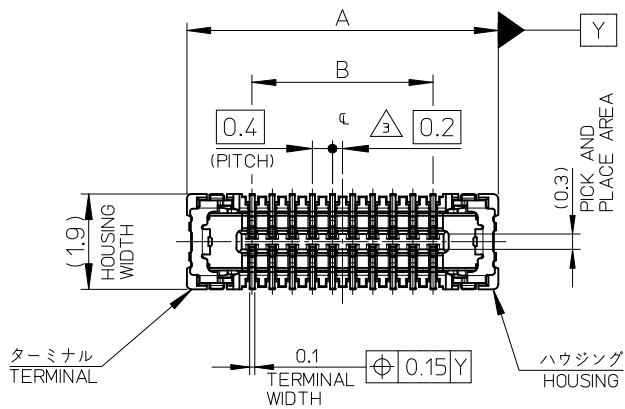
16	21.4	17.4	7.12	504208-2480	o	---	24
			6.32	504208-2080	---	---	20
			5.52	504208-1680	o	---	16
			5.12	504208-1480	---	---	14
			4.72	504208-1280	o	---	12
			4.32	504208-1080	o	---	10
キャリアテープ幅 CARRIER TAPE WIDTH	C	B	(A)	MATERIAL No.	量産品 MASS PRODUCTION	試作対応 LOW VOL. TOOL	極数 CIRCUIT
				MODEL No.	サンプル供給 SAMPLE PREPARATION		504208-**-80

SEE SHEET 1 OF 3 EC NO: J2015-0167 DRW: YI SHIDA 2014/08/01 CHKD: RTAKEUCHI 2014/08/01 APPR: KMORIKAWA 2014/08/01	GENERAL TOLERANCES (UNLESS SPECIFIED)	DIMENSION STYLE MM ONLY	SCALE ---	DESIGN UNITS METRIC	THIRD ANGLE PROJECTION
	10 UNDER ±0.2	DRAWN BY KAMINO	DATE 2014/05/13	TITLE 0.4 BB CONN. H=0.8 REC ASSY. FOR CHECKER EMBSTP. PKG	
	10 OVER 30 UNDER ±0.25	CHECKED BY TASAKAWA	DATE 2014/05/14		
	30 OVER ±0.3	APPROVED BY KMORIKAWA	DATE 2014/05/15		
ANGULAR ±1	MATERIAL NO.	SEE CHART	DOCUMENT NO. SD-504208-004	SHEET NO. 2 OF 3	
DRAFT WHERE APPLICABLE MUST REMAIN WITHIN DIMENSIONS	SIZE A3	THIS DRAWING CONTAINS INFORMATION THAT IS PROPRIETARY TO MOLEX INCORPORATED AND SHOULD NOT BE USED WITHOUT WRITTEN PERMISSION			



24	29.4	25.4	12.32	504208-5080	o	---	50	
			10.32	504208-4080	o	---	40	
			9.12	504208-3480	o	---	34	
			8.32	504208-3080	o	---	30	
キャリアテープ幅 CARRIER TAPE WIDTH		C	B	(A)	MATERIAL No.	量産品 MASS PRODUCTION	試作対応 LOW VOL. TOOL	極数 CIRCUIT
				MODEL No.	504208-**-80			

SEE SHEET 1 OF 3 EC NO: J2015-0167 DRWN: Y. SHIDA 2014/08/01 CHKD: R. TAKEUCHI 2014/08/01 APPR: K. MORIKAWA 2014/08/01	DESCRIPTION REV	GENERAL TOLERANCES (UNLESS SPECIFIED)		DIMENSION STYLE MM ONLY		SCALE ---	DESIGN UNITS METRIC	THIRD ANGLE PROJECTION	
		10 UNDER	±0.2	DRAWN BY KAMINO	DATE 2014/05/13	TITLE 0.4 BB CONN. H=0.8 REC ASSY. FOR CHECKER EMBSTP. PKG			
		10 OVER 30 UNDER	±0.25	CHECKED BY TASAKAWA	DATE 2014/05/14				
		30 OVER	±0.3	APPROVED BY KMORIKAWA	DATE 2014/05/15				
ANGULAR ±1 °		DRAFT WHERE APPLICABLE MUST REMAIN WITHIN DIMENSIONS		MATERIAL NO. SEE CHART		DOCUMENT NO. SD-504208-004		SHEET NO. 3 OF 3	



注記 NOTES

1. 使用材料 MATERIAL
 ハウジング: 液晶ポリマー (LCP)UL94V-0 (黒)
 HOUSING : LIQUID CRYSTAL POLYMER(LCP), UL94V-0,(COLOR: BLACK)
 ターミナル: 銅合金
 TERMINAL : COPPER ALLOY
 補強金具: 銅合金
 FITTING NAIL : COPPER ALLOY
 2. メッキ仕様 PLATING
 ターミナル TERMINAL
 金メッキ
 GOLD
 下地: ニッケルメッキ
 UNDER PLATING : NICKEL
 ※コンタクト部とテール部はニッケルメッキによって分断されている金メッキです。
 DIVIDE INTO PARTS THE GOLD PLATING OF THE CONTACT AND THE TAIL PART BY THE NICKEL PLATING.
 補強金具 FITTING NAIL
 金メッキ(テール部のみ)
 GOLD(ONLY TAIL PART)
 下地: ニッケルメッキ
 UNDER PLATING : NICKEL OVERALL
- △ (全極数 / 2) = 偶数の場合に適用。
 APPLY FOR (CIRCUIT/2)=EVEN.
4. 嵌合相手: 504248 シリーズ
 MATE WITH : 504248 SERIES.
 5. テール平坦度は、0.08 以下。
 テール及び金具の平坦度は、0.1 以下。
 TAIL COPLANARITY TO BE 0.08MAXIMUM.
 TAIL AND FITTING NAIL COPLANARITY TO BE 0.1MAXIMUM..
 6. ELV 及び RoHS 適合品
 ELV AND RoHS COMPLIANT.

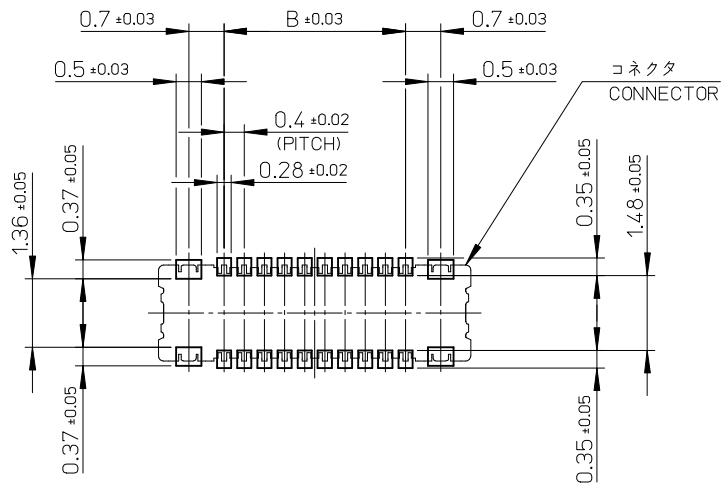
7.6	10.2	504208-4010	0	---	40
6.4	9.0	504208-3410	0	---	34
B	A	EMBOSSSED TAPE PACKAGE	量産品 MASS PRODUCTION	試作対応可 LOW VOL. TOOL	極数 CIRCUIT
		オーダー番号 ORDER NO.	サンプル供給 SAMPLE PREPARATION		

CONNECTOR SERIES No. : 504208-**-09

REVISED EC NO: J2015-1176 DRWNY:SHIDA 2015/03/16 CHKD:KTAKA03 2015/03/16 APPR:KMORIKAWA 2015/03/18	GENERAL TOLERANCES (UNLESS SPECIFIED)		DIMENSION STYLE MM ONLY		SCALE 10:1	DESIGN UNITS METRIC	THIRD ANGLE PROJECTION
	0.25 UNDER	±0.03	DRAWN BY	DATE	TITLE		
	0.25 OVER 0.5 UNDER	±0.05	KAMINO	2014/01/30	0.4 BB CONN. H=0.8 ST8 REC. ASSY.		
	0.5 OVER 1.0 UNDER	±0.1	CHECKED BY	DATE			
	1.0 OVER 10 UNDER	±0.2	TASAKAWA	2014/01/30			
10 OVER 30 UNDER	±0.25	APPROVED BY	DATE				
30 OVER	±0.3	KMORIKAWA	2014/01/30				
ANGULAR	±1 °	MATERIAL NO.		DOCUMENT NO.			
DRAFT WHERE APPLICABLE MUST REMAIN WITHIN DIMENSIONS		SIZE A3	THIS DRAWING CONTAINS INFORMATION THAT IS PROPRIETARY TO MOLEX INCORPORATED AND SHOULD NOT BE USED WITHOUT WRITTEN PERMISSION				

molex

SEE CHART SD-504208-005



推奨基板寸法 (参考)
P.W.BOARD PATTERN LAYOUT (REFERENCE)

SEE SHEET 1 OF 2 EC NO: J2015-1176 DRWN: Y. SHIDA 2015/03/16 CHK'D: K. TANAKA 2015/03/16 APPR: K. MORIKAWA 2015/03/18	GENERAL TOLERANCES (UNLESS SPECIFIED)		DIMENSION STYLE MM ONLY		SCALE 10:1	DESIGN UNITS METRIC	THIRD ANGLE PROJECTION	
	0.25 UNDER	± 0.03	DRAWN BY	DATE	TITLE 0.4 BB CONN. H=0.8 ST8 REC. ASSY.			
	0.25 OVER 0.5 UNDER	± 0.05	KAMINO	2014/01/30				
	0.5 OVER 1.0 UNDER	± 0.1	CHECKED BY	DATE	<div style="text-align: center; font-size: 24px; font-weight: bold;">molex</div>			
	1.0 OVER 10 UNDER	± 0.2	TASAKAWA	2014/01/30				
10 OVER 30 UNDER	± 0.25	APPROVED BY	DATE	MATERIAL NO.		DOCUMENT NO.	SHEET NO.	
30 OVER	± 0.3	KMORIKAWA	2014/01/30	SEE SHEET 1		SD-504208-005	2 OF 2	
ANGULAR ±1 °		DRAFT WHERE APPLICABLE MUST REMAIN WITHIN DIMENSIONS		THIS DRAWING CONTAINS INFORMATION THAT IS PROPRIETARY TO MOLEX INCORPORATED AND SHOULD NOT BE USED WITHOUT WRITTEN PERMISSION				