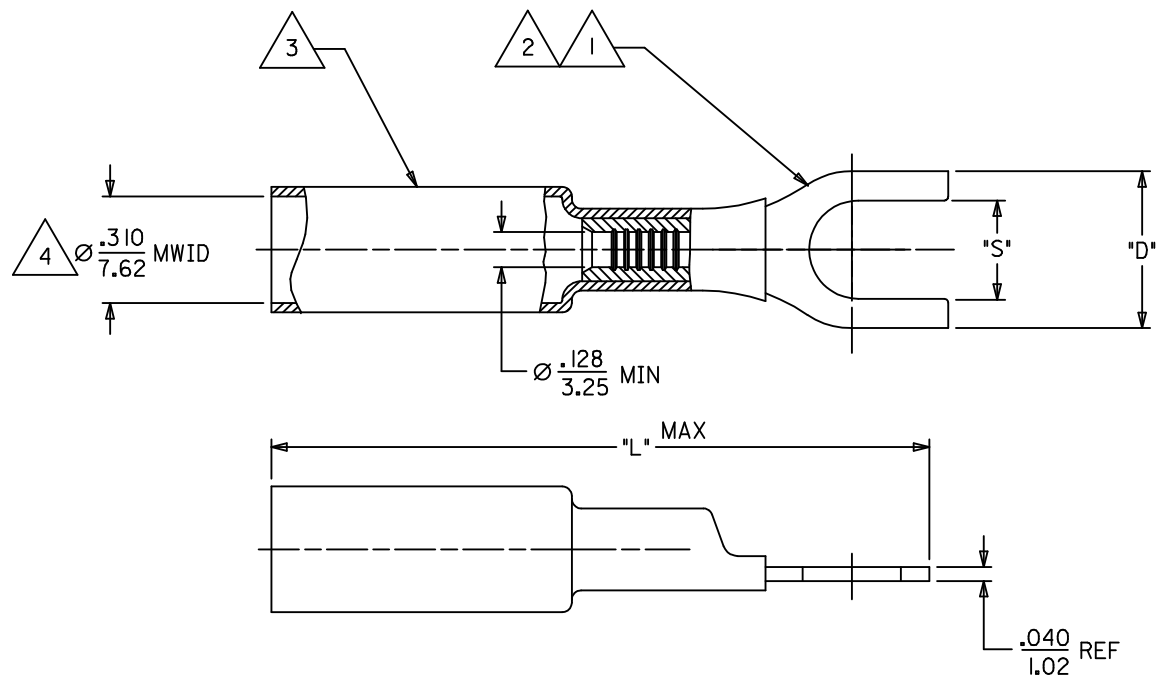


MATERIAL NUMBER	ENGINEERING NUMBER	STUD SIZE	SLOT "S" ±0.10 ±0.25	"D" MAX	"L" MAX
191640069	SC-241-06	#6	.146/3.71	.39/9.9	1.39/35.3
191640070	SC-241-08	#8	.173/4.39	.39/9.9	1.39/35.3
191640071	SC-241-10	#10	.198/5.03	.39/9.9	1.39/35.3



- NOTES:
1. TERMINAL MATERIAL: COPPER ALLOY
 2. FINISH: ELECTRO TIN PLATE.
 3. INSULATION MATERIAL: HEAT SHRINKABLE TUBING WITH HOTMELT ADHESIVE INNER LINER. COLOR: YELLOW
 4. MWID = MAXIMUM WIRE INSULATION DIAMETER.
 5. PARTS ARE ROHS COMPLIANT.

SALES DRAWING

ORIGINALLY DRAWN BY BRE 2002/08/20

UPDATE PART NUMBER EC NO: IPG2015-0066 DRAWN: GROJAS01 2015/03/03 CHKD: JMACNEIL 2015/03/03 APPR: JMACNEIL 2015/03/17	QUALITY SYMBOLS ▽=0 ▽=0	GENERAL TOLERANCES (UNLESS SPECIFIED)		DIMENSION STYLE IN/MM		SCALE ---	DESIGN UNITS INCH	THIRD ANGLE PROJECTION		
		4 PLACES	± ---	± ---	DRAWN BY	DATE	TITLE SPADE TONGUE TERMINAL PERMA-SEAL 12-10 AWG			
		3 PLACES	± ---	± ---	GROJAS01	2015/03/03				
		2 PLACES	± ---	± ---	CHECKED BY	DATE	MATERIAL NO. DOCUMENT NO. SHEET NO. SEE CHART SD-19164-048 1 OF 1			
1 PLACE	± ---	± ---	JMACNEIL	2015/03/03						
0 PLACE	±	±	APPROVED BY	DATE	THIS DRAWING CONTAINS INFORMATION THAT IS PROPRIETARY TO MOLEX INCORPORATED AND SHOULD NOT BE USED WITHOUT WRITTEN PERMISSION					
ANGULAR ± --- ° DRAFT WHERE APPLICABLE MUST REMAIN WITHIN DIMENSIONS		SIZE B								