

MATERIALS AND FINISHES

PART NUMBERS 73413-0040, -0042, -0044

PART NUMBERS 73413-0041 AND -0043

BODY BRASS
PLATED SEE TABLE

BODY BERYLLIUM COPPER
PLATED SEE TABLE

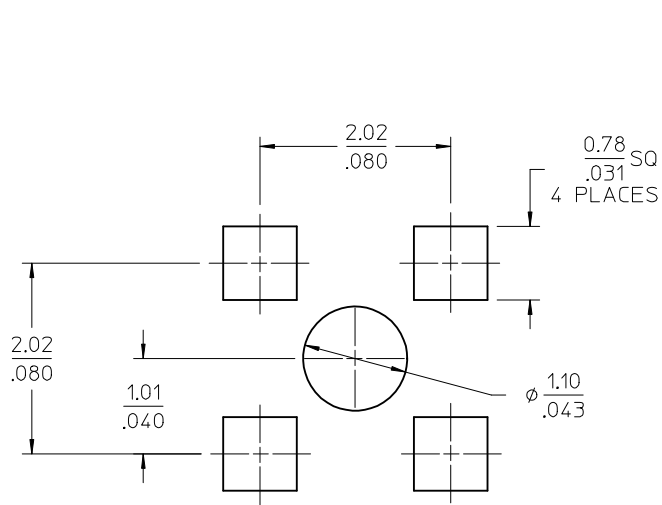
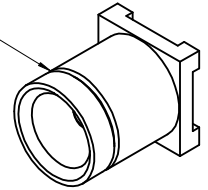
CENTER CONTACT BERYLLIUM COPPER
PLATED GOLD

CENTER CONTACT BERYLLIUM COPPER
PLATED GOLD

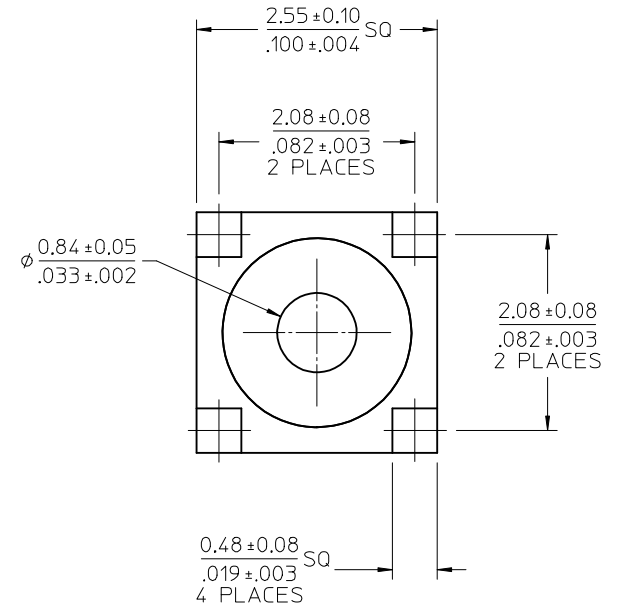
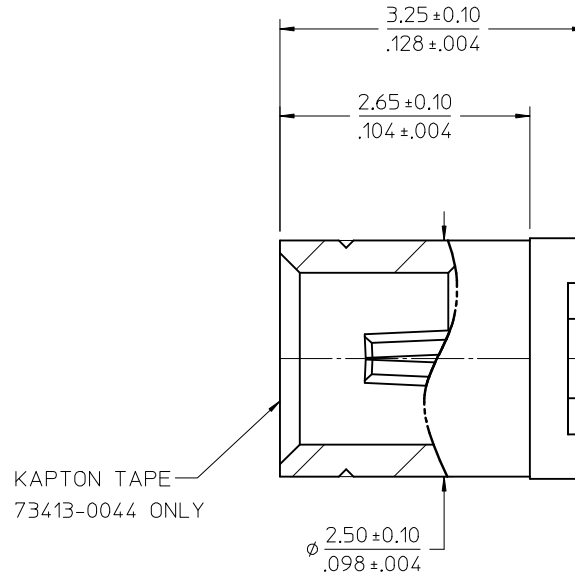
INSULATOR TEFLON

INSULATOR TEFLON

WITNESS MARK PRESENT
ON NON-MAGNETIC
VERSIONS ONLY



RECOMMENDED PCB LAYOUT



73413-0044	GENERAL	TAPE & REEL	GOLD
73413-0043	NON-MAGNETIC	TRAY	GOLD
73413-0042	GENERAL	SINGLE BAG	GOLD
73413-0041	NON-MAGNETIC	TRAY	TRI-M
73413-0040	GENERAL	TRAY	GOLD
PART NO.	MAG PROP	PACKAGING	BODY PLATING

FOR 73413-0044 ONLY
 REEL SIZE: 330mm (13")
 TAPE WIDTH: 12mm (.47")
 PARTS PER REEL: 2300

PS-89675-0320	PRODUCT SPECIFICATION
SPECIFICATION	DESCRIPTION

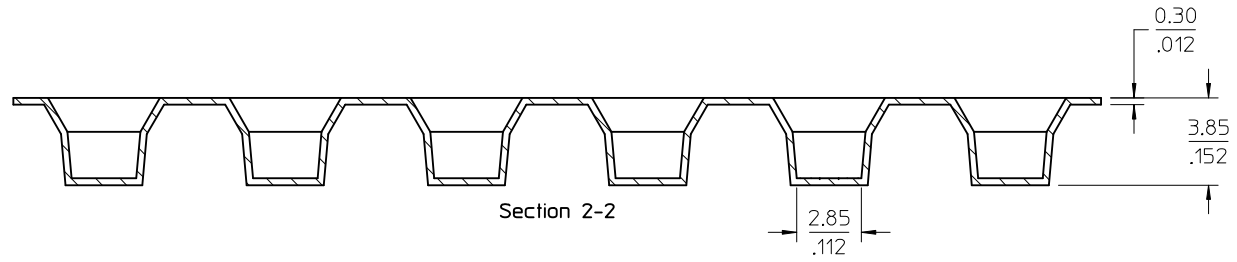
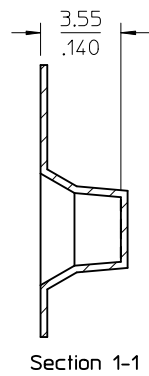
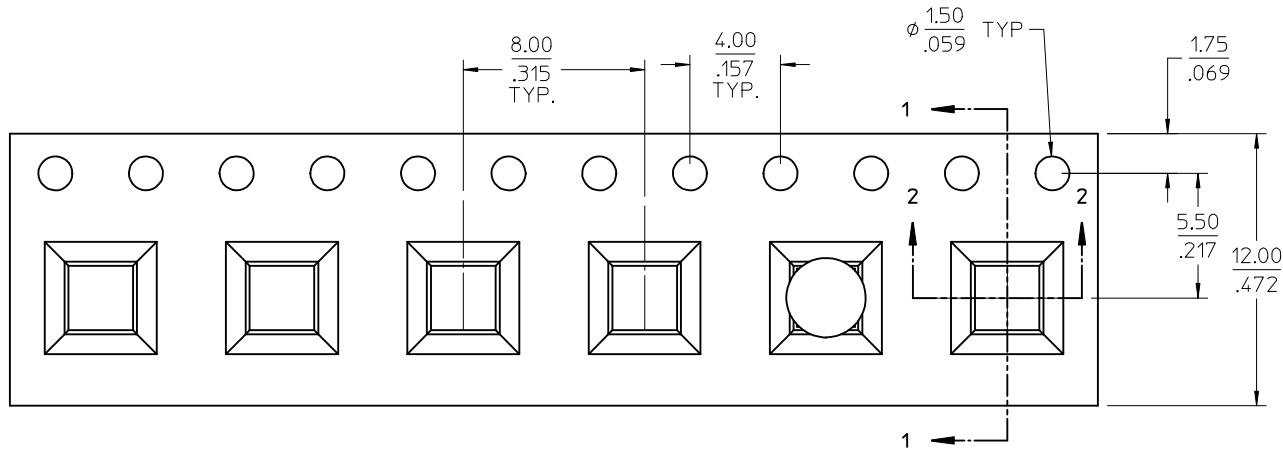
CHG: P/N 73413-0040
 73413-0041-0043
 PACKING UPDATE
 TRAY WAS BULK
 EWR RF15-E190
 EC NO: URF2015-0603
 DRWN: YCHENG 2015/04/29
 CHKD:
 APPR: YCHENG 2015/04/29

REV	DESCRIPTION	QUALITY SYMBOLS
A8		= 0 = 0

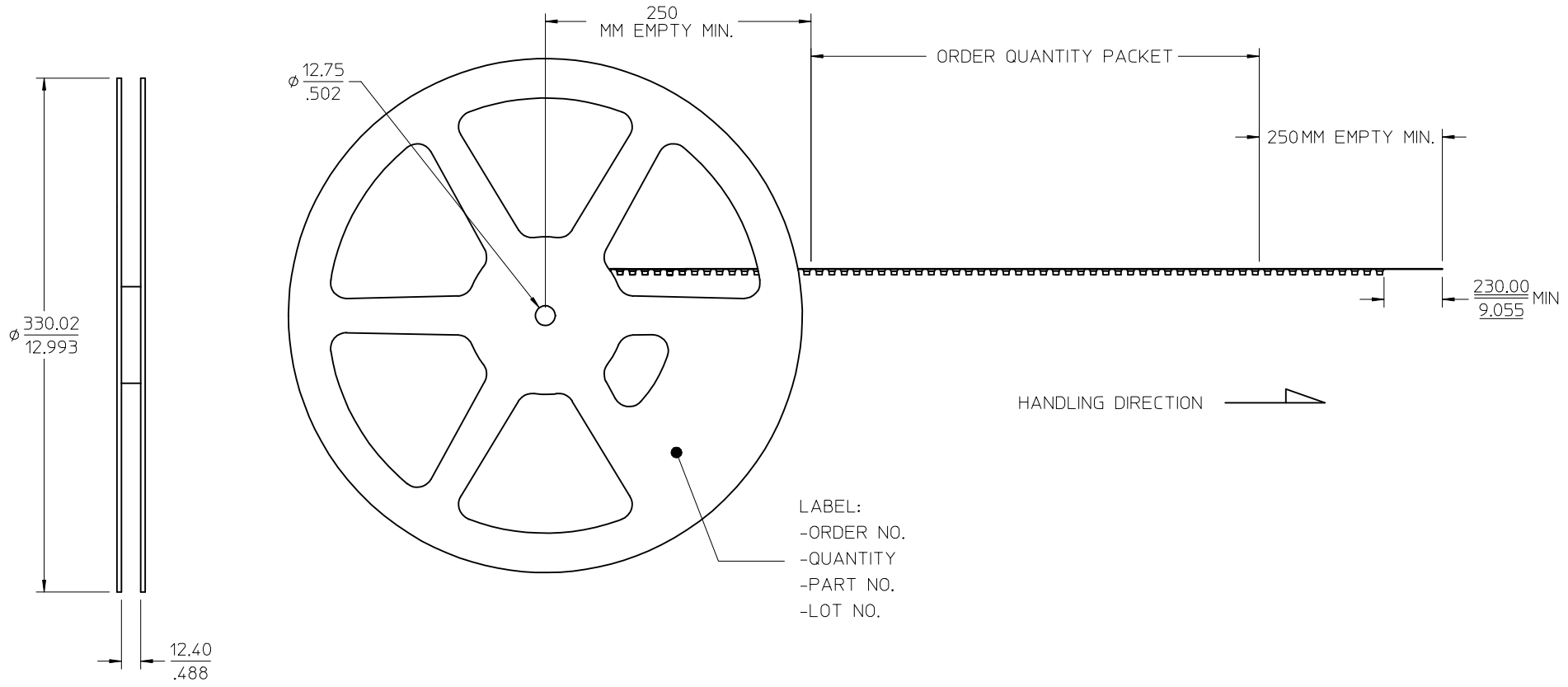
GENERAL TOLERANCES (UNLESS SPECIFIED)	
mm	INCH
4 PLACES ± .010	± .0004
3 PLACES ± .010	± .0004
2 PLACES ± .010	± .0004
1 PLACE ± .010	± .0004
ANGULAR ± 2 °	
DRAFT WHERE APPLICABLE MUST REMAIN WITHIN DIMENSIONS	

DIMENSION STYLE	
MM/IN	
DRAWN BY	DATE
JOHN	2005/03/24
CHECKED BY	DATE
KERRIE	2005/03/24
APPROVED BY	DATE
JWIENER	2010/10/21
MATERIAL NO.	
SEE TABLE	
SIZE	C

SCALE	DESIGN UNITS	THIRD ANGLE PROJECTION
	METRIC	
TITLE		
SSMCX JACK PCB VERTICAL 50 OHM SSMCX-J/PCB EWR-3200		
MOLEX INCORPORATED		
MATERIAL NO.	DOCUMENT NO.	SHEET NO.
SEE TABLE	SD-73413-004	1 OF 3
THIS DRAWING CONTAINS INFORMATION THAT IS PROPRIETARY TO MOLEX INCORPORATED AND SHOULD NOT BE USED WITHOUT WRITTEN PERMISSION		



CHG:SEE SHEET 1 EC NO: URF2015-0603 DRWN:YCHENG 2015/04/29 CHKD: APPR:YCHENG 2015/04/29	QUALITY SYMBOLS	GENERAL TOLERANCES (UNLESS SPECIFIED)		DIMENSION STYLE	SCALE	DESIGN UNITS	THIRD ANGLE PROJECTION	
	▽=0	mm	INCH	MM/IN		METRIC		
	▽=0	4 PLACES ±	±	DRAWN BY	DATE	TITLE		
	▽=0	3 PLACES ±	±	JOHN	2005/03/24	SSMCX JACK PCB VERTICAL 50 OHM SSMCX-J/PCB EWR-3200		
		2 PLACES ±	±	CHECKED BY	DATE	molex DOCUMENT NO. SD-73413-004 SHEET NO. 2 OF 3		
		1 PLACE ±	±	KERRIE	2005/03/24			
		0 PLACE ±	±	APPROVED BY	DATE			
				JWIENER	2010/10/21			
		ANGULAR ± 2°		MATERIAL NO.				
		DRAFT WHERE APPLICABLE MUST REMAIN WITHIN DIMENSIONS		SEE SHEET 1				
		THIS DRAWING CONTAINS INFORMATION THAT IS PROPRIETARY TO MOLEX INCORPORATED AND SHOULD NOT BE USED WITHOUT WRITTEN PERMISSION						



LABEL:
 -ORDER NO.
 -QUANTITY
 -PART NO.
 -LOT NO.

CHG:SEE SHEET 1 EC NO: URF2015-0603 DRWN:YCHENG 2015/04/29 CHKD: APPR:YCHENG 2015/04/29	QUALITY SYMBOLS	GENERAL TOLERANCES (UNLESS SPECIFIED)		DIMENSION STYLE	SCALE	DESIGN UNITS	THIRD ANGLE PROJECTION
	▽=0	mm	INCH	MM/IN	1:2	METRIC	
	▽=0	4 PLACES ±	±	DRAWN BY	DATE	TITLE	
	▽=0	3 PLACES ±	±	JOHN	2005/03/24	SSMCX JACK PCB VERTICAL 50 OHM SSMCX-J/PCB EWR-3200	
		2 PLACES ±	±	CHECKED BY	DATE	molex DOCUMENT NO. SD-73413-004 SHEET NO. 3 OF 3	
		1 PLACE ±	±	KERRIE	2005/03/24		
		0 PLACE ±	±	APPROVED BY	DATE		
				JWIENER	2010/10/21		
				ANGULAR ± 2°			
				DRAFT WHERE APPLICABLE MUST REMAIN WITHIN DIMENSIONS			
				MATERIAL NO.			
				SEE SHEET 1			
				THIS DRAWING CONTAINS INFORMATION THAT IS PROPRIETARY TO MOLEX INCORPORATED AND SHOULD NOT BE USED WITHOUT WRITTEN PERMISSION			