

**PLEASE CHECK WWW.MOLEX.COM FOR LATEST PART INFORMATION**

**Part Number:** [1200850013](#)  
**Status:** **Active**  
**Overview:** Brad Ultra-Lock Connection System  
**Description:** Ultra-Lock (M12) Single Keyway with PG9 Cable Fitting, Female, 4 Pole, Straight, Cable Diameter 4.10-8.10mm

**Documents:**

[Drawing \(PDF\)](#) [RoHS Certificate of Compliance \(PDF\)](#)

**General**

Product Family	Field Attachable / Accessories
Series	<a href="#">120085</a>
Approvals	N/A
IP Rating	IP69K
Material - Contact	Brass
Overview	<a href="#">Brad Ultra-Lock Connection System</a>
Product Name	Ultra-Lock (M12)
Type	Field Attachable Connector
UPC	78678897651

**Physical**

Cable Diameter	4.10 - 8.10mm (.161-.319")
Coupling Type	Push to Lock
Diagnostics / LEDs	No
Diagnostics Port	No
Gender	Female
Keyway	Single
Material - Connector Body	PA
Material - Coupling Nut	Nickel-plated Brass
Material - Plating Mating	Gold
Net Weight	20.520/g
Orientation	Straight
Poles	4
Temperature Range - Operating	-25°C to +90°C
Wire Size AWG	18

**Electrical**

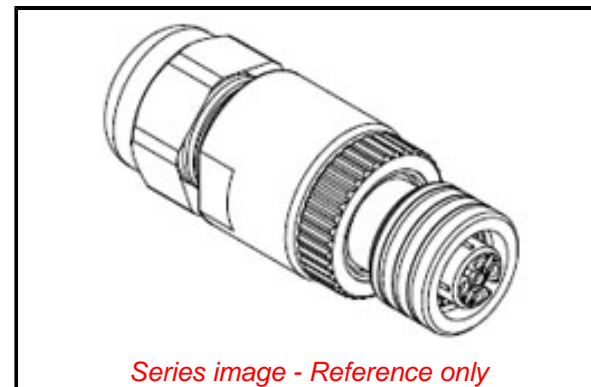
Current - Maximum per Contact	4.0A
Voltage - Maximum	250V AC / 300V DC

**Material Info**

Engineering Number	WA4000-32
--------------------	-----------

**Reference - Drawing Numbers**

Sales Drawing	SD-120085-005
---------------	---------------



*Series image - Reference only*

**EU ELV**

**Not Relevant**

**EU RoHS**

**Compliant with Exemption 6(c)**

**REACH SVHC**

Not Reviewed

**Halogen-Free**

**Status**

**Not Low-Halogen**

For more information, please visit [Contact US](#)

China ROHS

50 Image

ELV

Not Relevant

RoHS Phthalates

Not Contained

**Search Parts in this Series**

[120085 Series](#)