

**PLEASE CHECK WWW.MOLEX.COM FOR LATEST PART INFORMATION**

**Part Number:** [5041931300](#)  
**Status:** **Active**  
**Overview:** Micro-Lock™ Connectors  
**Description:** Micro-Lock 1.25mm Pitch Single-Row Crimp Housing, White, 13 Circuits, 5041931300

**Documents:**

|   |   |
|---|---|
| <a href="#">3D Model</a>  | <a href="#">Application Specification AS-504193-002-001 (PDF)</a> |
| <a href="#">Drawing (PDF)</a>                                     | <a href="#">Packaging Specification SPK-504193-001-001 (PDF)</a>  |
| <a href="#">Product Specification PS-504193-001-001 (PDF)</a>     | <a href="#">RoHS Certificate of Compliance (PDF)</a>              |
| <a href="#">Application Specification AS-504193-001-001 (PDF)</a> |   |

**General**

|                |                               |
|----------------|-------------------------------|
| Product Family | Crimp Housings                |
| Series         | <a href="#">504193</a>        |
| Application    | Wire-to-Board                 |
| Overview       | <u>Micro-Lock™ Connectors</u> |
| Product Name   | Micro-Lock                    |
| UPC            | 887191165318                  |

**Physical**

|                               |               |
|-------------------------------|---------------|
| Circuits (maximum)            | 13            |
| Color - Resin                 | White         |
| Gender                        | Receptacle    |
| Glow-Wire Capable             | No            |
| Lock to Mating Part           | Yes           |
| Material - Resin              | Polyester     |
| Net Weight                    | 219.572/mg    |
| Number of Rows                | 1             |
| Packaging Type                | Tray          |
| Panel Mount                   | No            |
| Pitch - Mating Interface      | 1.25mm        |
| Pitch - Termination Interface | 1.25mm        |
| Polarized to Mating Part      | Yes           |
| Temperature Range - Operating | -25° to +85°C |

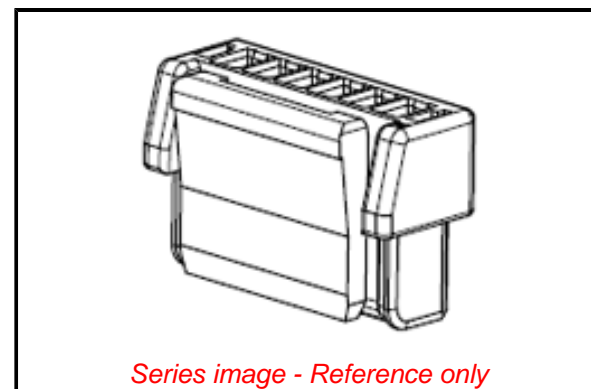
**Electrical**

|                               |      |
|-------------------------------|------|
| Current - Maximum per Contact | 1.5A |
|-------------------------------|------|

**Material Info**

**Reference - Drawing Numbers**

|                           |                                      |
|---------------------------|--------------------------------------|
| Application Specification | AS-504193-001-001, AS-504193-002-001 |
| Packaging Specification   | SPK-504193-001-001                   |
| Product Specification     | PS-504193-001-001                    |
| Sales Drawing             | SD-504193-001                        |



*Series image - Reference only*

**EU ELV**

**Not Relevant**

**EU RoHS**

**Compliant**

**REACH SVHC**

Not Contained Per -  
ED/71/2019 (16 July  
2019)

**Halogen-Free**

**Status**

**Not Low-Halogen**

For more information, please visit [Contact US](#)

China ROHS

ELV

RoHS Phthalates

**China RoHS**

Green Image

Not Relevant

Not Contained

**Search Parts in this Series**

[504193 Series](#)

**Mates With**

[504194](#) Micro-Lock 1.25mm Pitch Vertical Header, [504195](#) Micro-Lock 1.25mm Pitch Right Angle Header

**Use With**

Micro-Lock Wire-to-Board Crimp Terminal [5041851000](#)