

**PLEASE CHECK WWW.MOLEX.COM FOR LATEST PART INFORMATION**

**Part Number:** **5601250800**  
**Status:** **Active**  
**Overview:** DuraClik Connector System  
**Description:** DuraClik ISL Wire-to-Board Terminal Position Assurance (TPA) Retainer, 8 Circuits, Gray

**Documents:**

<a href="#">3D Model</a>	<a href="#">Application Specification AS-560123-001-001 (PDF)</a>
<a href="#">3D Model (PDF)</a>	<a href="#">Packaging Specification PK-560125-001-001 (PDF)</a>
<a href="#">Drawing (PDF)</a>	<a href="#">Datasheet (PDF)</a>
<a href="#">Product Specification PS-560123-001-001 (PDF)</a>	<a href="#">RoHS Certificate of Compliance (PDF)</a>
<a href="#">Product Specification PS-560123-003-001 (PDF)</a>	

**General**

Product Family	Accessories
Series	<u>560125</u>
Application	Automotive
Component Type	Terminal Position Assurance
Overview	<u>DuraClik Connector System</u>
Product Name	DuraClik
UPC	889056009584

**Physical**

Circuits (Loaded)	8
Circuits (maximum)	8
Color - Resin	Gray
Lock to Mating Part	Yes
Material - Resin	PBT
Net Weight	0.084/g
Number of Rows	1
Packaging Type	Bag
Polarized to Mating Part	Yes
Temperature Range - Operating	-40° to +130°C

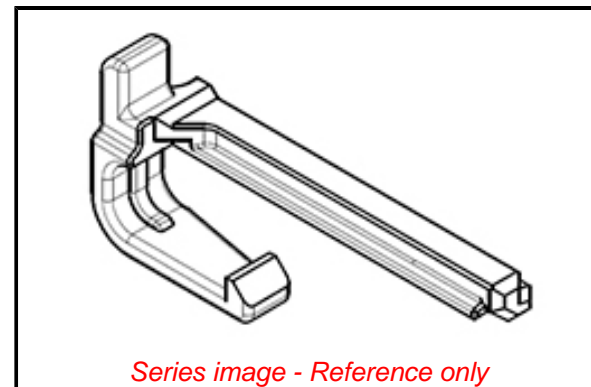
**Solder Process Data**

Lead-free Process Capability	N/A
------------------------------	-----

**Material Info**

**Reference - Drawing Numbers**

Application Specification	AS-560123-001-001
Packaging Specification	PK-560125-001-001
Product Specification	PS-560123-001-001, PS-560123-003-001
Sales Drawing	SD-560125-005



**EU ELV**

**Compliant**

**EU RoHS**

**Compliant**

**REACH SVHC**

Not Contained Per -  
D(2020)4578-DC (25  
June 2020)

**Halogen-Free**

**Status**

**Not Low-Halogen**

For more information, please visit [Contact US](#)

China ROHS

ELV

RoHS Phthalates

**China RoHS**

Green Image

Compliant

Not Contained

**Search Parts in this Series**

560125 Series

**Use With**

DuraClik ISL Terminal Housing [5601230800](#)  
, [5601230801](#) , [5601230802](#) , [5601230804](#)