

**PLEASE CHECK WWW.MOLEX.COM FOR LATEST PART INFORMATION**

**Part Number:** [1200850014](#)  
**Status:** **Active**  
**Overview:** Brad Ultra-Lock Connection System  
**Description:** Ultra-Lock (M12) Single Keyway with PG9 Cable Fitting, Female, 5 Pole, Straight, Cable Diameter 4.10-8.10mm

**Documents:**

[Drawing \(PDF\)](#) [RoHS Certificate of Compliance \(PDF\)](#)

**Agency Certification**

CSA LR6837

**General**

Product Family Field Attachable / Accessories  
 Series [120085](#)  
 Approvals N/A  
 IP Rating IP69K  
 Material - Contact Brass  
 Overview [Brad Ultra-Lock Connection System](#)  
 Product Name Ultra-Lock (M12)  
 Type Field Attachable Connector  
 UPC 78678897652

**Physical**

Cable Diameter 4.10 - 8.10mm (.161-.319")  
 Coupling Type Push to Lock  
 Diagnostics / LEDs No  
 Diagnostics Port No  
 Gender Female  
 Keyway Single  
 Material - Connector Body PA  
 Material - Coupling Nut Nickel-plated Brass  
 Material - Plating Mating Gold  
 Net Weight 1.000/g  
 Orientation Straight  
 Poles 5  
 Temperature Range - Operating -25°C to +90°C  
 Wire Size AWG 18

**Electrical**

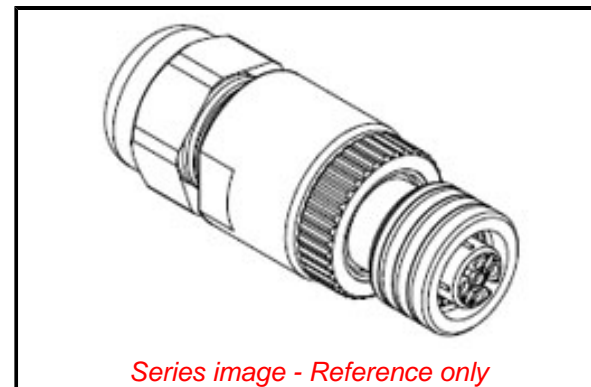
Current - Maximum per Contact 4.0A  
 Voltage - Maximum 30V AC / 36V DC

**Material Info**

Engineering Number WA5000-32

**Reference - Drawing Numbers**

Sales Drawing SD-120085-005



*Series image - Reference only*

**EU ELV**

**Not Relevant**

**EU RoHS**

**Compliant with Exemption 6(c)**

**REACH SVHC**

Not Reviewed

**Halogen-Free**

**Status**

**Not Low-Halogen**

For more information, please visit [Contact US](#)

China ROHS

50 Image

ELV

Not Relevant

RoHS Phthalates

Not Contained

**Search Parts in this Series**

[120085 Series](#)