

PLEASE CHECK WWW.MOLEX.COM FOR LATEST PART INFORMATION

Part Number: **5601251000**
Status: **Active**
Overview: DuraClik Connector System
Description: DuraClik ISL Wire-to-Board Terminal Position Assurance (TPA) Retainer, 10 Circuits, Gray

Documents:

3D Model	Application Specification AS-560123-001-001 (PDF)
Drawing (PDF)	Packaging Specification PK-560125-001-001 (PDF)
3D Model (PDF)	Datasheet (PDF)
Product Specification PS-560123-001-001 (PDF)	RoHS Certificate of Compliance (PDF)
Product Specification PS-560123-003-001 (PDF)	

General

Product Family	Accessories
Series	<u>560125</u>
Application	Automotive
Component Type	Terminal Position Assurance
Overview	<u>DuraClik Connector System</u>
Product Name	DuraClik
UPC	889056359900

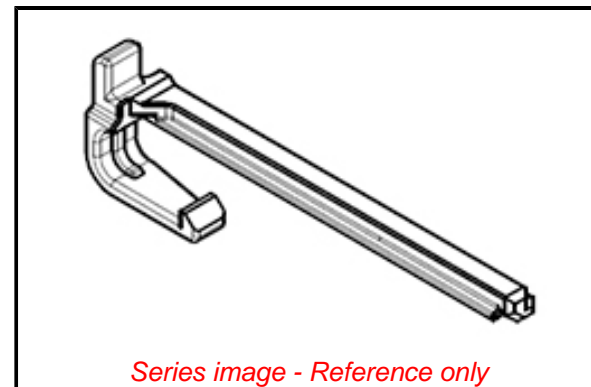
Physical

Circuits (Loaded)	10
Circuits (maximum)	10
Color - Resin	Gray
Lock to Mating Part	Yes
Material - Resin	PBT
Net Weight	0.100/g
Number of Rows	1
Packaging Type	Bag
Polarized to Mating Part	Yes
Temperature Range - Operating	-40° to +130°C

Material Info

Reference - Drawing Numbers

Application Specification	AS-560123-001-001
Packaging Specification	PK-560125-001-001
Product Specification	PS-560123-001-001, PS-560123-003-001
Sales Drawing	SD-560125-006



Series image - Reference only

EU ELV

Compliant

EU RoHS

Compliant

REACH SVHC

Not Contained Per -
D(2020)4578-DC (25
June 2020)

Halogen-Free

Status

Not Low-Halogen

For more information, please visit [Contact US](#)

China ROHS

ELV

RoHS Phthalates

China RoHS

Green Image

Compliant

Not Contained

Search Parts in this Series

[560125 Series](#)

Use With

DuraClik ISL Terminal Housing [5601231000](#)