

PLEASE CHECK WWW.MOLEX.COM FOR LATEST PART INFORMATION

Part Number: [1053122116](#)
Status: **Active**
Overview: [Nano-Fit Power Connectors](#)
Description: Nano-Fit Vertical Header, Through Hole, 2.50mm Pitch, Dual Row, 16 Circuits, with Solder Clips, Tin (Sn) Plating, Natural, Glow-Wire Capable

Documents:

3D Model	Product Specification PS-105300-100-001 (PDF)
Drawing (PDF)	Application Specification AS-105300-100-001 (PDF)
3D Model (PDF)	Packaging Specification PK-105309-100-000 (PDF)
Product Specification 1053001000-PS-CH-000 (PDF)	Test Summary 1053001000-TS-000 (PDF)
Product Specification 1053001000-PS-ES-000 (PDF)	Symbol Footprint Data SYM-105312-XX16 (PDF)
Product Specification 1053001000-PS-JP-000 (PDF)	RoHS Certificate of Compliance (PDF)
Product Specification 1053001000-PS-SK-000 (PDF)	Product Literature (PDF)

Agency Certification

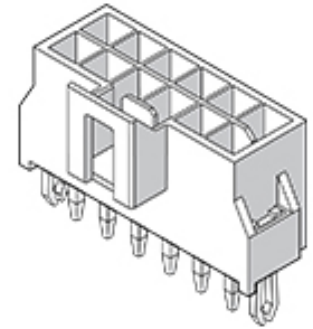
CSA	LR19980
UL	E29179

General

Product Family	PCB Headers
Series	105312
Application	Power, Wire-to-Board
Overview	Nano-Fit Power Connectors
Product Name	Nano-Fit
UPC	887191931241

Physical

Breakaway	No
Circuits (Loaded)	16
Circuits (maximum)	16
Color - Resin	Natural
Durability (mating cycles max)	25
Flammability	94V-0
Glow-Wire Capable	Yes
Guide to Mating Part	No
Keying to Mating Part	Yes
Lock to Mating Part	Yes
Material - Metal	Brass
Material - Plating Mating	Tin
Material - Plating Termination	Tin
Material - Resin	Liquid Crystal Polymer
Net Weight	1.818/g
Number of Rows	2
Orientation	Vertical
PC Tail Length	3.20mm
PCB Locator	Yes
PCB Retention	Yes
PCB Thickness - Recommended	1.60mm, 2.40mm
Packaging Type	Tray
Pitch - Mating Interface	2.50mm
Pitch - Termination Interface	2.50mm
Plating min - Mating	1.524µm
Plating min - Termination	1.524µm
Polarized to Mating Part	Yes
Polarized to PCB	Yes
Shrouded	Yes



Series image - Reference only

EU ELV

Not Relevant

EU RoHS

Compliant

REACH SVHC

Not Contained Per -
D(2020)4578-DC (25
June 2020)

Halogen-Free

Status

Low-Halogen

For more information, please visit [Contact US](#)

China ROHS

ELV

RoHS Phthalates

China RoHS

Green Image

Not Relevant

Not Contained

Search Parts in this Series

[105312 Series](#)

Mates With

Nano-Fit Receptacle Housing [1053082216](#)

Stackable	No
Surface Mount Compatible (SMC)	No
Temperature Range - Operating	-40° to +105°C
Termination Interface: Style	Through Hole
Electrical	
Current - Maximum per Contact	8.0A
Voltage - Maximum	250V AC (RMS)
Material Info	
Reference - Drawing Numbers	
Application Specification	AS-105300-100-001
Packaging Specification	PK-105309-100-000
Product Specification	1053001000-PS-CH-000, 1053001000-PS-ES-000, 1053001000-PS-JP-000, 1053001000-PS-SK-000, PS-105300-100-001
Sales Drawing	SD-105312-100-000
Symbol/Footprint Data	SYM-105312-XX16
Test Summary	1053001000-TS-000

This document was generated on 07/17/2020

PLEASE CHECK WWW.MOLEX.COM FOR LATEST PART INFORMATION