

**PLEASE CHECK WWW.MOLEX.COM FOR LATEST PART INFORMATION**

**Part Number:** [1053122114](#)  
**Status:** **Active**  
**Overview:** Nano-Fit Power Connectors  
**Description:** Nano-Fit Vertical Header, Through Hole, 2.50mm Pitch, Dual Row, 14 Circuits, with Solder Clips, Tin (Sn) Plating, Natural, Glow-Wire Capable

**Documents:**

<a href="#">3D Model</a>	<a href="#">Product Specification PS-105300-100-001 (PDF)</a>
<a href="#">Drawing (PDF)</a>	<a href="#">Application Specification AS-105300-100-001 (PDF)</a>
<a href="#">3D Model (PDF)</a>	<a href="#">Packaging Specification PK-105309-100-000 (PDF)</a>
<a href="#">Product Specification 1053001000-PS-CH-000 (PDF)</a>	<a href="#">Test Summary 1053001000-TS-000 (PDF)</a>
<a href="#">Product Specification 1053001000-PS-ES-000 (PDF)</a>	<a href="#">Symbol Footprint Data SYM-105312-XX14 (PDF)</a>
<a href="#">Product Specification 1053001000-PS-JP-000 (PDF)</a>	<a href="#">RoHS Certificate of Compliance (PDF)</a>
<a href="#">Product Specification 1053001000-PS-SK-000 (PDF)</a>	<a href="#">Product Literature (PDF)</a>

**Agency Certification**

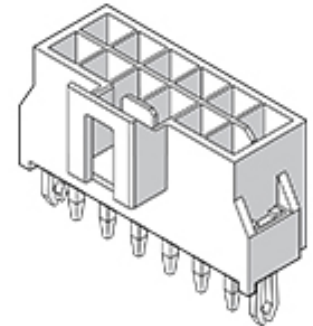
CSA	LR19980
UL	E29179

**General**

Product Family	PCB Headers
Series	<a href="#">105312</a>
Application	Power, Wire-to-Board
Overview	<a href="#">Nano-Fit Power Connectors</a>
Product Name	Nano-Fit
UPC	887191931234

**Physical**

Breakaway	No
Circuits (Loaded)	14
Circuits (maximum)	14
Color - Resin	Natural
Durability (mating cycles max)	25
Flammability	94V-0
Glow-Wire Capable	Yes
Guide to Mating Part	No
Keying to Mating Part	Yes
Lock to Mating Part	Yes
Material - Metal	Brass
Material - Plating Mating	Tin
Material - Plating Termination	Tin
Material - Resin	Liquid Crystal Polymer
Net Weight	1.662/g
Number of Rows	2
Orientation	Vertical
PC Tail Length	3.20mm
PCB Locator	Yes
PCB Retention	Yes
PCB Thickness - Recommended	1.60mm, 2.40mm
Packaging Type	Tray
Pitch - Mating Interface	2.50mm
Pitch - Termination Interface	2.50mm
Plating min - Mating	1.524µm
Plating min - Termination	1.524µm
Polarized to Mating Part	Yes
Polarized to PCB	Yes
Shrouded	Yes



*Series image - Reference only*

**EU ELV**

**Not Relevant**

**EU RoHS**

**Compliant**

**REACH SVHC**

Not Contained Per -  
D(2020)4578-DC (25  
June 2020)

**Halogen-Free**

**Status**

**Low-Halogen**

For more information, please visit [Contact US](#)

China ROHS

ELV

RoHS Phthalates

**China RoHS**

Green Image

Not Relevant

Not Contained

**Search Parts in this Series**

[105312 Series](#)

**Mates With**

Nano-Fit Receptacle Housing [1053082214](#)

Stackable	No
Surface Mount Compatible (SMC)	No
Temperature Range - Operating	-40° to +105°C
Termination Interface: Style	Through Hole
<b>Electrical</b>	
Current - Maximum per Contact	8.0A
Voltage - Maximum	250V AC (RMS)
<b>Material Info</b>	
<b>Reference - Drawing Numbers</b>	
Application Specification	AS-105300-100-001
Packaging Specification	PK-105309-100-000
Product Specification	1053001000-PS-CH-000, 1053001000-PS-ES-000, 1053001000-PS-JP-000, 1053001000-PS-SK-000, PS-105300-100-001
Sales Drawing	SD-105312-100-000
Symbol/Footprint Data	SYM-105312-XX14
Test Summary	1053001000-TS-000

This document was generated on 07/17/2020

**PLEASE CHECK [WWW.MOLEX.COM](http://WWW.MOLEX.COM) FOR LATEST PART INFORMATION**