

PLEASE CHECK WWW.MOLEX.COM FOR LATEST PART INFORMATION

Part Number: [1703351217](#)
Status: **Active**
Overview: Impact Backplane Connector and Cable Assembly System
Description: Impact 85 Ohm Plus 4 Pair Vertical Header, Unguided, Left End Wall, 12 Columns, 144 Circuits, Pin Length 4.90mm, Plated Through Hole Dimension 0.39mm, Lead-Free

Documents:

Drawing (PDF)	Packaging Specification PK-70873-7701-001 (PDF)
Product Specification PS-170540-999-001 (PDF)	Symbol Footprint Data SYM-170335-1217 (PDF)
Application Specification AS-76060-990-001 (PDF)	RoHS Certificate of Compliance (PDF)

General

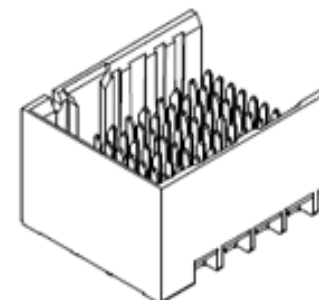
Product Family	Backplane Connectors
Series	170335
Application	Conventional, Mezzanine
Application Tooling Documents	TM-622018799
Component Type	PCB Header
Overview	<u>Impact Backplane Connector and Cable Assembly System</u>
Product Name	Impact
UPC	887191225784

Physical

Circuits (Loaded)	144
Circuits (maximum)	144
Color - Resin	Gray
Durability (mating cycles max)	200
First Mate / Last Break	No
Guide to Mating Part	No
Keying to Mating Part	None
Material - Metal	High Performance Alloy (HPA)
Material - Plating Mating	Gold
Material - Plating Termination	Tin
Material - Resin	High Temperature Thermoplastic
Net Weight	4.447/g
Number of Columns	12
Number of Pairs	4
Number of Rows	12
Orientation	Vertical
PC Tail Length	1.40mm
PCB Locator	No
PCB Retention	None
PCB Thickness - Recommended	1.00mm
Packaging Type	Tray
Pitch - Mating Interface	1.35mm, 1.90mm
Pitch - Termination Interface	1.35mm, 1.90mm
Plating min - Mating	0.762µm
Polarized to PCB	No
Stackable	No
Surface Mount Compatible (SMC)	No
Temperature Range - Operating	-55° to +85°C
Termination Interface: Style	Through Hole - Compliant Pin

Electrical

Current - Maximum per Contact	0.75A
Data Rate	25.0 Gbps
Impedance	85Ω



Series image - Reference only

EU ELV

Not Relevant

EU RoHS

Compliant

REACH SVHC

Not Contained Per -
D(2020)4578-DC (25
June 2020)

Halogen-Free

Status

Low-Halogen

For more information, please visit [Contact US](#)

China ROHS

ELV

RoHS Phthalates

China RoHS

Green Image

Not Relevant

Not Contained

Search Parts in this Series

[170335](#) Series

Mates With

[170340](#) Impact 85 Ohm Plus Right Angle Receptacle, [170390](#) Impact 85 Ohm Plus Vertical Mezzanine Receptacle

Application Tooling | FAQ

Tooling specifications and manuals are found by selecting the products below. Crimp Height Specifications are then contained in the Application Tooling Specification document.

Global

Description	Product #
-------------	-----------

Impact Insertion Tool	621005850
-----------------------	---------------------------

Backplane Header	621009610
------------------	---------------------------

Removal Tool for GbX U-Series, GbX I-Trac, Impact, or Z-PACK TinMan

Impact Backplane	622018833
------------------	---------------------------

Module Installation

Press-In Tool

Shield Type	N/A
Shielded	No
Voltage - Maximum	30V AC (RMS)/DC

Solder Process Data

Lead-free Process Capability	N/A
------------------------------	-----

Material Info**Reference - Drawing Numbers**

Application Specification	AS-76060-990-001
Packaging Specification	PK-70873-7701-001
Product Specification	PS-170540-999-001
Sales Drawing	SD-170335-0001
Symbol/Footprint Data	SYM-170335-1217

This document was generated on 07/27/2020

PLEASE CHECK WWW.MOLEX.COM FOR LATEST PART INFORMATION