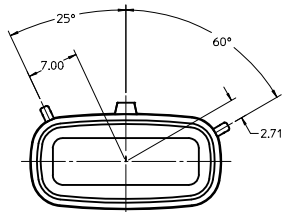
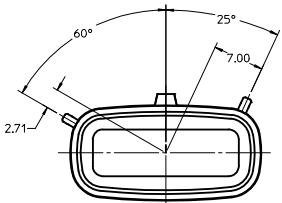


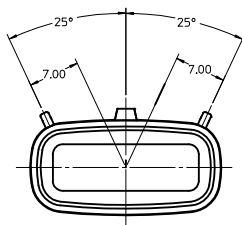
KEYING OPTION "A"
SUGGESTED COLOR: BLACK



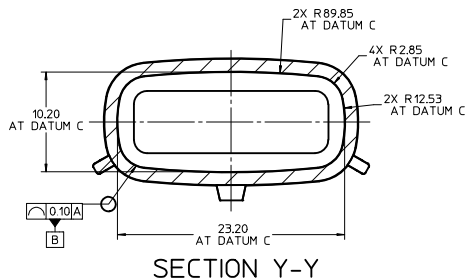
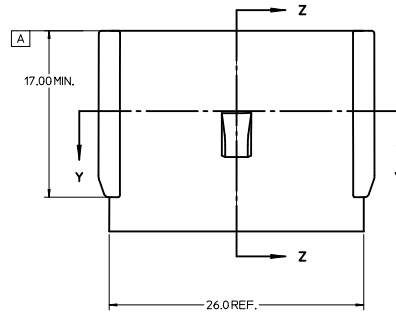
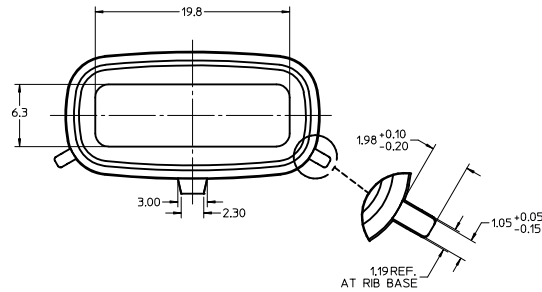
KEYING OPTION "B"
SUGGESTED COLOR: GREY



KEYING OPTION "C"
SUGGESTED COLOR: BROWN



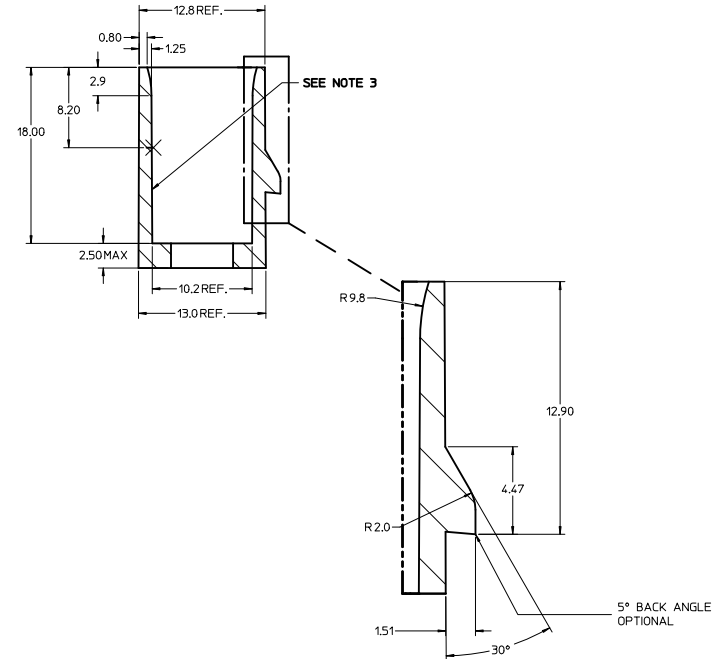
KEYING OPTION "D"
SUGGESTED COLOR: GREEN



SECTION Y-Y

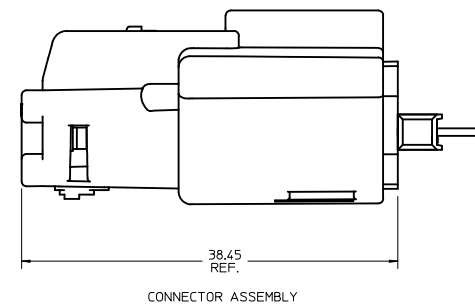
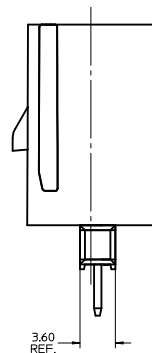
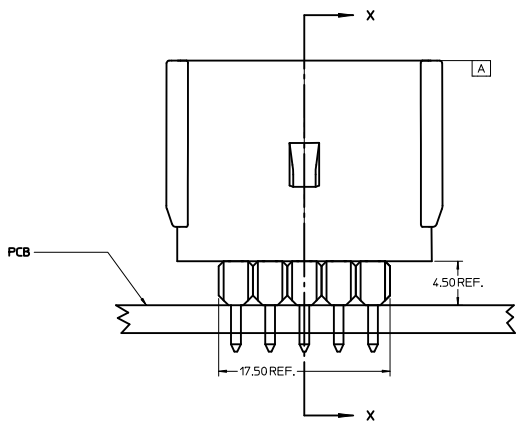
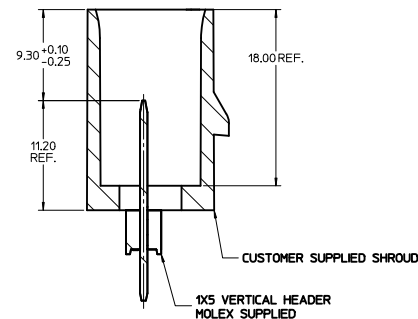
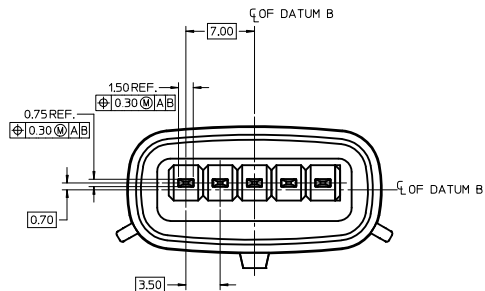
NOTES:

1. REFER TO MOLEX SALES DRAWING SD-75757-002 FOR THE HEADER ASSEMBLY PRODUCT DETAILS AND RECOMMENDED PCB LAYOUT.
2. KEYING OPTIONS A-D AND SUGGESTED COLORS COMPLY TO THE POLARIZATION STANDARDS ESTABLISHED FOR MATING WITH A MX150 FEMALE CONNECTOR.
3. INTERIOR SHROUD SURFACE MUST BE FREE OF DEFECTS AND PARTING LINES ALL AROUND TO ENSURE PROPER SEALING OF THE MATING MX150 FEMALE CONNECTOR.
4. A FULL SHROUD ON THE MATING CONNECTOR IS REQUIRED TO INSURE THE HEADER SHROUD POLARIZATION FEATURES (OPTIONS A-D) WILL FUNCTION PROPERLY. THE FULL SHROUD ALSO PREVENTS SCOOP DAMAGE TO THE HEADER CONTACTS.
5. PERMISSIBLE DRAFT ANGLE 0.25° MAXIMUM.
6. RADII ON ALL CORNERS SHOWN SHARP OR ALL UNSPECIFIED RADII 0.25 EXCEPT AS NOTED.
7. DIMENSIONS SHOWN ABOUT A CENTERLINE ARE SYMMETRICAL ABOUT THAT CENTERLINE WITHIN HALF THE SPECIFIED TOLERANCE.



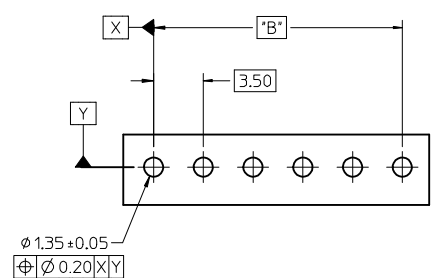
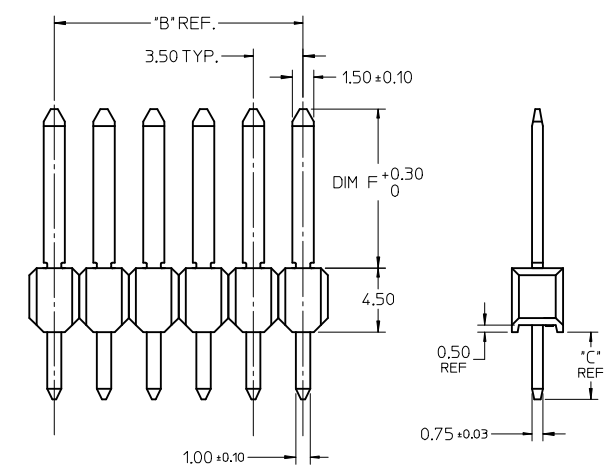
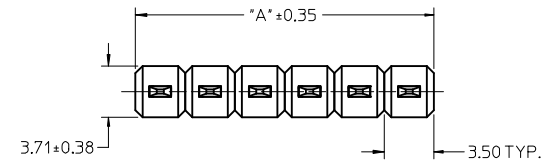
ADDED PLUG ASSY EC NO: UCP2011-2680 CHYD: DRWN:ROSICA APPR: JCOMERCL 2011/03/04 2011/03/07	QUALITY SYMBOLS	GENERAL TOLERANCES (UNLESS SPECIFIED)		DIMENSION STYLE	SCALE	DESIGN UNITS	THIRD ANGLE PROJECTION	
	$\nabla=0$ $\nabla=0$	mm	INCH	MM ONLY	4:1	METRIC		
		4 PLACES ±	3 PLACES ±	2 PLACES ±0.01	1 PLACE ±0.2	ANGULAR ±1/2°	DRAWN BY: JJANTELEZ10 DATE: 5/15/06 CHECKED BY: TMCLELL DATE: 5/15/06 APPROVED BY: BANAKIS DATE: 5/15/06	
	DRAFT WHERE APPLICABLE MUST REMAIN WITHIN DIMENSIONS		MATERIAL NO: 75757-1050 DOCUMENT NO: AS-75757-105		MOLEX MOLEX INCORPORATED SHEET NO: 1 OF 2		APPLICATION SPEC 1X5 MX150 HEADER SHROUD DETAILS	

NOTE:
 1. ADHERENCE TO THE APPLICATION DETAILS IS IMPERATIVE TO ENSURE PROPER SHROUD SEALING AND CONTACT ALIGNMENT WHEN MATED WITH A MX150 FEMALE CONNECTOR.



HEADER APPLICATION DETAILS

SEE SHT 1 IEC NO. UCP2011-2680 DRAWN BY: DRWN:DROSCA CHKD: APPR.: COMERCL 2011/03/04 2011/03/07	QUALITY SYMBOLS	GENERAL TOLERANCES (UNLESS SPECIFIED)	DIMENSION STYLE	SCALE	DESIGN UNITS	THIRD ANGLE PROJECTION
	▽=0 ▽=0	mm INCH 4 PLACES ± --- ± --- 3 PLACES ± --- ± --- 2 PLACES ± 0.01 ± --- 1 PLACE ± 0.2 ± --- ANGULAR ± 1/2°	MM ONLY	4:1	METRIC	APPLICATION SPEC 1X5 MX150 HEADER SHROUD DETAILS
	DESCRIPTION	DRAFT WHERE APPLICABLE MUST REMAIN WITHIN DIMENSIONS	DRAWN BY: JJANTELEZIO CHECKED BY: TMCLELL APPROVED BY: BANAKIS	DATE: 5/15/06 DATE: 5/15/06 DATE: 5/15/06	MATERIAL NO. 75757-1050 DOCUMENT NO. AS-75757-105	MOLEX INCORPORATED SHEET NO. 2 OF 2
	THIS DRAWING CONTAINS INFORMATION THAT IS PROPRIETARY TO MOLEX INCORPORATED AND SHOULD NOT BE USED WITHOUT WRITTEN PERMISSION					



RECOMMENDED PCB LAYOUT

NOTES:

1. TERMINAL MAT'L: ALLOY C26000, CARTRIDGE BRASS
2. WAFER MAT'L: 30% GLASS FILLED LCP, 94V-0, COLOR BLACK.
3. TERMINAL PLATING:
 - OPTION 1 - 2.5µm MIN MATTE TIN OVERALL OVER 1.50µm MIN. NICKEL OVERALL
 - OPTION 2 - 1.50µm MIN. NICKEL OVERALL 4.00µm MIN SELECT MATTE TIN PC TAIL AREA 0.05µm MIN SELECT GOLD CONTACT AREA
 - OPTION 3 - 1.50µm MIN. NICKEL OVERALL 4.00µm MIN SELECT MATTE TIN PC TAIL AREA 0.50µm MIN. SELECT GOLD CONTACT AREA
 - OPTION 4 - 1.5µm MIN MATTE TIN OVERALL OVER 150µm MIN. NICKEL OVERALL
4. HEADER ASSEMBLIES ARE TUBE PACKAGED PER PK-36518-342.
5. MAXIMUM SKIVING ALLOWED: 1mm.
6. MAXIMUM CUT-OFF BURR ALLOWED: 0.30mm.
7. MAXIMUM DIG MARK ALLOWED: 0.45mm.

CKT SIZE	PLATING OPTION	MATERIAL NUMBER	TOOLED		TOOLED		TOOLED		TOOLED		STATUS					
			F DIM	*C* DIM	MATERIAL NUMBER	*F* DIM	*C* DIM	MATERIAL NUMBER	*F* DIM	*C* DIM	MATERIAL NUMBER	*F* DIM	*C* DIM	*A* DIM	*B* DIM	
1 x 2		1	75757-0121	11.20	3.05	75757-0122	11.20	4.75	75757-0123	16.09	3.05	75757-0124	13.35	3.05	7	3.5
		2	75757-0221			75757-0222			75757-0223			75757-0224				
		3	75757-0321			75757-0322			75757-0323			75757-0324				
		4	75757-0421			75757-0422			75757-0423			75757-0424				
1 x 3		1	75757-0131	11.20	3.05	75757-0132	11.20	4.75	75757-0133	16.09	3.05	75757-0134	13.35	3.05	10.5	7.00
		2	75757-0231			75757-0232			75757-0233			75757-0234				
		3	75757-0331			75757-0332			75757-0333			75757-0334				
		4	75757-0431			75757-0432			75757-0433			75757-0434				
1 x 4		1	75757-0141	11.20	3.05	75757-0142	11.20	4.75	75757-0143	16.09	3.05	75757-0144	13.35	3.05	14.0	10.50
		2	75757-0241			75757-0242			75757-0243			75757-0244				
		3	75757-0341			75757-0342			75757-0343			75757-0344				
		4	75757-0441			75757-0442			75757-0443			75757-0444				
1 x 5		1	75757-0151	11.20	3.05	75757-0152	11.20	4.75	75757-0153	16.09	3.05	75757-0154	13.35	3.05	17.5	14.00
		2	75757-0251			75757-0252			75757-0253			75757-0254				
		3	75757-0351			75757-0352			75757-0353			75757-0354				
		4	75757-0451			75757-0452			75757-0453			75757-0454				
1 x 6		1	75757-0161	11.20	3.05	75757-0162	11.20	4.75	75757-0163	16.09	3.05	75757-0164	13.35	3.05	21.0	17.50
		2	75757-0261			75757-0262			75757-0263			75757-0264				
		3	75757-0361			75757-0362			75757-0363			75757-0364				
		4	75757-0461			75757-0462			75757-0463			75757-0464				

USCAR NOTE REMOVED EC NO: 12015-0177 DRAWINGS 2015/06/15 CHKD:BR02 2015/07/02 APPR:KPRASAD 2015/07/21	DESCRIPTION	QUALITY SYMBOLS	GENERAL TOLERANCES (UNLESS SPECIFIED)	DIMENSION STYLE	SCALE	DESIGN UNITS	THIRD ANGLE PROJECTION	
		▽=0	mm INCH	MM ONLY	4:1	METRIC	☉	
		▽=0	4 PLACES ± --- ± ---	DRAWN BY DATE	TITLE			
		▽=0	3 PLACES ± 0.13 ± ---	TMCCLELL 1/24/06	MX150 SINGLE ROW UNSHROUDED VERTICAL HEADER ASSEMBLY			
		1 PLACE ± 0.25 ± ---	CHECKED BY DATE	SD-75757-010				
		0 PLACE ± ±	TMCCLELL 1/24/06	SHEET NO. 1 OF 1				
		ANGULAR ±1/2°	APPROVED BY DATE	THIS DRAWING CONTAINS INFORMATION THAT IS PROPRIETARY TO MOLEX INCORPORATED AND SHOULD NOT BE USED WITHOUT WRITTEN PERMISSION				
		DRAFT WHERE APPLICABLE MUST REMAIN WITHIN DIMENSIONS	BANAK I S 1/24/06	MATERIAL NO. DOCUMENT NO.				

