

REVISIONS				
EC NO	DATE	REV	DESCRIPTION	CHANGER
	2016.07.26	A	INITIAL RELEASE.	DICK

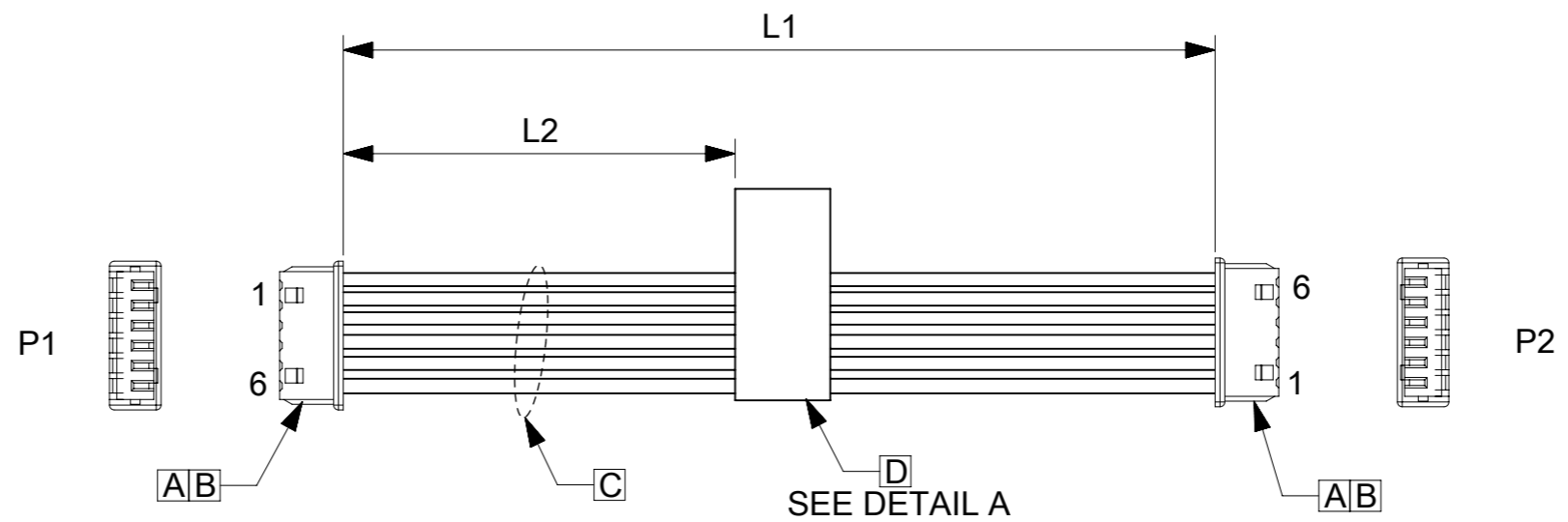
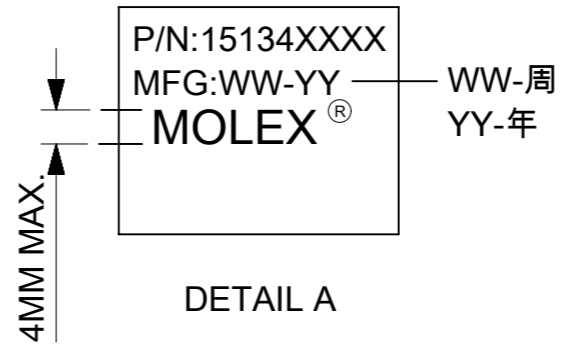


TABLE			
PART NUMBER	L1	L2	TITLE
151340600	50±6	20±5	Picoblade 6 Circuit 50MM
151340601	100±6	45±5	Picoblade 6 Circuit 100MM
151340602	150±8	70±5	Picoblade 6 Circuit 150MM
151340603	300±10	145±10	Picoblade 6 Circuit 300MM
151340605	450±10	220±10	Picoblade 6 Circuit 450MM
151340606	600±10	295±10	Picoblade 6 Circuit 600MM



- NOTES**
- THIS PRODUCT MUST MEET 2011/65/EU ROHS COMPLIANCE.
此产品需符合 2011/65/EU ROHS环保要求.
 - ELECTRICAL PERFORMANCE REFER TO ES-000.
电气特性参考ES-000.
 - LABEL TEXT MUST BE 2mm MAX. IN HEIGHT WITH ARIAL FONT.
标签字高最大2mm,字体ARIAL.
 - STICK UL LABEL ON THE OUTSIDE CARTON.
外箱上贴UL标签.

D	Blank label 12.7x35.5mm (WHT:12.7mm) HF		1
C	UL&CSA 1061/#28 STR BLK	A/R	
B	1.25MM CRIMP REC TERMINAL		12
A	6CKT RECEPTACLE HOUSING		2
ITEM	DESCRIPTION	L(MM)	QTY

WIRING CHART		
P1	P2	COLOR
1	6	BLACK
2	5	BLACK
3	4	BLACK
4	3	BLACK
5	2	BLACK
6	1	BLACK

QUALITY SYMBOLS FA = 0 FE = 0 FB = 0 ▼ = 0 C = 0 ⊗ = 0 ■ = 0 ∇ = 0	THIS DRAWING CONTAINS INFORMATION THAT IS PROPRIETARY TO MOLEX ELECTRONIC TECHNOLOGIES, LLC AND SHOULD NOT BE USED WITHOUT WRITTEN PERMISSION		DIMENSION UNITS MM	SCALE NTS			
	EC NO: 106943 DRWN: WLXIE CHK'D: DHUANG16 APPR: YXZOU	2016/07/25 2016/07/26 2016/07/27	GENERAL TOLERANCES (UNLESS SPECIFIED) ANGULAR TOL ± °	DRWN BY WLXIE		DATE 2016/07/11	SEE TABLE
	DRAFT WHERE APPLICABLE MUST REMAIN WITHIN DIMENSIONS		4 PLACES ± 3 PLACES ± 2 PLACES ± 1 PLACE ± 0 PLACES ±	CHK'D BY DHUANG16		DATE 2016/07/24	
	A		DRAUGHTING SYMBOLS A3	DRAWING SIZE A3		THIRD ANGLE PROJECTION	PRODUCT CUSTOMER DRAWING
RELEASE STATUS P1 RELEASE DATE 28.07.2016 02:47:12		SERIES MATERIAL NUMBER CUSTOMER 201234 SEE TABLE GENERAL MARKET		DOCUMENT NUMBER DOC TYPE DOC PART SHEET NUMBER 2012341358 PSD 000 1 OF 1			