

PLEASE CHECK WWW.MOLEX.COM FOR LATEST PART INFORMATION

Part Number: [87863-0025](#)
Status: **Active**
Description: 1.27mm Signal Pitch, 0.80mm SCSI Pitch, 1.27mm Power Pitch SAS Receptacle, Vertical, Press fit, 3.50mm Tail Length, 29 Circuits, Lead-Free

Documents:

[3D Model](#) [Product Specification PS-87863-060 \(PDF\)](#)
[Drawing \(PDF\)](#) [RoHS Certificate of Compliance \(PDF\)](#)

Agency Certification

CSA LR19980
 UL E29179

General

Product Family I/O Connectors
 Series [87863](#)
 Application Board-to-Board
 Comments No pick and place cap
 Component Type Receptacle
 Product Name SAS
 Type N/A
 UPC 822350197410

Physical

Boot Color N/A
 Circuits (Loaded) 29
 Circuits (maximum) 29
 Circuits Detail Signal 7, SCSI 7, Power 15
 Color - Resin Black
 Durability (mating cycles max) 500
 Flammability 94V-0
 Gender Female
 Keying to Mating Part Yes
 Lock to Mating Part None
 Material - Metal Phosphor Bronze
 Material - Plating Mating Gold
 Material - Plating Termination Tin
 Material - Resin High Temperature Thermoplastic
 Net Weight 1.579/g
 Number of Rows 2
 Orientation Vertical
 PC Tail Length 3.00mm, 3.50mm
 PCB Locator Yes
 PCB Retention Yes
 PCB Thickness - Recommended 2.29mm, 3.18mm
 Packaging Type Tray
 Panel Mount Yes
 Pitch - Mating Interface 0.80mm, 1.27mm
 Pitch - Termination Interface 0.80mm, 1.27mm
 Plating min - Mating 0.762µm
 Plating min - Termination 2.540µm
 Polarized to Mating Part Yes
 Polarized to PCB Yes
 Surface Mount Compatible (SMC) Yes
 Temperature Range - Operating 0°C to +55°C
 Termination Interface: Style Through Hole - Compliant Pin

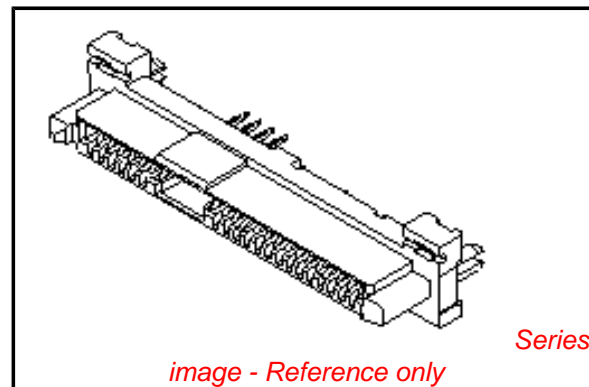


image - Reference only

EU RoHS

ELV and RoHS Compliant
REACH SVHC Contains SVHC: No
Low-Halogen Status Low-Halogen

China RoHS



Need more information on product environmental compliance?

Email productcompliance@molex.com
 For a multiple part number RoHS Certificate of Compliance, [click here](#)

Please visit the [Contact Us](#) section for any non-product compliance questions.

Search Parts in this Series

[87863Series](#)

Mates With

[87679](#) , [87799](#) , [87703](#) , SFF 8482 Hard Disk Drive and Backplane Plug

Waterproof / Dustproof	No
Wire Size AWG	N/A

Electrical

Current - Maximum per Contact	1.5A
Shielded	No
Voltage - Maximum	30V

Material Info**Reference - Drawing Numbers**

Electrical Model Document	EE-87863-001, EE-87863-002, EE-87863-003, EE-87863-004, EE-87863-005, EE-87863-006, EE-87863-007, EE-87863-008
Product Specification	PS-87863-060
Sales Drawing	SD-87863-059

This document was generated on 11/27/2012

PLEASE CHECK WWW.MOLEX.COM FOR LATEST PART INFORMATION