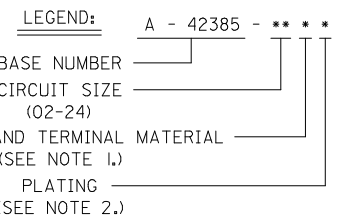


**NOTES:**

- HOUSING AND TERMINAL MATERIAL:
  - A - HOUSING : NYLON 6/6, UNFILLED U.L. 94V-2, COLOR NATURAL. TERMINAL: BRASS.
  - B - HOUSING : NYLON 6/6, UNFILLED U.L. 94V-0, COLOR NATURAL. TERMINAL: BRASS.
  - C - HOUSING : NYLON 6/6, UNFILLED U.L. 94V-2, COLOR NATURAL. TERMINAL: PHOS. BRONZE.
  - D - HOUSING : NYLON 6/6, UNFILLED U.L. 94V-0, COLOR NATURAL. TERMINAL: PHOS. BRONZE.
- TERMINAL PLATING:
  - 1 - .000100/(.00254) MIN. MATTE TIN OVER .000050/(.00127) MIN. NICKEL.
  - 2 - .000030/(.00076) MIN. SELECT GOLD AND .000100/(.00254) MIN. SELECT MATTE TIN OVER .000050/(.00127) MIN. NICKEL OVERALL.
  - 4 - .000050/(.00127) MIN. SELECT GOLD AND .000100/(.00254) MIN. SELECT MATTE TIN OVER .000050/(.00127) MIN. NICKEL OVERALL.
- PRODUCT SPECIFICATION: PS-5556-002.
- TRAY PACK PER PK-42385-999.
- PART MATES WITH MINI-FIT B.M.I. PLUG #42475 AND HEADERS 42404,42440,43810,43879, AND 44068
- PHANTOM LINES INDICATE AREAS WHERE TERMINAL STANDOFFS CONTACT P.C. BOARD. NO EXPOSED TRACES OR VIAS ALLOWED NEAR THESE AREAS.
- A MAXIMUM TOLERANCE OF .050/(1.27) ALLOWS FOR 2 POINTS OF ELECTRICAL CONTACT. A MAXIMUM TOLERANCE OF .020/(.51) ALLOWS FOR 4 POINTS OF CONTACT.
- .016 IN/IN OR .016 MM/MM MAX. BOW ALLOWABLE AT DATUM -C-.
- IT IS RECOMMENDED TO USE THE 42475 SERIES MATING PART NUMBER WITHOUT TERMINALS TO AID IN PCB INSERTION. INSERT THE 42385 PART INTO THE 42475 PART AND THEN INSERT INTO THE PCB.
- DIMENSION TO BE USED FOR ALIGNMENT OF CIRCUIT #1 OF MATING CONNECTOR
- CONNECTOR ASSEMBLIES ARE NOT TO BE MATED OR UNMATED WHILE CIRCUITS ARE LIVE.
- PARTS NOT DESIGNED FOR CURRENT SHARING.
- WHEN THIS PRODUCT IS USED IN A BLIND MATING APPLICATION, THE SYSTEM LEVEL DESIGN MUST INCORPORATE GUIDANCE SO THE CONNECTORS ARE WITHIN THE CAPTURE ENVELOPE (UP TO (.100/2.54) MISALIGNMENT) OF THE FLANGES ON THE HEADER OR PLUG HOUSING AND CAN THUS ALIGN THEMSELVES AS THEY COME TOGETHER. FLOAT IS ALSO REQUIRED IN THE OVERALL DESIGN, TO ALLOW THE PCB RECEPTACLE OR IT'S MATE TO MOVE INTO A STRESS-FREE POSITION AFTER MATING. IN BOARD TO BOARD APPLICATIONS, ONLY ONE HEADER IS ALLOWED PER P.C. BOARD.
- PARTS CONFORM TO CLASS 'B' REQUIREMENTS OF COSMETIC SPECIFICATION PS-45499-002.

CIRCUIT SIZE	DIM. "A"	DIM. "B"	DIM. "C"
2	—	.21 (5.4)	.370 (9.40)
4	.165 (4.20)	.38 (9.6)	.535 (13.60)
6	.331 (8.40)	.54 (13.8)	.701 (17.80)
8	.496 (12.60)	.71 (18.0)	.866 (22.00)
10	.661 (16.80)	.87 (22.2)	1.031 (26.20)
12	.827 (21.00)	1.04 (26.4)	1.197 (30.40)
14	.992 (25.20)	1.20 (30.6)	1.362 (34.60)
16	1.157 (29.40)	1.37 (34.8)	1.528 (38.80)
18	1.323 (33.60)	1.54 (39.0)	1.693 (43.00)
20	1.488 (37.80)	1.70 (43.2)	1.858 (47.20)
22	1.654 (42.00)	1.87 (47.4)	2.024 (51.40)
24	1.819 (46.20)	2.03 (51.6)	2.189 (55.60)

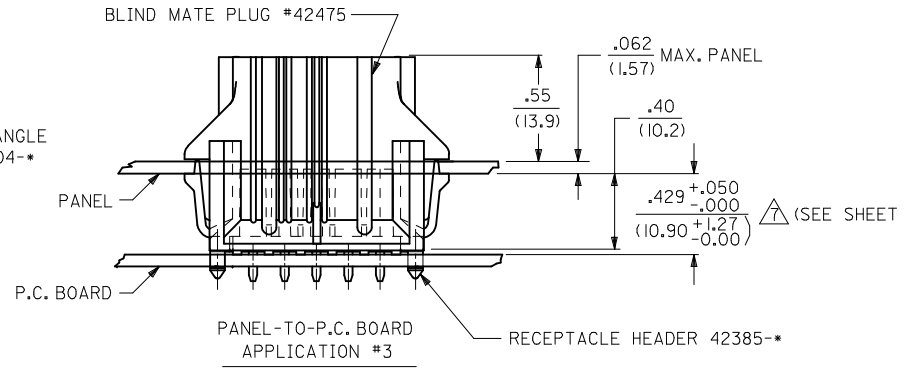
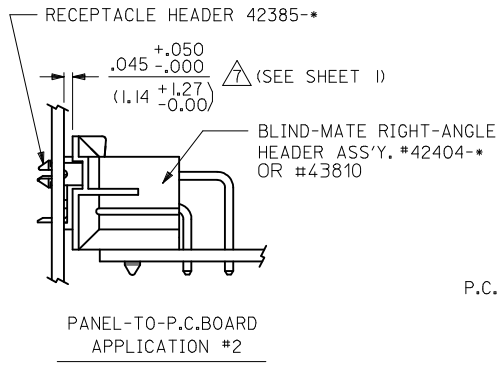
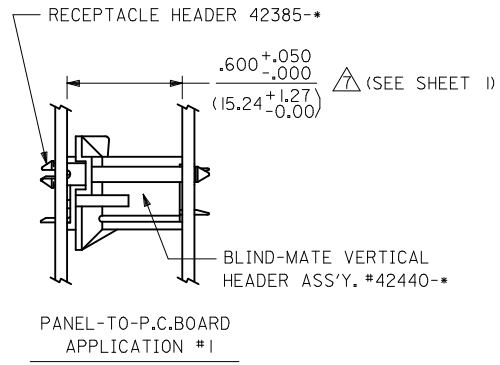
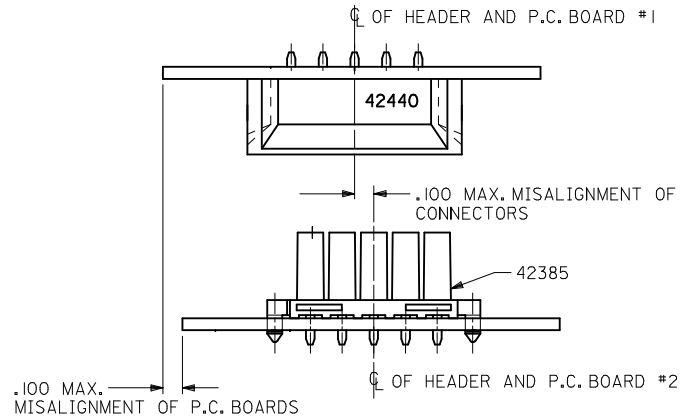
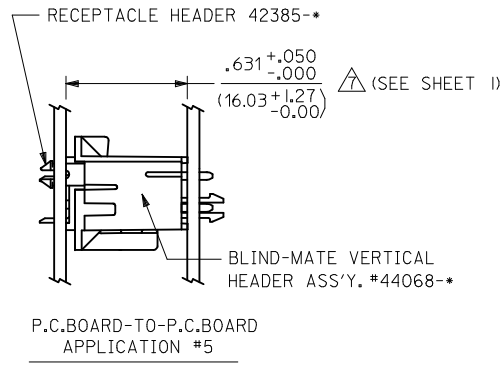
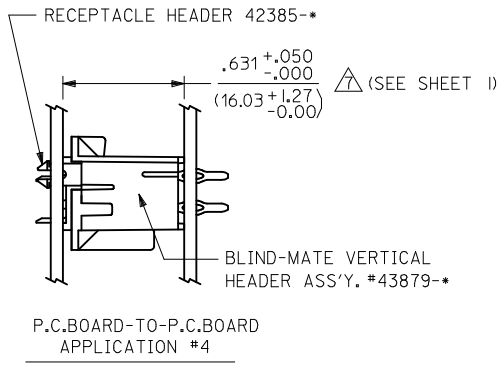


UPDATE EARS ON #3	2016/01/18	QUALITY SYMBOLS
EC NO: UCP2016-2850	2016/01/18	▽=0
DRWING:SLAFTER	2016/01/18	▽=0
CHKD:JBELL	2016/02/05	▽=0
APPR:FSMITH		
REV	DESCRIPTION	
X4		

GENERAL TOLERANCES (UNLESS SPECIFIED)	
mm	INCH
4 PLACES ± .010	± .010
3 PLACES ± .010	± .010
2 PLACES ± .025	± .015
1 PLACE ± .038	± .015
0 PLACE ±	±
ANGULAR ± 5°	
DRAFT WHERE APPLICABLE MUST REMAIN WITHIN DIMENSIONS	

DIMENSION STYLE	
IN/MM	
DRAWN BY	DATE
RJF	1988/12/09
CHECKED BY	DATE
JTR	1988/12/09
APPROVED BY	DATE
FSMITH	2010/11/22
MATERIAL NO.	
SEE SHT 3-4	

SCALE	DESIGN UNITS	THIRD ANGLE PROJECTION
4:1	METRIC	☉ □
RECEPTACLE HEADER ASSY		
MINI-FIT SERIES		
BLIND MATE		
<b>molex</b>		
DOCUMENT NO.	SHEET NO.	
SDA-42385-*	1 OF 4	
THIS DRAWING CONTAINS INFORMATION THAT IS PROPRIETARY TO MOLEX INCORPORATED AND SHOULD NOT BE USED WITHOUT WRITTEN PERMISSION		



SEE NOTE 13

SEE SHEET 1 EC NO: UCP2016-2850 DRWNG: SLAFER 2016/01/18 CHKD: JBELL 2016/01/18 APPR: FSMITH 2016/02/05	QUALITY SYMBOLS ▽=0 ▽=0 ▽=0	GENERAL TOLERANCES (UNLESS SPECIFIED)		DIMENSION STYLE IN/MM	SCALE 4:1	DESIGN UNITS METRIC	THIRD ANGLE PROJECTION
		4 PLACES ± --- ± ---	DRAWN BY RJF	DATE 1988/12/09	RECEPTACLE HEADER ASSY MINI-FIT SERIES BLIND MATE <b>molex</b> SDA-42385-*		
		3 PLACES ± --- ± .010	CHECKED BY JTR	DATE 1988/12/09			
		2 PLACES ± 0.25 ± .015	APPROVED BY FSMITH	DATE 2010/11/22			
1 PLACE ± 0.38 ± ---	MATERIAL NO. SEE CHART						
0 PLACE ± ±	ANGULAR ± 5 °		DOCUMENT NO. SDA-42385-*		SHEET NO. 2 OF 4		
DRAFT WHERE APPLICABLE MUST REMAIN WITHIN DIMENSIONS		THIS DRAWING CONTAINS INFORMATION THAT IS PROPRIETARY TO MOLEX INCORPORATED AND SHOULD NOT BE USED WITHOUT WRITTEN PERMISSION					

PART NUMBER	ENG. NUMBER	CKT. SIZE	HSG./TERM. MATERIAL	TERMINAL PLATING
NO E.D.P.	A-42385-02B1	2	94V-0,BRASS	MATTE TIN OVER NICKEL
15-24-7041	-04B1	4		
15-24-7061	-06B1	6		
NO E.D.P.	-08B1	8		
15-24-7101	-10B1	10		
NO E.D.P.	-12B1	12		
15-24-7141	-14B1	14		
15-24-7161	-16B1	16		
15-24-7181	-18B1	18		
NO E.D.P.	-20B1	20		
NO E.D.P.	-22B1	22		
15-24-7241	A-42385-24B1	24	94V-0,BRASS	MATTE TIN OVER NICKEL
NO E.D.P.	A-42385-02B2	2	94V-0,BRASS	30 M.I. SEL. GOLD
15-24-7043	-04B2	4		
15-24-7063	-06B2	6		
NO E.D.P.	-08B2	8		
15-24-7103	-10B2	10		
NO E.D.P.	-12B2	12		
15-24-7143	-14B2	14		
15-24-7163	-16B2	16		
15-24-7183	-18B2	18		
NO E.D.P.	-20B2	20		
NO E.D.P.	-22B2	22		
15-24-7243	A-42385-24B2	24	94V-0,BRASS	30 M.I. SEL. GOLD

PART NUMBER	ENG. NUMBER	CKT. SIZE	HSG./TERM. MATERIAL	TERMINAL PLATING
NO E.D.P.	A-42385-02A1	2	94V-2/BRASS	MATTE TIN OVER NICKEL
15-24-7040	-04A1	4		
15-24-7060	-06A1	6		
NO E.D.P.	-08A1	8		
15-24-7100	-10A1	10		
NO E.D.P.	-12A1	12		
15-24-7140	-14A1	14		
15-24-7160	-16A1	16		
15-24-7180	-18A1	18		
NO E.D.P.	-20A1	20		
NO E.D.P.	-22A1	22		
15-24-7240	A-42385-24A1	24	94V-2/BRASS	MATTE TIN OVER NICKEL
NO E.D.P.	A-42385-02A2	2	94V-2/BRASS	30 M.I. SEL. GOLD
15-24-7042	-04A2	4		
15-24-7062	-06A2	6		
NO E.D.P.	-08A2	8		
15-24-7102	-10A2	10		
NO E.D.P.	-12A2	12		
15-24-7142	-14A2	14		
15-24-7162	-16A2	16		
15-24-7182	-18A2	18		
NO E.D.P.	-20A2	20		
NO E.D.P.	-22A2	22		
15-24-7242	A-42385-24A2	24	94V-2/BRASS	30 M.I. SEL. GOLD
NO E.D.P.	A-42385-02C1	2	94V-2/P.B.	MATTE TIN OVER NICKEL
15-24-7044	-04C1	4		
15-24-7064	-06C1	6		
NO E.D.P.	-08C1	8		
15-24-7104	-10C1	10		
NO E.D.P.	-12C1	12		
15-24-7144	-14C1	14		
NO E.D.P.	-16C1	16		
15-24-7184	-18C1	18		
NO E.D.P.	-20C1	20		
NO E.D.P.	-22C1	22		
15-24-7244	A-42385-24C1	24	94V-2/P.B.	MATTE TIN OVER NICKEL
NO E.D.P.	A-42385-02C2	2	94V-2/P.B.	30 M.I. SEL. GOLD
NO E.D.P.	-04C2	4		
NO E.D.P.	-06C2	6		
NO E.D.P.	-08C2	8		
NO E.D.P.	-10C2	10		
NO E.D.P.	-12C2	12		
NO E.D.P.	-14C2	14		
NO E.D.P.	-16C2	16		
NO E.D.P.	-18C2	18		
NO E.D.P.	-20C2	20		
NO E.D.P.	-22C2	22		
NO E.D.P.	A-42385-24C2	24	94V-2/P.B.	30 M.I. SEL. GOLD

**SEE SHEET 1**  
 EC NO: UCP2016-2850  
 DRAWN:CSLAFTER 2016/01/18  
 CHKD:JBELL 2016/01/18  
 APPR:FSMITH 2016/02/05

QUALITY SYMBOLS

GENERAL TOLERANCES (UNLESS SPECIFIED)

	mm	INCH
4 PLACES	± .005	± .0002
3 PLACES	± .005	± .010
2 PLACES	± .025	± .015
1 PLACE	± .038	± .0015
0 PLACE	± .075	± .0030

ANGULAR ± 5 °

DRAFT WHERE APPLICABLE MUST REMAIN WITHIN DIMENSIONS

DIMENSION STYLE: IN/MM

SCALE: 1:1

DESIGN UNITS: METRIC

THIRD ANGLE PROJECTION

RECEPTACLE HEADER ASSY  
 MINI-FIT SERIES  
 BLIND MATE

**molex**

SDA-42385-\*

SEE CHART

MATERIAL NO. DOCUMENT NO. SHEET NO. 3 OF 4

THIS DRAWING CONTAINS INFORMATION THAT IS PROPRIETARY TO MOLEX INCORPORATED AND SHOULD NOT BE USED WITHOUT WRITTEN PERMISSION

PART NUMBER	ENG. NUMBER	CKT. SIZE	HSG./TERM. MATERIAL	TERMINAL PLATING
NO E.D.P.	A-42385-02D4	2	94V-0/P.B.	50 M.I. SEL., GOLD
NO E.D.P.	-04D4	4		
NO E.D.P.	-06D4	6		
NO E.D.P.	-08D4	8		
NO E.D.P.	-10D4	10		
NO E.D.P.	-12D4	12		
NO E.D.P.	-14D4	14		
NO E.D.P.	-16D4	16		
NO E.D.P.	-18D4	18		
NO E.D.P.	-20D4	20		
NO E.D.P.	-22D4	22		
NO E.D.P.	A-42385-24D4	24	94V-0/P.B.	50 M.I. SEL., GOLD

PART NUMBER	ENG. NUMBER	CKT. SIZE	HSG./TERM. MATERIAL	TERMINAL PLATING
NO E.D.P.	A-42385-02C4	2	94V-2/P.B.	50 M.I. SEL., GOLD
NO E.D.P.	-04C4	4		
NO E.D.P.	-06C4	6		
NO E.D.P.	-08C4	8		
NO E.D.P.	-10C4	10		
NO E.D.P.	-12C4	12		
NO E.D.P.	-14C4	14		
NO E.D.P.	-16C4	16		
NO E.D.P.	-18C4	18		
NO E.D.P.	-20C4	20		
NO E.D.P.	-22C4	22		
NO E.D.P.	A-42385-24C4	24	94V-2/P.B.	50 M.I. SEL., GOLD

<b>SEE SHEET 1</b> EC NO: UCP2016-2850 DRWNG:SLAFTR 2016/01/18 CHKD:JBELL 2016/01/18 APPR:FSMITH 2016/02/05 X4	QUALITY SYMBOLS 	GENERAL TOLERANCES (UNLESS SPECIFIED) <table border="1"> <thead> <tr> <th></th> <th>mm</th> <th>INCH</th> </tr> </thead> <tbody> <tr><td>4 PLACES</td><td>± .---</td><td>± .---</td></tr> <tr><td>3 PLACES</td><td>± .---</td><td>± .010</td></tr> <tr><td>2 PLACES</td><td>± 0.25</td><td>± .015</td></tr> <tr><td>1 PLACE</td><td>± 0.38</td><td>± .---</td></tr> <tr><td>0 PLACE</td><td>±</td><td>±</td></tr> </tbody> </table>		mm	INCH	4 PLACES	± .---	± .---	3 PLACES	± .---	± .010	2 PLACES	± 0.25	± .015	1 PLACE	± 0.38	± .---	0 PLACE	±	±	DIMENSION STYLE <b>IN/MM</b> DRAWN BY DATE RJF 1988/12/09 CHECKED BY DATE JTR 1988/12/09 APPROVED BY DATE FSMITH 2010/11/22	SCALE DESIGN UNITS <b>METRIC</b> THIRD ANGLE PROJECTION	TITLE <b>RECEPTACLE HEADER ASSY          MINI-FIT SERIES          BLIND MATE</b> 	MATERIAL NO. <b>SEE CHART</b> DOCUMENT NO. <b>SDA-42385-*</b> SHEET NO. <b>4 OF 4</b>
		mm	INCH																					
	4 PLACES	± .---	± .---																					
	3 PLACES	± .---	± .010																					
2 PLACES	± 0.25	± .015																						
1 PLACE	± 0.38	± .---																						
0 PLACE	±	±																						
DRAFT WHERE APPLICABLE MUST REMAIN WITHIN DIMENSIONS		ANGULAR ± 5 °		THIS DRAWING CONTAINS INFORMATION THAT IS PROPRIETARY TO MOLEX INCORPORATED AND SHOULD NOT BE USED WITHOUT WRITTEN PERMISSION																				