

PLEASE CHECK WWW.MOLEX.COM FOR LATEST PART INFORMATION

Part Number: [0732510071](#)
Status: **Active**
Overview: [SMA RF Connectors](#)
Description: 50 Ohms, SMA Right-Angle Plug, Solder, RG-402 (.141) Cable, Body Stainless Steel, Gold Plated

Documents:

[Drawing \(PDF\)](#) [RoHS Certificate of Compliance \(PDF\)](#)

General

Product Family	RF/Coax Connectors
Series	73251
Overview	SMA RF Connectors
Product Name	SMA
Style	Cable
UPC	800756008691
Wire/Cable Type	RG-402 3.58mm

Physical

Gender	Plug
Keying to Mating Part	None
Net Weight	5.000/g
Orientation	Right Angle
PCB Mounting	N/A
Packaging Type	Tray
Panel Mount	No
Panel Mount Method	N/A
Reverse Polar	No

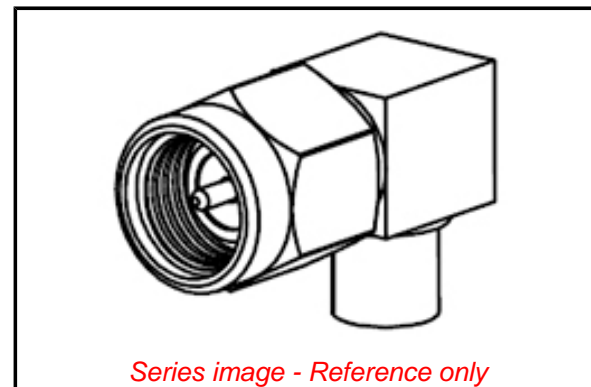
Electrical

Impedance	50#
-----------	-----

Material Info

Reference - Drawing Numbers

Sales Drawing	SD-73251-007
---------------	--------------



Series image - Reference only

EU ELV

Not Reviewed

EU RoHS

Not Reviewed

REACH SVHC

Not Reviewed

Halogen-Free

Status

Not Reviewed

Need more information on product environmental compliance?

Email productcompliance@molex.com
Please visit the [Contact Us](#) section for any non-product compliance questions.

China ROHS

Not Reviewed

ELV

Not Reviewed

Search Parts in this Series

[73251](#) Series