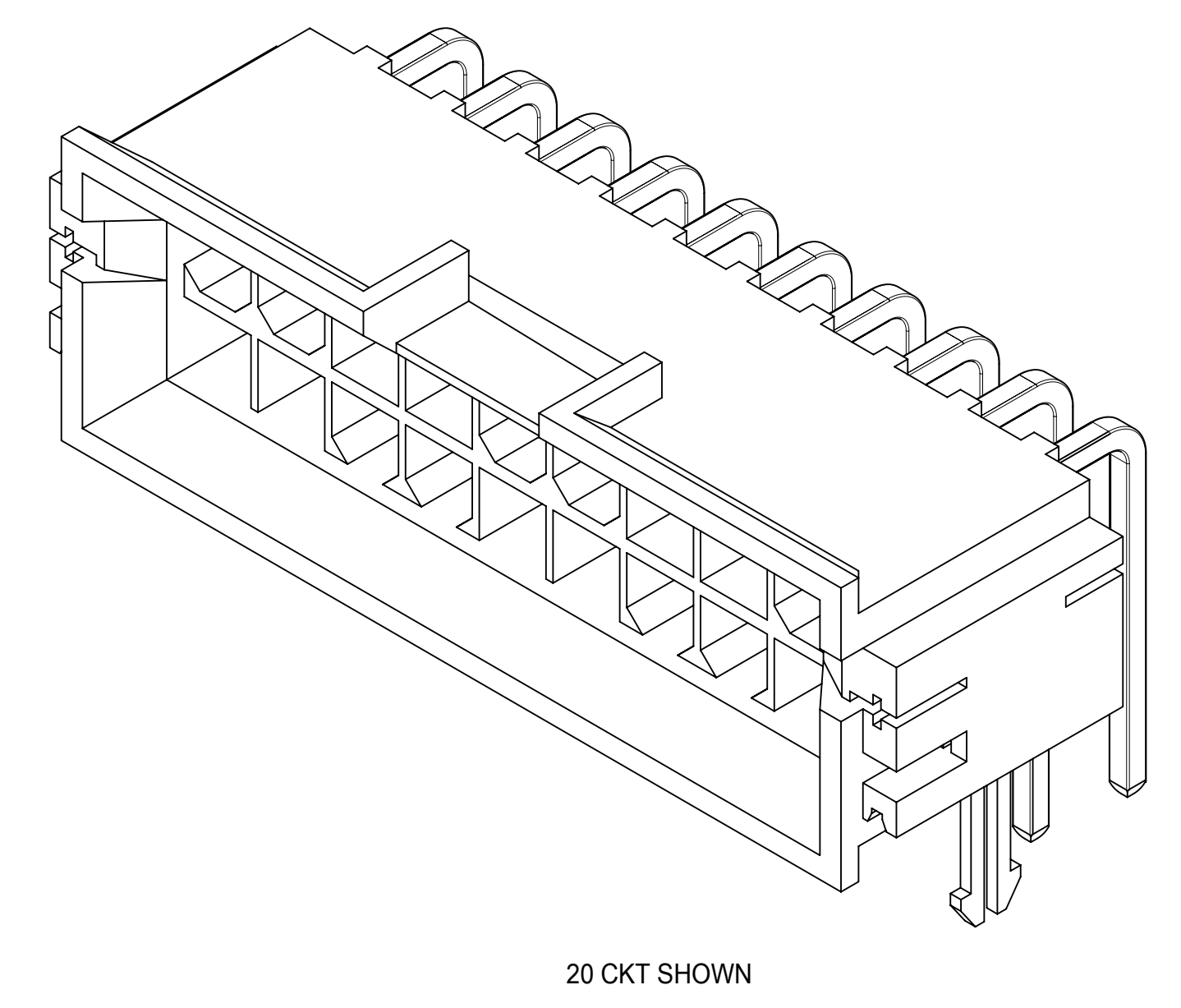
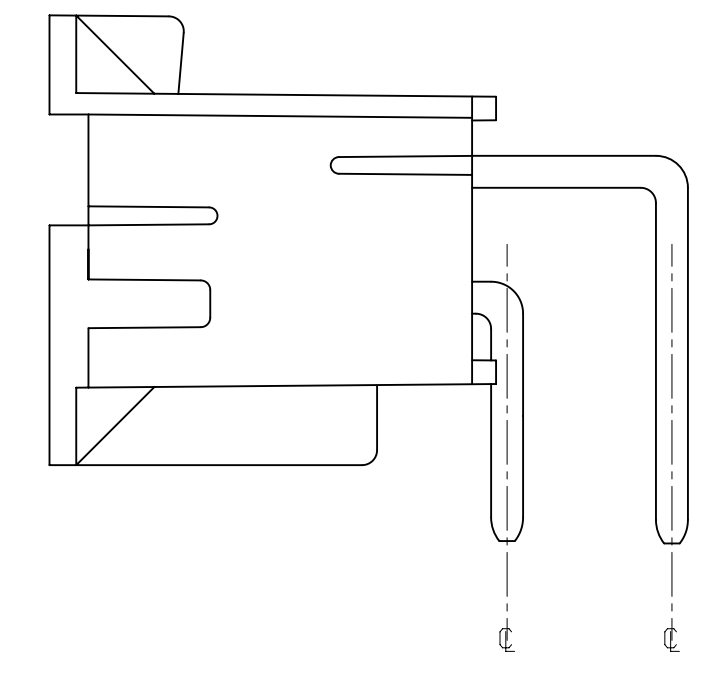


- NOTES
- 1) MATERIALS  
HOUSING: NYLON 4/6 UL 94V-0 GLASS FILLED, COLOR: BLACK  
TERMINAL: BRASS  
BOARD RETENTION CLIP: BRASS
  - 2) FINISHES:  
TERMINAL:  
1.=(0.00254)/.000100 MIN. BRIGHT TIN OVER (0.00127)/.000050 MIN. NICKEL  
2.=(0.00076)/.000030 MIN. SELECT GOLD AND (0.00254)/.000100 MIN. SELECT MATTE TIN OVER (0.00127)/.000050 MIN. NICKEL OVERALL  
MOUNTING CLIP:  
(0.00254)/.000100 MIN. MATTE TIN OVER (0.00127)/.000050 MIN. NICKEL
  - 3) PRODUCT SPECIFICATION: PS-43810-001
  - 4) PACKAGING SPECIFICATION: PK-43810-001
  - 5) PARTS MATES WITH MOLEX RECPACLE #5557 AND #42474 AND #44516 AND #42385 HEADER
  - 6) PART ALLOWS FOR (1.27)/.050 MAX MIS-ALIGNMENT WITH MATING HOUSINGS IN ANY DIRECTION
  - 7) CONNECTOR ASSEMBLIES ARE NOT TO BE MATED AND UNMATED WHILE CIRCUITS ARE LIVE
  - 8) PARTS ARE NOT DESIGNED FOR CURRENT SHARING
  - 9) DISCOLORATION IN THE BANDOLIER CARRIER AREA OF THE PIN IS INHERENT TO THE PLATING PROCESS AND IS DUE TO THE MASKING EFFECT OF THE CARRIER. THIS DISCOLORATION IS IN A NON-FUNCTIONAL AREA OF THE PIN AND WILL NOT AFFECT THE PERFORMANCE OF THE HEADER ASSEMBLY.
  - 10) PART CONFORMS TO CLASS "B" REQUIREMENTS OF COSMETIC SPECIFICATION PS-45499-002
  - 11) FORMING MARKS ARE ACCEPTABLE
  - 12) DIMENSION DOES NOT APPLY TO PARTS WITHOUT CLIP OPTION.
  - 13) TEXT ON PART IS FOR REFERENCE ONLY. TEXT AND TEXT LOCATION MAY VARY DEPENDING ON PART NUMBER AND/OR TOOL.



HEADER ASSEMBLY WITH NO CLIP OPTION

QUALITY SYMBOLS	THIS DRAWING CONTAINS INFORMATION THAT IS PROPRIETARY TO MOLEX ELECTRONIC TECHNOLOGIES, LLC AND SHOULD NOT BE USED WITHOUT WRITTEN PERMISSION		DIMENSION UNITS		SCALE				
			MM/IN		4:1				
▽ = 0	CONVERT TO INX EC NO. 114248 DRWN: BAPPELDORN CHKD: JBELL REV / APPR: FSMITH	GENERAL TOLERANCES (UNLESS SPECIFIED)		DRWN BY	DATE	MINI-FIT JR BMI RIGHT ANGLE HEADER ASM. FOR 1.6/.063 THK. PCB PRODUCT CUSTOMER DRAWING			
▽ = 0		MM	INCH	MANLAPAZ	1997/01/06				
▽ = 0		4 PLACES ±	±	CHK'D BY	DATE				
▽ = 0		3 PLACES ±	± 0.01	BANDURA	1997/03/26				
▽ = 0		2 PLACES ±	± 0.25 ± 0.014	APPR BY	DATE				
▽ = 0	1 PLACES ±	± 0.35 ±	FSMITH	2012/01/19	SERIES	MATERIAL NUMBER	CUSTOMER		
▽ = 0	0 PLACES ±	±	ANGULAR TOL ≠ 0.5	DRAWING SIZE	THIRD ANGLE PROJECTION	43810	SEE CHART	GENERAL MARKET	
⊠ = 0	DRAFT WHERE APPLICABLE MUST REMAIN WITHIN DIMENSIONS		D			DOCUMENT NUMBER	DOC TYPE	DOC PART	SHEET NUMBER
■ = 0					SD-43810-011		PSD	000	1 OF 2
▽ = 0									

MATERIAL NO.	CIRCUIT SIZE	CLIP OPTION	DIM. "A"	DIM. "B"	DIM. "C"	FINISH
43810-0001	4	YES	18.81 .740	4.20 .165	16.60 .653	1
43810-0002	6	YES	23.01 .906	8.40 .331	20.80 .819	1
43810-0003	8	YES	27.21 1.071	12.60 .496	25.00 .984	1
43810-0004	10	YES	31.41 1.237	16.80 .661	29.20 1.150	1
43810-0005	12	YES	35.61 1.402	21.00 .828	33.40 1.315	1
43810-0006	14	YES	39.81 1.567	25.20 .992	37.60 1.480	1
43810-0007	16	YES	44.01 1.733	29.40 1.157	41.80 1.646	1
43810-0008	18	YES	48.21 1.898	33.60 1.323	46.00 1.811	1
43810-0009	20	YES	52.41 2.063	37.80 1.488	50.20 1.976	1
43810-0010	22	YES	56.61 2.229	42.00 1.654	54.40 2.142	1
43810-0011	24	YES	60.81 2.394	46.20 1.819	58.60 2.307	1
43810-0012	4	YES	18.81 .740	4.20 .165	16.60 .653	2
43810-0013	6	YES	23.01 .906	8.40 .331	20.80 .819	2
43810-0014	8	YES	27.21 1.071	12.60 .496	25.00 .984	2
43810-0015	10	YES	31.41 1.237	16.80 .661	29.20 1.150	2
43810-0016	12	YES	35.61 1.402	21.00 .828	33.40 1.315	2
43810-0017	14	YES	39.81 1.567	25.20 .992	37.60 1.480	2
43810-0018	16	YES	44.01 1.733	29.40 1.157	41.80 1.646	2
43810-0019	18	YES	48.21 1.898	33.60 1.323	46.00 1.811	2
43810-0020	20	YES	52.41 2.063	37.80 1.488	50.20 1.976	2
43810-0021	22	YES	56.61 2.229	42.00 1.654	54.40 2.142	2
43810-0022	24	YES	60.81 2.394	46.20 1.819	58.60 2.307	2

N = NOT TOOLED

MATERIAL NO.	CIRCUIT SIZE	CLIP OPTION	DIM. "A"	DIM. "B"	DIM. "C"	FINISH
43810-0199	4	NO	18.81 .740	4.20 .165	16.60 .653	1
43810-0200	6	NO	23.01 .906	8.40 .331	20.80 .819	1
43810-0201	8	NO	27.21 1.071	12.60 .496	25.00 .984	1
43810-0202	10	NO	31.41 1.237	16.80 .661	29.20 1.150	1
43810-0203	12	NO	35.61 1.402	21.00 .828	33.40 1.315	1
43810-0204	14	NO	39.81 1.567	25.20 .992	37.60 1.480	1
43810-0205	16	NO	44.01 1.733	29.40 1.157	41.80 1.646	1
43810-0206	18	NO	48.21 1.898	33.60 1.323	46.00 1.811	1
43810-0207	20	NO	52.41 2.063	37.80 1.488	50.20 1.976	1
43810-0208	22	NO	56.61 2.229	42.00 1.654	54.40 2.142	1
43810-0209	24	NO	60.81 2.394	46.20 1.819	58.60 2.307	1
43810-0210	4	NO	18.81 .740	4.20 .165	16.60 .653	2
43810-0211	6	NO	23.01 .906	8.40 .331	20.80 .819	2
43810-0212	8	NO	27.21 1.071	12.60 .496	25.00 .984	2
43810-0213	10	NO	31.41 1.237	16.80 .661	29.20 1.150	2
43810-0214	12	NO	35.61 1.402	21.00 .828	33.40 1.315	2
43810-0215	14	NO	39.81 1.567	25.20 .992	37.60 1.480	2
43810-0216	16	NO	44.01 1.733	29.40 1.157	41.80 1.646	2
43810-0217	18	NO	48.21 1.898	33.60 1.323	46.00 1.811	2
43810-0218	20	NO	52.41 2.063	37.80 1.488	50.20 1.976	2
43810-0219	22	NO	56.61 2.229	42.00 1.654	54.40 2.142	2
43810-0220	24	NO	60.81 2.394	46.20 1.819	58.60 2.307	2

N = NOT TOOLED

<b>QUALITY SYMBOLS</b> 	THIS DRAWING CONTAINS INFORMATION THAT IS PROPRIETARY TO MOLEX ELECTRONIC TECHNOLOGIES, LLC AND SHOULD NOT BE USED WITHOUT WRITTEN PERMISSION											
	GENERAL TOLERANCES (UNLESS SPECIFIED)				DIMENSION UNITS		SCALE					
	MM		INCH		MM/IN		1:1					
	4 PLACES ± ±				DRWN BY		DATE		<b>MINI-FIT JR BMI</b> <b>RIGHT ANGLE HEADER ASM. FOR 1.6/.063 THK. PCB</b>			
	3 PLACES ± ± 0.01				MANLAPAZ		1997/01/06					
	2 PLACES ± 0.25 ± 0.014				CHKD BY		DATE					
	1 PLACES ± 0.35 ±				BANDURA		1997/03/26		<b>PRODUCT CUSTOMER DRAWING</b>			
	0 PLACES ± ±				APPR BY		DATE					
	ANGULAR TOL ± 0.5				FSMITH		2012/01/19		SERIES: 43810    MATERIAL NUMBER: SEE CHART    CUSTOMER: GENERAL MARKET			
	DRAFT WHERE APPLICABLE MUST REMAIN WITHIN DIMENSIONS				DRAWING SIZE		THIRD ANGLE PROJECTION		DOCUMENT NUMBER: SD-43810-011    DOC TYPE: PSD    DOC PART: 000    SHEET NUMBER: 2 OF 2			
				D								