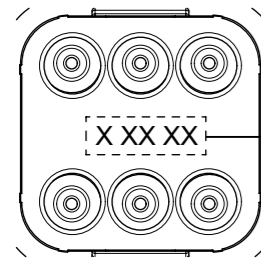
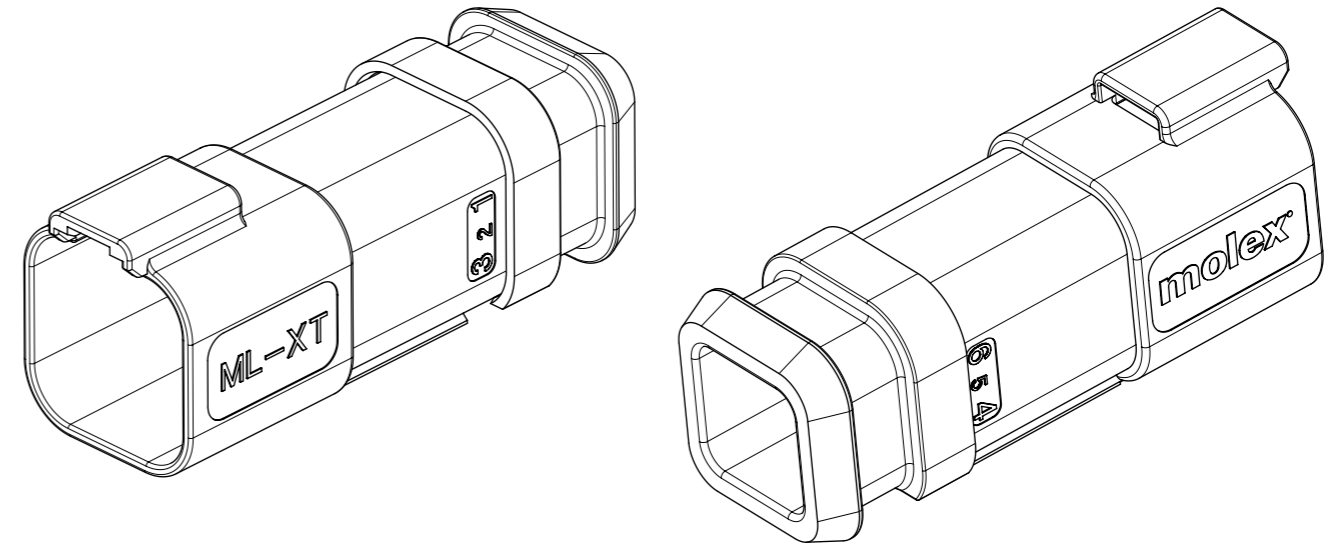
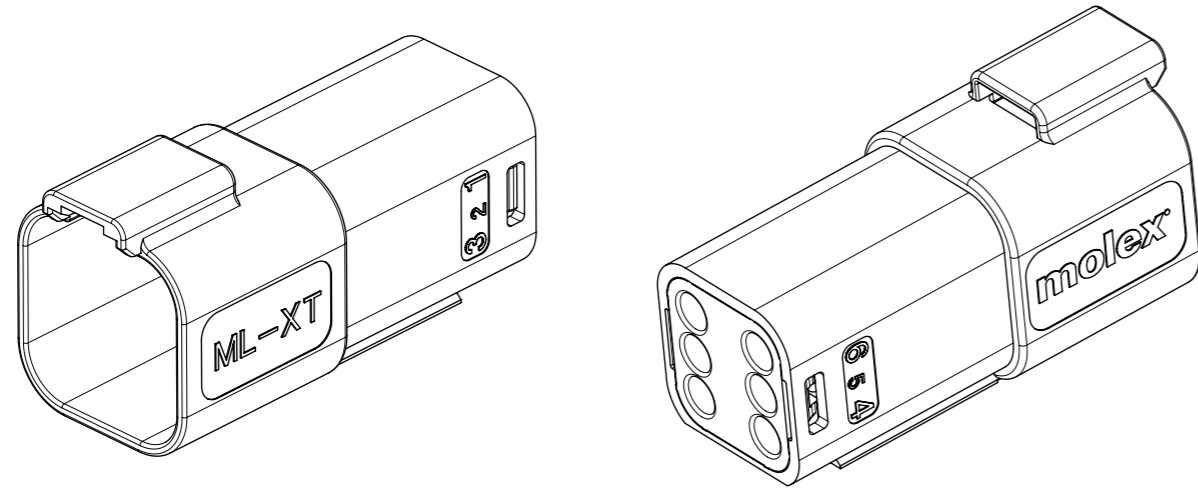


NOTES
 1. SEE SHEETS 2 TO 7 FOR ALL UNSPECIFIED NOTES, DIMENSIONS AND PART NUMBERS

THIS DRAWING CONTAINS INFORMATION THAT IS PROPRIETARY TO MOLEX ELECTRONIC TECHNOLOGIES, LLC AND SHOULD NOT BE USED WITHOUT WRITTEN PERMISSION											
QUALITY SYMBOLS ▽A = 0 ▽E = 0 ▽F = 0 ▼ = 0 ▽C = 0 ⊗ = 0 ■ = 0 ▽ = 0	PROPOSED EC NO: 102420 DRWN: JFLETCHER CHK'D: NDOWNDS APPR: JDWALLACE	GENERAL TOLERANCES (UNLESS SPECIFIED)		DIMENSION UNITS	SCALE						
		ANGULAR TOL ± 2.0 °		MM	1.5:1						
		4 PLACES ±		DRWN BY	DATE						
		3 PLACES ±		JFLETCHER	2015/11/04	6CCT ML-XT CV CONNECTOR					
		2 PLACES ± 0.1		CHK'D BY	DATE						
		1 PLACE ± 0.2		FDUGGAN	2015/12/07						
		0 PLACES ±		APPR BY	DATE	PRODUCT CUSTOMER DRAWING					
		DRAFT WHERE APPLICABLE MUST REMAIN WITHIN DIMENSIONS		JDWALLACE	2015/12/08						
				DRAWING SIZE	THIRD ANGLE PROJECTION						
				A3		SERIES	MATERIAL NUMBER	CUSTOMER		93443 SEE CHART GENERAL MARKET	
		A1		93443	SEE CHART	GENERAL MARKET					
		REV		DOCUMENT NUMBER		DOC TYPE	DOC PART	SHEET NUMBER			
				934430040		PSD	000	1 OF 7			

6CCT RECEPTACLE CONNECTOR

6CCT RECEPTACLE CONNECTOR WITH HEATSHRINK HOUSING ULTRASONICALLY WELDED IN PLACE

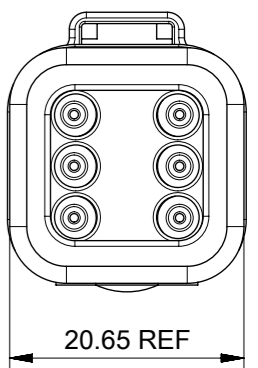
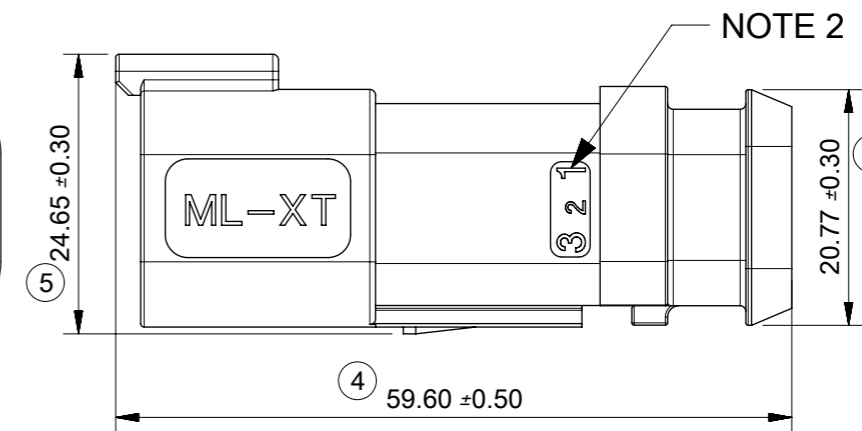
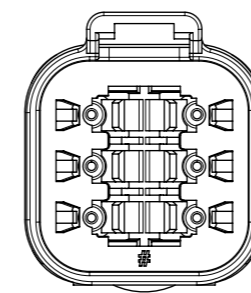
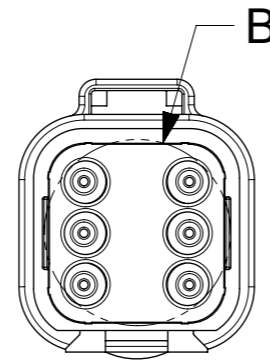
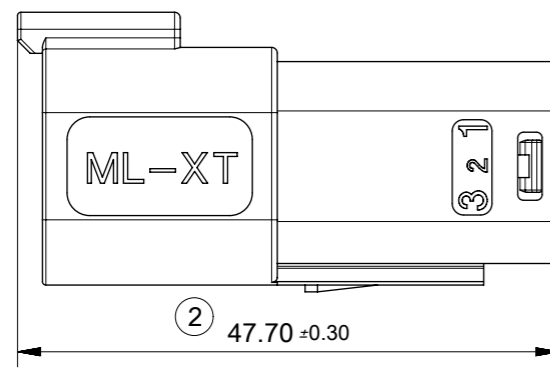
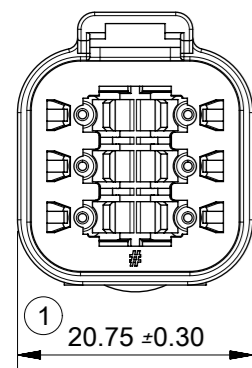


DATE CODE: X XX XX
 X — DAY: 1 - 7

X — WEEK: 01 - 52
 X — YEAR: 00 - 99

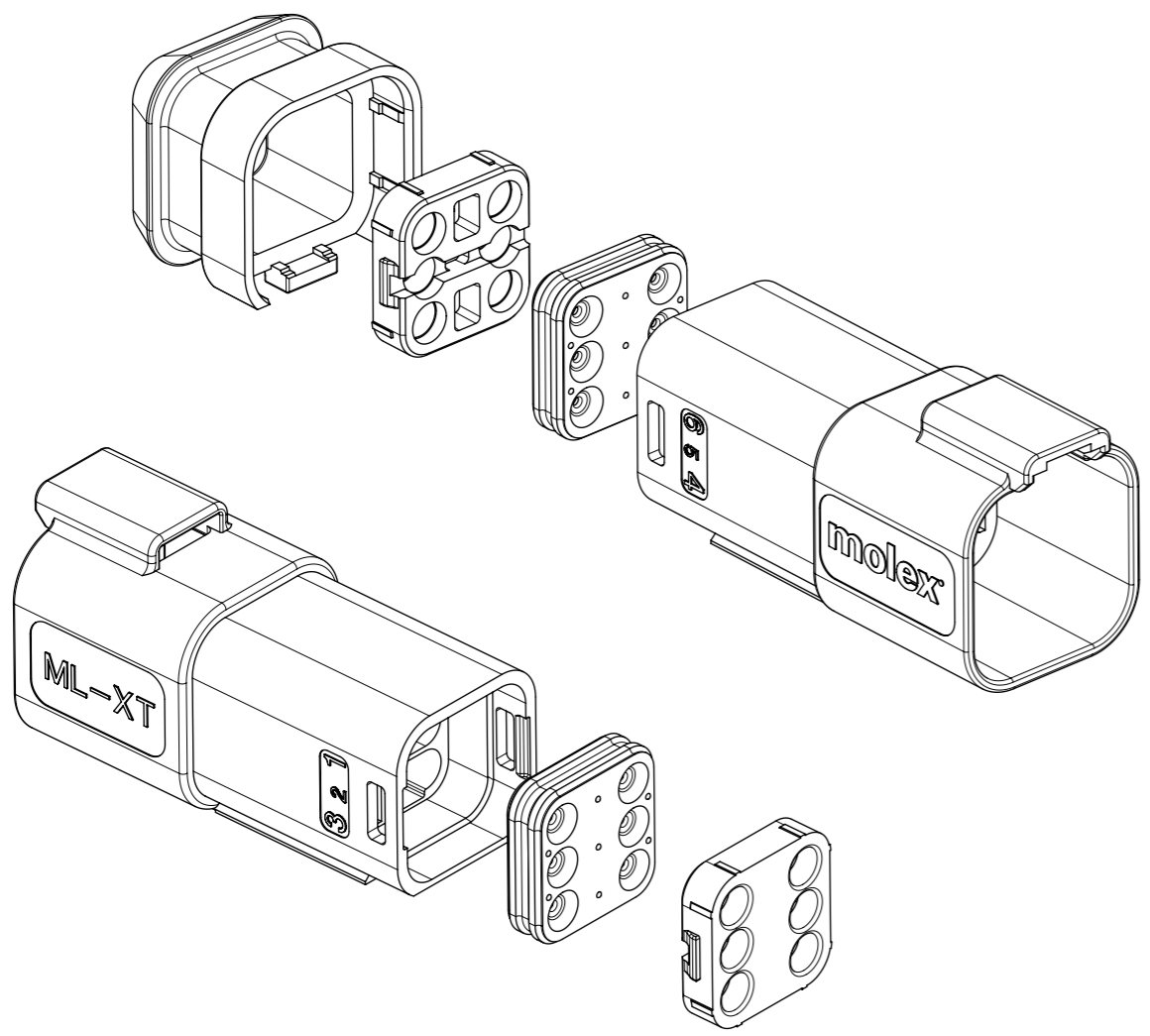
EXAMPLE: 11315 = DAY 1, WEEK 13, YEAR 15
 i.e. 23rd OF MARCH 2015

DETAIL B
 SCALE 2:1



1. MATERIAL
 HOUSING: NYLON 30%GF
 BACK SEAL: HIGH CONSISTENCY RUBBER
 2. CIRCUIT IDENTIFICATION
 3. JACKET RANGE LARGE = Ø2.7MM TO 3.6MM (SEAL COLOUR: LIGHT BLUE)
 JACKET RANGE SMALL = Ø1.4MM TO 2.7MM (SEAL COLOUR: BURNT ORANGE)
 4. SEE SHEET 3 FOR FINAL PART NUMBER
 5. SEE 934430010 PS P FOR PRODUCT SPECIFICATION
 6. SEE 934430002 PS K OR 934430010 PS K FOR PACKAGING SPECIFICATION
- INSPECTION NUMBERS 1 - 50 RESERVED FOR SHEET 2
 LAST INSPECTION NO. 5

THIS DRAWING CONTAINS INFORMATION THAT IS PROPRIETARY TO MOLEX ELECTRONIC TECHNOLOGIES, LLC AND SHOULD NOT BE USED WITHOUT WRITTEN PERMISSION									
QUALITY SYMBOLS	2016/01/07 2016/01/11 2016/01/14 PROPOSED EC NO: 102420 DRWN: JFLETCHER CHK'D: NDOWDS APPR: JDWALLACE	GENERAL TOLERANCES (UNLESS SPECIFIED)		DIMENSION UNITS	SCALE				
		ANGULAR TOL ± 2.0 °		MM	1.5:1				
▽A = 0	EC NO: 102420 DRWN: JFLETCHER CHK'D: NDOWDS APPR: JDWALLACE A1	4 PLACES ±	DRWN BY	DATE	6CCT ML-XT CV CONNECTOR				
▽E = 0		3 PLACES ±	JFLETCHER	2015/11/04					
▽F = 0		2 PLACES ± 0.1	CHK'D BY	DATE	PRODUCT CUSTOMER DRAWING				
▼ = 0		1 PLACE ± 0.2	FDUGGAN	2015/12/07					
▽C = 0		0 PLACES ±	APPR BY	DATE	SERIES: 93443 MATERIAL NUMBER: SEE CHART CUSTOMER: GENERAL MARKET				
⊠ = 0		DRAFT WHERE APPLICABLE MUST REMAIN WITHIN DIMENSIONS	JDWALLACE	2015/12/08					
■ = 0		DRAWING SIZE	THIRD ANGLE PROJECTION	DOCUMENT NUMBER: 934430040 DOC TYPE: PSD DOC PART: 000 SHEET NUMBER: 2 OF 7					
▽ = 0		A3							



6CCT RECEPTACLE CONNECTOR

93444 4 - --

SERIES No. _____

CIRCUIT SIZE
4 = 6CCT

ASSEMBLY OPTIONS:

- 1 = RECEP ASSEMBLY FOR WIRE JACKET RANGE: Ø1.4mm-2.7mm (NOTE 2)
- 2 = RECEP ASSEMBLY FOR WIRE JACKET RANGE: Ø2.7mm-3.6mm (NOTE 2)
- 5 = RECEP ASSEMBLY & HEATSHRINK FOR WIRE JACKET RANGE: Ø1.4mm-2.7mm
- 6 = RECEP ASSEMBLY & HEATSHRINK FOR WIRE JACKET RANGE: Ø2.7mm-3.6mm

COLOUR

- 01=BLACK 06=WHITE
- 02=GREY 07=BROWN
- 03=GREEN 08=ORANGE
- 04=BLUE 09=RED
- 05=YELLOW

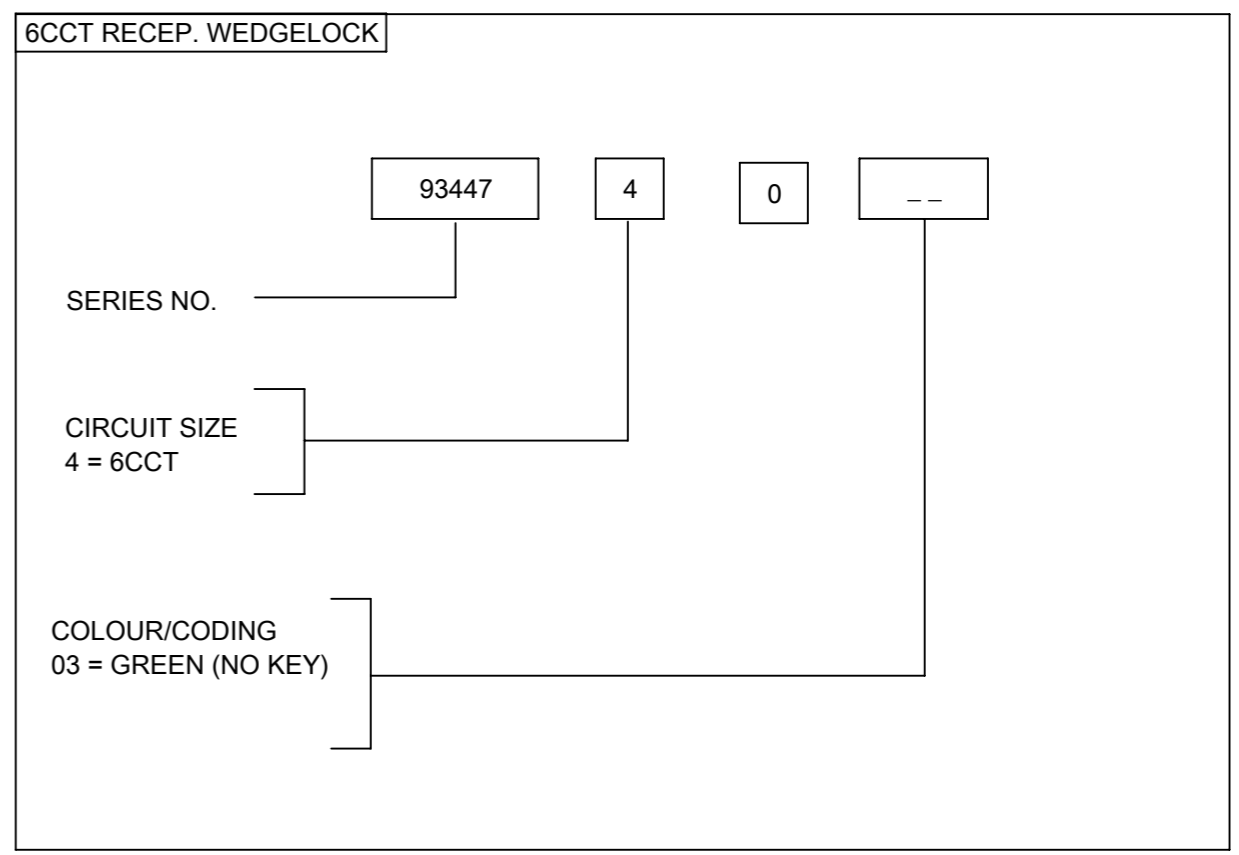
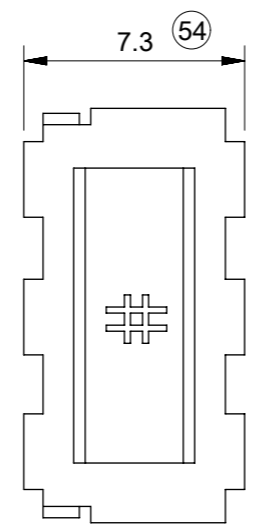
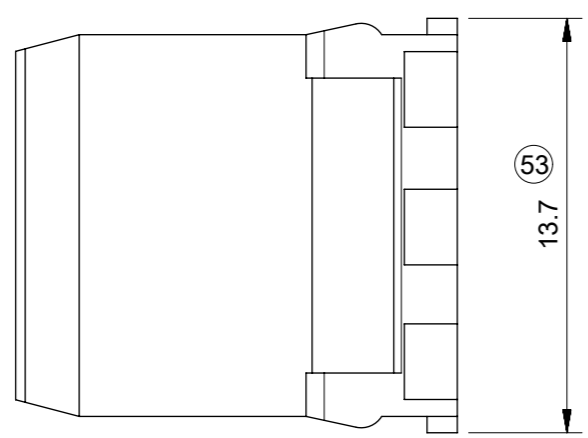
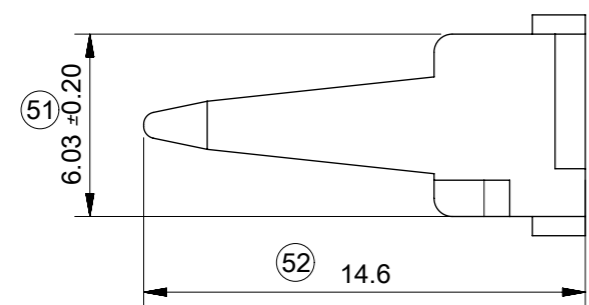
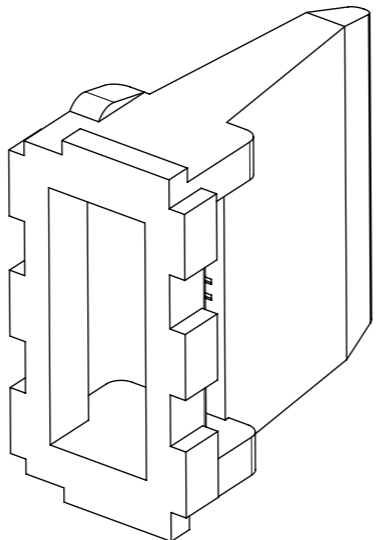
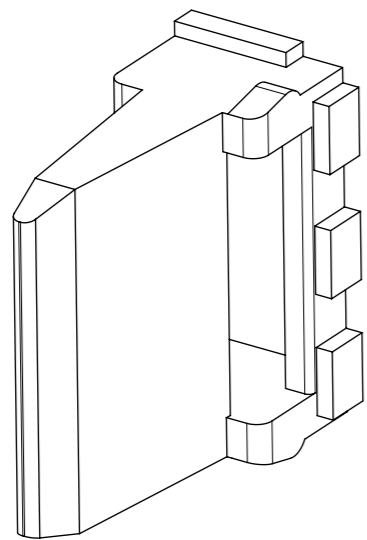
EXAMPLE:

6cct RECEP BLACK WITH LARGE SEAL AND HEATSHRINK = 93444-4601

NOTES

1. SEE SHEET 2 FOR UNSPECIFIED NOTES AND DIMENSIONS
2. BACK COVER HOUSING COLOUR BLACK
3. HEATSHRINK HOUSING COLOUR BLACK

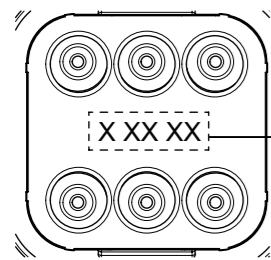
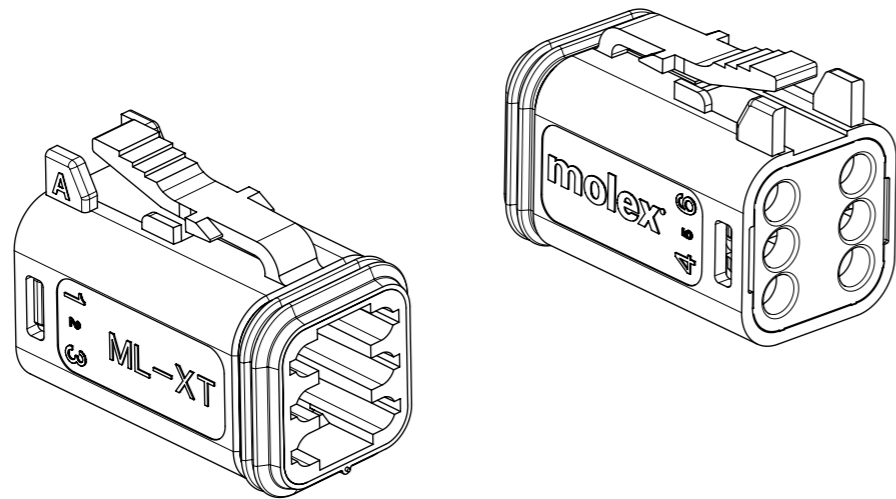
THIS DRAWING CONTAINS INFORMATION THAT IS PROPRIETARY TO MOLEX ELECTRONIC TECHNOLOGIES, LLC AND SHOULD NOT BE USED WITHOUT WRITTEN PERMISSION																										
QUALITY SYMBOLS	PROPOSED	EC NO: 102420	DRWN: JFLETCHER	CHK'D: NDOWNDS	2016/01/07	2016/01/11	2016/01/14	GENERAL TOLERANCES (UNLESS SPECIFIED)		DIMENSION UNITS	SCALE	molex														
								ANGULAR TOL ± 2.0 °		MM	1:1															
▽A = 0								4 PLACES ±	DRWN BY	DATE	6CCT ML-XT CV CONNECTOR															
▽E = 0							3 PLACES ±	JFLETCHER	2015/11/04																	
▽F = 0							2 PLACES ± 0.1	1 PLACE ± 0.2	CHK'D BY	DATE	PRODUCT CUSTOMER DRAWING															
▼ = 0							0 PLACES ±	FDUGGAN	2015/12/07																	
▽C = 0							DRAFT WHERE APPLICABLE MUST REMAIN WITHIN DIMENSIONS	APPR BY	DATE	<table border="1" style="width: 100%; border-collapse: collapse;"> <tr> <td>SERIES</td> <td>MATERIAL NUMBER</td> <td>CUSTOMER</td> </tr> <tr> <td>93443</td> <td>SEE CHART</td> <td>GENERAL MARKET</td> </tr> <tr> <td>DOCUMENT NUMBER</td> <td>DOC TYPE</td> <td>DOC PART</td> <td>SHEET NUMBER</td> </tr> <tr> <td>934430040</td> <td>PSD</td> <td>000</td> <td>3 OF 7</td> </tr> </table>			SERIES	MATERIAL NUMBER	CUSTOMER	93443	SEE CHART	GENERAL MARKET	DOCUMENT NUMBER	DOC TYPE	DOC PART	SHEET NUMBER	934430040	PSD	000	3 OF 7
SERIES	MATERIAL NUMBER	CUSTOMER																								
93443	SEE CHART	GENERAL MARKET																								
DOCUMENT NUMBER	DOC TYPE	DOC PART	SHEET NUMBER																							
934430040	PSD	000	3 OF 7																							
⊗ = 0								DRAWING SIZE	THIRD ANGLE PROJECTION																	
■ = 0								A3																		
▽ = 0																										



NOTES
 1. MATERIAL
 HOUSING: NYLON 30%GF
 INSPECTION No's 51-100 RESERVED FOR SHEET 4
 LAST INSPECTION No. 54

THIS DRAWING CONTAINS INFORMATION THAT IS PROPRIETARY TO MOLEX ELECTRONIC TECHNOLOGIES, LLC AND SHOULD NOT BE USED WITHOUT WRITTEN PERMISSION																	
QUALITY SYMBOLS		PROPOSED			GENERAL TOLERANCES (UNLESS SPECIFIED)		DIMENSION UNITS		SCALE		molex						
▽A	= 0	2016/01/07	2016/01/11	2016/01/14	ANGULAR TOL ± 2.0 °		MM		4:1								
▽E	= 0	EC NO: 102420 DRWN: JFLETCHER CHK'D: NDOWNDS APP'R: JDWALLACE	A1		4 PLACES ±		DRWN BY		DATE		6CCT ML-XT CV CONNECTOR						
▽F	= 0				3 PLACES ±		JFLETCHER		2015/11/04								
▽B	= 0				2 PLACES ± 0.1		CHK'D BY		DATE								
▽	= 0				1 PLACE ± 0.2		FDUGGAN		2015/12/07								
▽C	= 0				0 PLACES ±		APP'R BY		DATE		PRODUCT CUSTOMER DRAWING						
▽D	= 0	DRAFT WHERE APPLICABLE MUST REMAIN WITHIN DIMENSIONS		JDWALLACE		2015/12/08		SERIES		MATERIAL NUMBER		CUSTOMER					
▽	= 0			A3		THIRD ANGLE PROJECTION		93443		SEE CHART		GENERAL MARKET					
								DRAWING SIZE		DOCUMENT NUMBER		DOC TYPE		DOC PART		SHEET NUMBER	
								A3		934430040		PSD		000		4 OF 7	

6CCT PLUG CONNECTOR

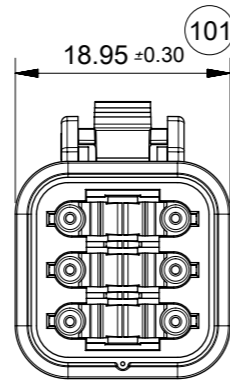
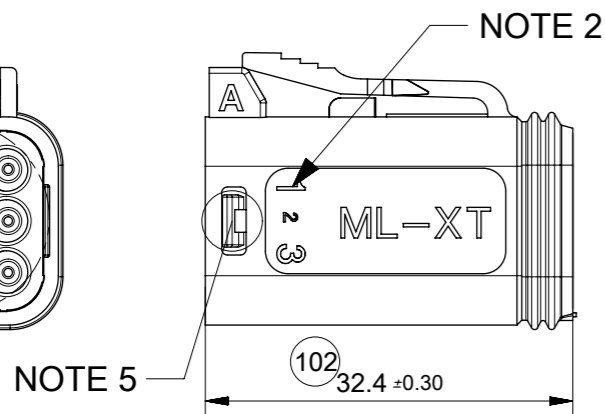
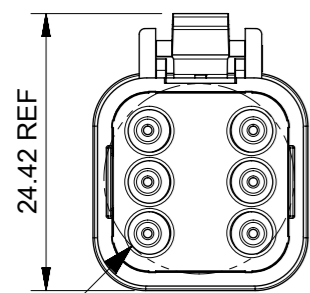


DETAIL C
SCALE 2:1

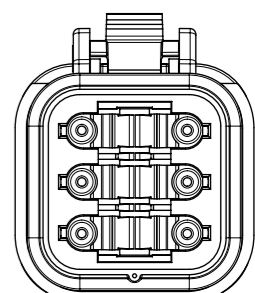
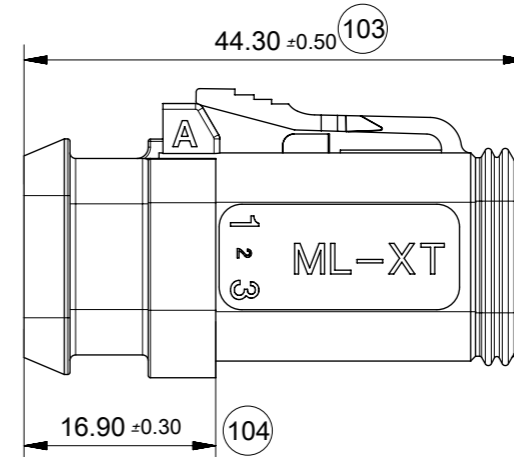
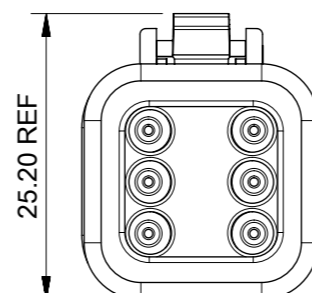
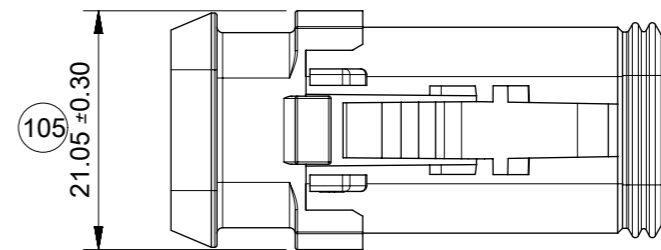
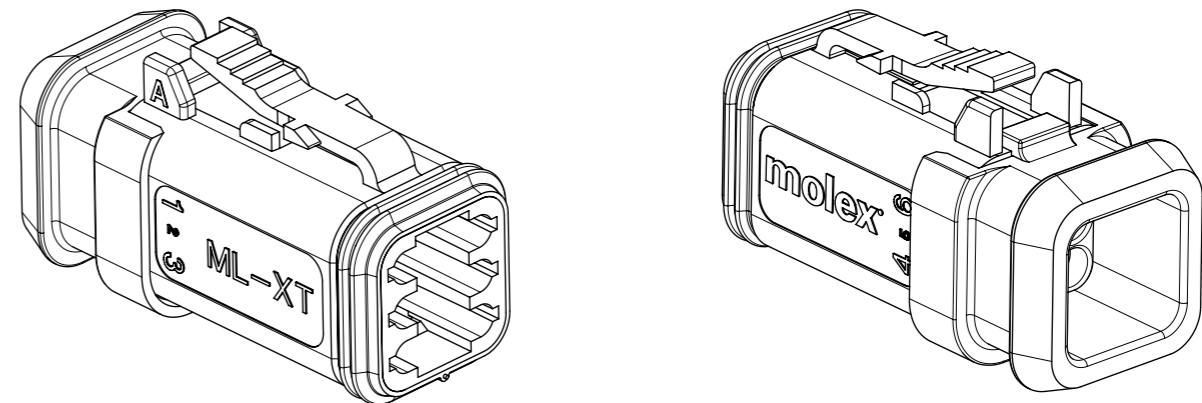
DATE CODE: X XX XX
X — DAY: 1- 7

X — WEEK: 01 - 52
X — YEAR: 00 - 99

EXAMPLE: 11315 = DAY 1, WEEK 13, YEAR 15
i.e. 23rd OF MARCH 2015



6CCT PLUG CONNECTOR WITH HEATSHRINK HOUSING ULTRASONICALLY WELDED IN PLACE

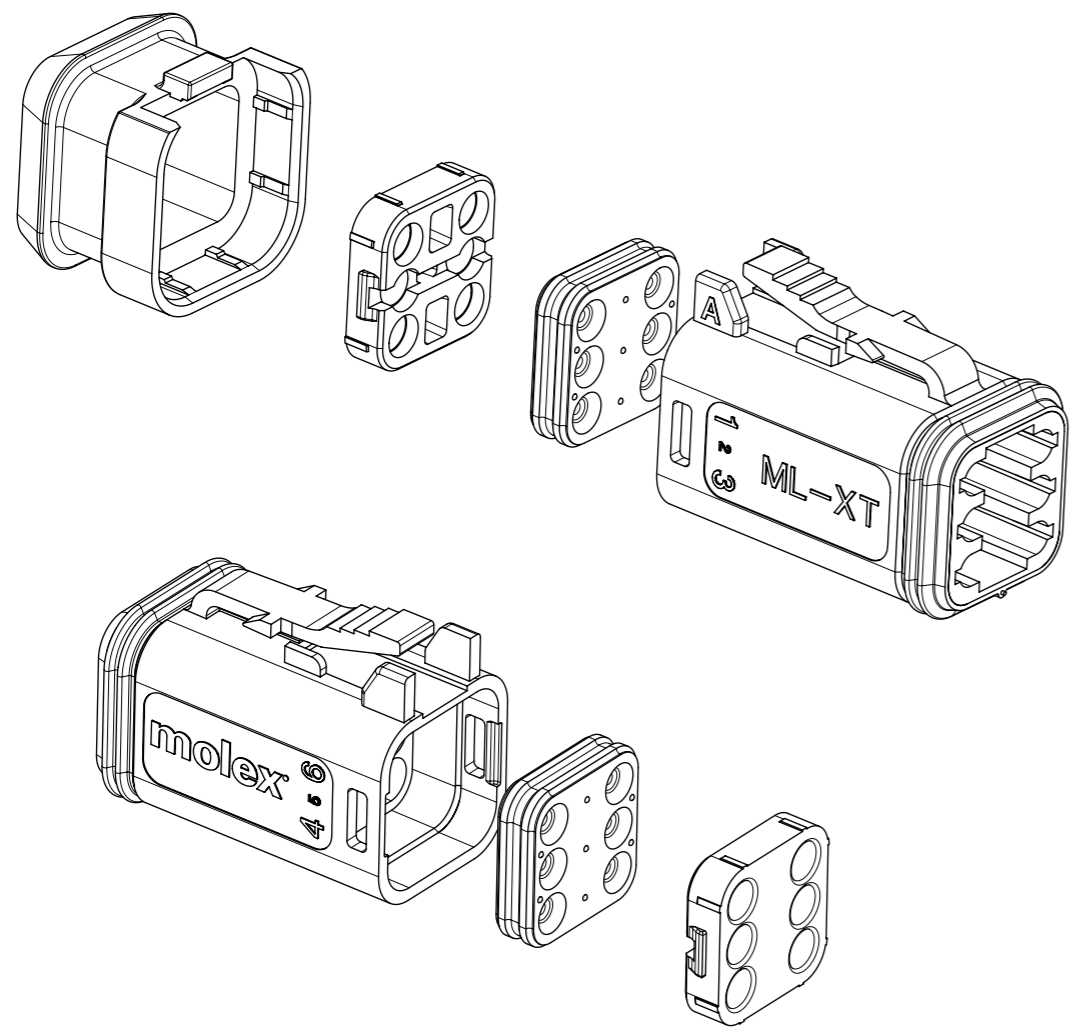


NOTES

- MATERIAL:
HOUSING: NYLON 30% GF
PLUG SEAL: SILICONE RUBBER
BACK SEAL: HIGH CONSISTENCY RUBBER
- CIRCUIT IDENTIFICATION
- JACKET RANGE LARGE = Ø2.7MM TO 3.6MM (SEAL COLOUR: LIGHT BLUE)
JACKET RANGE SMALL = Ø1.4MM TO 2.7MM (SEAL COLOUR: BURNT ORANGE)
- SEE SHEET 6 FOR FINAL PART NUMBER DESIGNATION
- LATCH TO BE FULLY ENGAGED IN WINDOW
INSPECTION NUMBERS 101-150 RESERVED FOR SHEET 5
LAST INSPECTION NUMBER 105

THIS DRAWING CONTAINS INFORMATION THAT IS PROPRIETARY TO MOLEX ELECTRONIC TECHNOLOGIES, LLC AND SHOULD NOT BE USED WITHOUT WRITTEN PERMISSION									
QUALITY SYMBOLS	A = 0 E = 0 F = 0 G = 0 H = 0 I = 0 J = 0 K = 0 L = 0 M = 0 N = 0 O = 0 P = 0 Q = 0 R = 0 S = 0 T = 0 U = 0 V = 0 W = 0 X = 0 Y = 0 Z = 0	2016/01/07 2016/01/11 2016/01/14 2016/01/14	GENERAL TOLERANCES (UNLESS SPECIFIED)		DIMENSION UNITS	SCALE			
			ANGULAR TOL ± 2.0 °		MM	1.5:1			
PROPOSED		EC NO: 102420 DRWN: JFLETCHER CHK'D: NDOWDS APPR: JDWALLACE	4 PLACES ±	JFLETCHER	DATE	6CCT ML-XT CV CONNECTOR			
A1			3 PLACES ±	FDUGGAN	2015/11/04				
		EC NO: 102420 DRWN: JFLETCHER CHK'D: NDOWDS APPR: JDWALLACE	2 PLACES ± 0.1	CHK'D BY	DATE	PRODUCT CUSTOMER DRAWING			
			1 PLACE ± 0.2	JDWALLACE	2015/12/07				
		EC NO: 102420 DRWN: JFLETCHER CHK'D: NDOWDS APPR: JDWALLACE	0 PLACES ±	APPR BY	DATE	SERIES	MATERIAL NUMBER	CUSTOMER	
			DRAFT WHERE APPLICABLE MUST REMAIN WITHIN DIMENSIONS	JDWALLACE	2015/12/08	93443	SEE CHART	GENERAL MARKET	
				DRAWING SIZE	THIRD ANGLE PROJECTION	DOCUMENT NUMBER	DOC TYPE	DOC PART	SHEET NUMBER
				A3		934430040	PSD	000	5 OF 7

9 8 7 6 5 4 3 2 1



6CCT PLUG CONNECTOR

93445 4 - --

SERIES No. _____

CIRCUIT SIZE
4 = 6CCT

ASSEMBLY OPTIONS:

- 1 = PLUG ASSEMBLY FOR WIRE JACKET RANGE: Ø1.4mm-2.7mm (NOTE 2)
- 2 = PLUG ASSEMBLY FOR WIRE JACKET RANGE: Ø2.7mm-3.6mm (NOTE 2)
- 5 = PLUG ASSEMBLY & HEATSHRINK FOR WIRE JACKET RANGE: Ø1.4mm-2.7mm
- 6 = PLUG ASSEMBLY & HEATSHRINK FOR WIRE JACKET RANGE: Ø2.7mm-3.6mm

COLOUR

- 01=BLACK
- 02=GREY 06=WHITE
- 03=GREEN 07=BROWN
- 04=BLUE 08=ORANGE
- 05=YELLOW 09=RED

EXAMPLE:

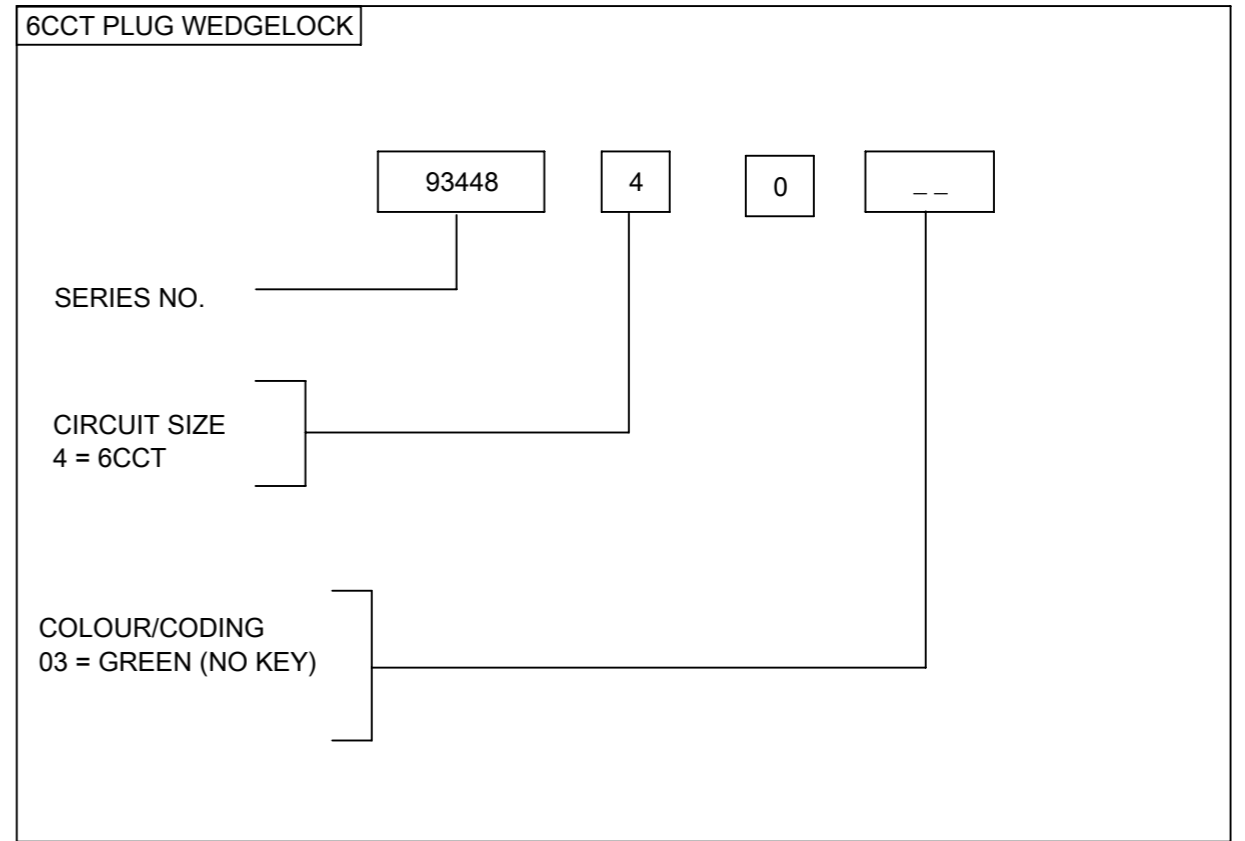
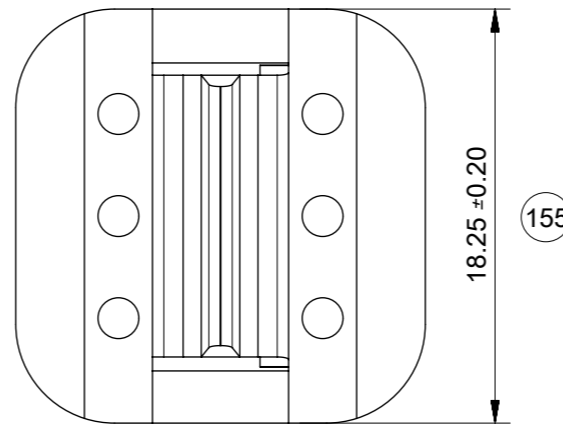
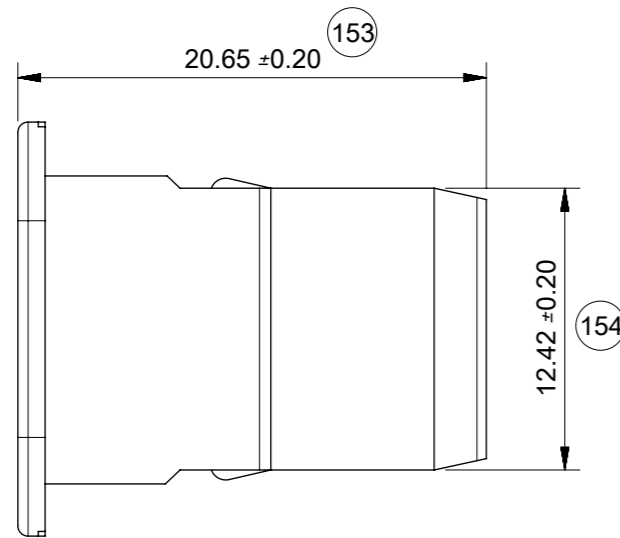
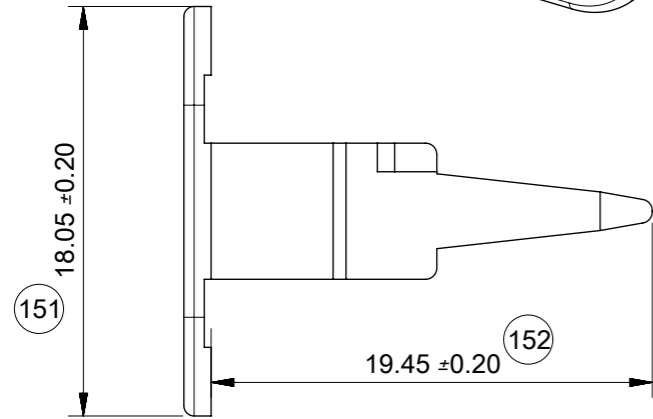
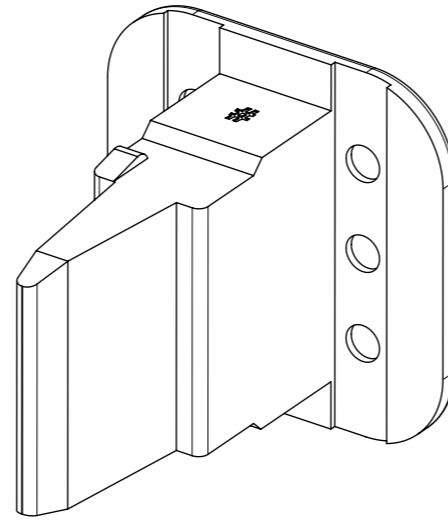
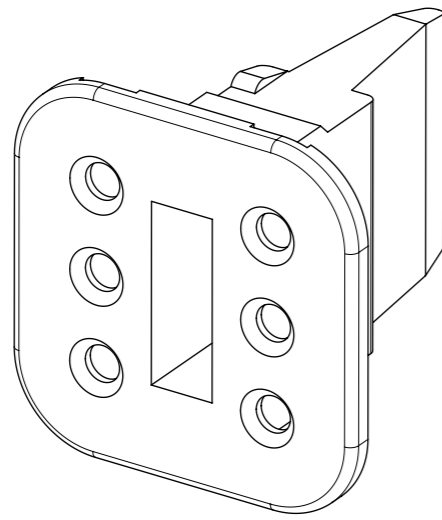
6cct PLUG BLACK WITH LARGE SEAL AND HEATSHRINK = 93444-4601

NOTES

- 1. SEE SHEET 5 FOR UNSPECIFIED NOTES AND DIMENSIONS
- 2. BACK COVER HOUSING COLOUR BLACK
- 3. HEATSHRINK HOUSING COLOUR BLACK

THIS DRAWING CONTAINS INFORMATION THAT IS PROPRIETARY TO MOLEX ELECTRONIC TECHNOLOGIES, LLC AND SHOULD NOT BE USED WITHOUT WRITTEN PERMISSION											
QUALITY SYMBOLS	A = 0 E = 0 EB = 0 ▼ = 0 C = 0 ⊗ = 0 ■ = 0 ▽ = 0	PROPOSED EC NO: 102420 DRWN: JFLETCHER CHK'D: NDOWNDS APPR: JDWALLACE	GENERAL TOLERANCES (UNLESS SPECIFIED)		DIMENSION UNITS	SCALE					
			ANGULAR TOL ± 2.0 °		MM	1:1					
			4 PLACES ±	JFLETCHER	DATE	6CCT ML-XT CV CONNECTOR					
			3 PLACES ±	2015/11/04							
			2 PLACES ± 0.1	CHK'D BY	DATE	PRODUCT CUSTOMER DRAWING					
			1 PLACE ± 0.2	FDUGGAN	2015/12/07						
			0 PLACES ±	APPR BY	DATE	SERIES: 93443 MATERIAL NUMBER: SEE CHART CUSTOMER: GENERAL MARKET					
			DRAFT WHERE APPLICABLE MUST REMAIN WITHIN DIMENSIONS	JDWALLACE	2015/12/08						
				DRAWING SIZE	THIRD ANGLE PROJECTION	DOCUMENT NUMBER: 934430040 DOC TYPE: PSD DOC PART: 000 SHEET NUMBER: 6 OF 7					
				A3							

9 8 7 6 5 4 3 2 1



NOTES

1. MATERIAL
 HOUSING: NYLON 30%GF
 INSPECTION No's 151-200 RESERVED FOR SHEET 7
 LAST INSPECTION No. 155

THIS DRAWING CONTAINS INFORMATION THAT IS PROPRIETARY TO MOLEX ELECTRONIC TECHNOLOGIES, LLC AND SHOULD NOT BE USED WITHOUT WRITTEN PERMISSION														
QUALITY SYMBOLS ▽A = 0 ▽E = 0 ▽F = 0 ▽ = 0 ▽ = 0 ▽ = 0 ▽ = 0 ▽ = 0 ▽ = 0		PROPOSED EC NO: 102420 DRWN: JFLETCHER CHK'D: NDOWNDS APPR: JDWALLACE			GENERAL TOLERANCES (UNLESS SPECIFIED) ANGULAR TOL ± 2.0 ° 4 PLACES ± 3 PLACES ± 2 PLACES ± 0.1 1 PLACE ± 0.2 0 PLACES ± DRAFT WHERE APPLICABLE MUST REMAIN WITHIN DIMENSIONS		DIMENSION UNITS: MM SCALE: 3:1					6CCT ML-XT CV CONNECTOR		
DRWN BY: JFLETCHER DATE: 2015/11/04		CHK'D BY: FDUGGAN DATE: 2015/12/07		APPR BY: JDWALLACE DATE: 2015/12/08		PRODUCT CUSTOMER DRAWING			SERIES: 93443 MATERIAL NUMBER: SEE CHART CUSTOMER: GENERAL MARKET					
A1		A3		DRAWING SIZE: A3 THIRD ANGLE PROJECTION			DOCUMENT NUMBER: 934430040 DOC TYPE: PSD DOC PART: 000 SHEET NUMBER: 7 OF 7							