

NUMBER OF PORTS	PART NUMBER	DIM X	DIM Y
2X1	170071101*	14.50	15.10
2X2	170071201*	28.75	29.35
2X4	170071401*	57.25	57.85
2X6	170071601*	85.75	86.35
2X8	170071801*	114.25	114.85
2X12	170071121*	171.25	171.85

*-DESIGNATES LIGHT PIPE CONFIGURATIONS, SEE SHEET 2

NOTES:

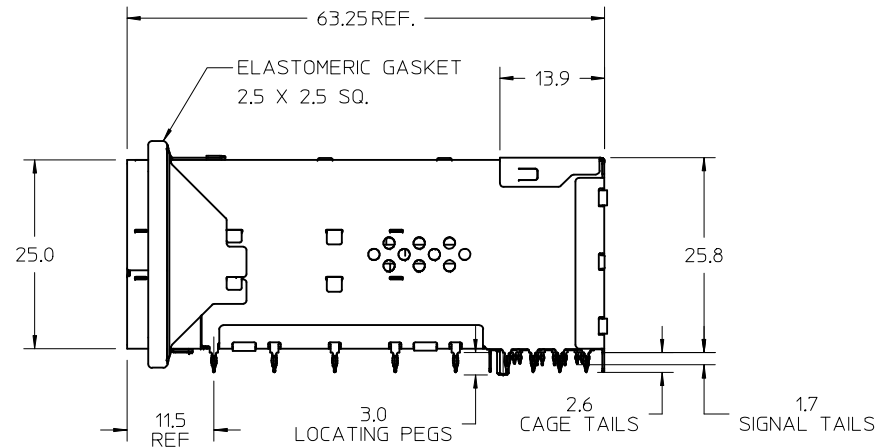
1. MATERIAL:

- CAGE: NICKEL SILVER
- CONNECTOR HOUSING: GLASS FILLED THERMOPLASTIC, UL: 94V-0, COLOR: BLACK
- LIGHT PIPES: POLYCARBONATE, 94 HB, COLOR: CLEAR
- TERMINALS: HIGH PERFORMANCE COPPER ALLOY
- FRONT SHIELD WALL: COPPER ALLOY
- LIGHT PIPE HOUSING: ZINC ALLOY
- ELASTOMERIC GASKET: SILVER IMPREGNATED SILICONE

2. FINISH

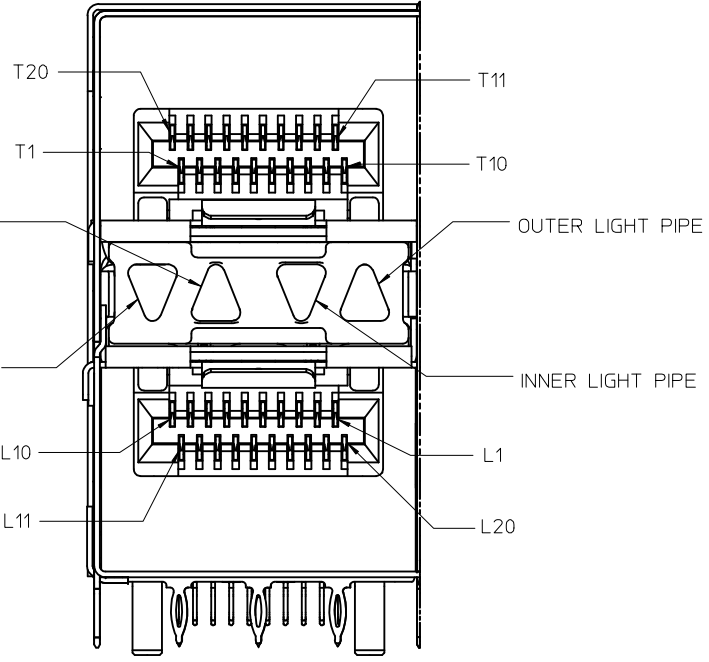
- TERMINALS: CONTACT AREA: 0.76 μ m MIN. HARD GOLD OVER 3.8 μ m MIN. NICKEL.
- COMPLIANT TAIL: 0.7-1.5 μ m MATTE TIN OVER 0.7-1.5 μ m NICKEL
- FRONT SHIELD WALL: 0.7-1.5 μ m NICKEL OVERALL
- LIGHT PIPE HOUSING: 2.0 μ m NICKEL OVER 0.7 μ m COPPER

- 3. 2X4 CONFIGURATION SHOWN FOR REFERENCE. SEE CHART FOR AVAILABLE OPTIONS
- 4. REFER TO PS-170071-0001 FOR ALL ELECTRICAL, MECHANICAL AND ENVIRONMENTAL SPECIFICATIONS.
- 5. REFER TO AS-170071-0001 FOR CONNECTOR MOUNTING AND REWORK INFORMATION.
- 6. REFER TO AS-170071-0002 FOR PCB ROUTING RECOMMENDATIONS.
- 7. ALL VISIBLE EXTERIOR SURFACES TO BE CLASS "B" (BOTTOM OF CONNECTOR IS CLASS "C") CAGE SURFACES TO CONFORM TO THE MOLEX COSMETIC DOC PS-45499-002.

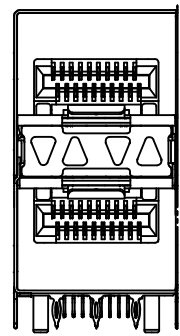


170071-40** SHOWN FOR REFERENCE
APPEARANCE MAY VARY WITH SIZE

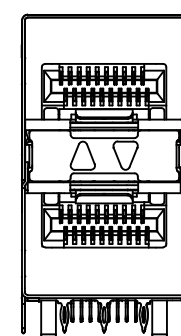
ADD SIDE VIEW NOTE EC NO: UCP2015-5220 DRWN: KACHLIC 2015/06/10 CHKD: MBANAKIS APPR: MBANAKIS 2015/06/17	QUALITY SYMBOLS ∇=0 ∇=0 ∇=0	GENERAL TOLERANCES (UNLESS SPECIFIED)		DIMENSION STYLE MM ONLY		SCALE 2:1	DESIGN UNITS METRIC	THIRD ANGLE PROJECTION		
		mm		INCH		DRAWN BY DATE JGONZALEZ01 2010/06/09		ZSFP+ STACKED ASSY WITH LIGHT PIPES AND ELASTOMERIC GASKET molex DOCUMENT NO. SD-170071-0002 SHEET NO. 1 OF 4		
		4 PLACES ±		±		CHECKED BY DATE JKACHLIC 2010/06/09				
		3 PLACES ±		±		APPROVED BY DATE MBANAKIS 2010/11/17				
2 PLACES ±		±		MATERIAL NO.						
1 PLACE ±		±		ANGULAR ±1/2°		DRAFT WHERE APPLICABLE MUST REMAIN WITHIN DIMENSIONS		SIZE C		



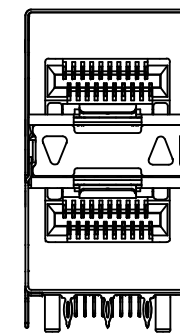
Partial4
SCALE 6:1



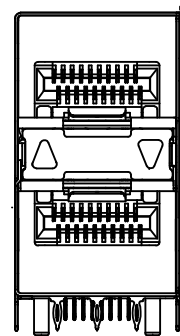
4 LIGHT PIPE
170071-**11



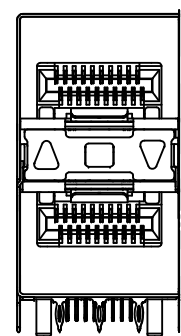
INNER LIGHT PIPE
170071-**12



OUTER DOWN/UP
170071-**13



OUTER UP/DOWN
170071-**14

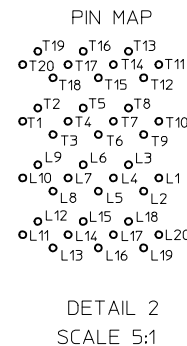
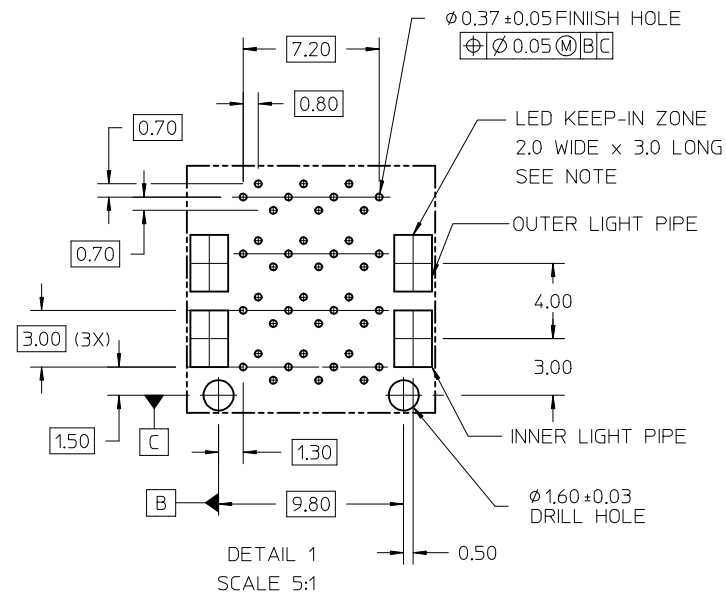
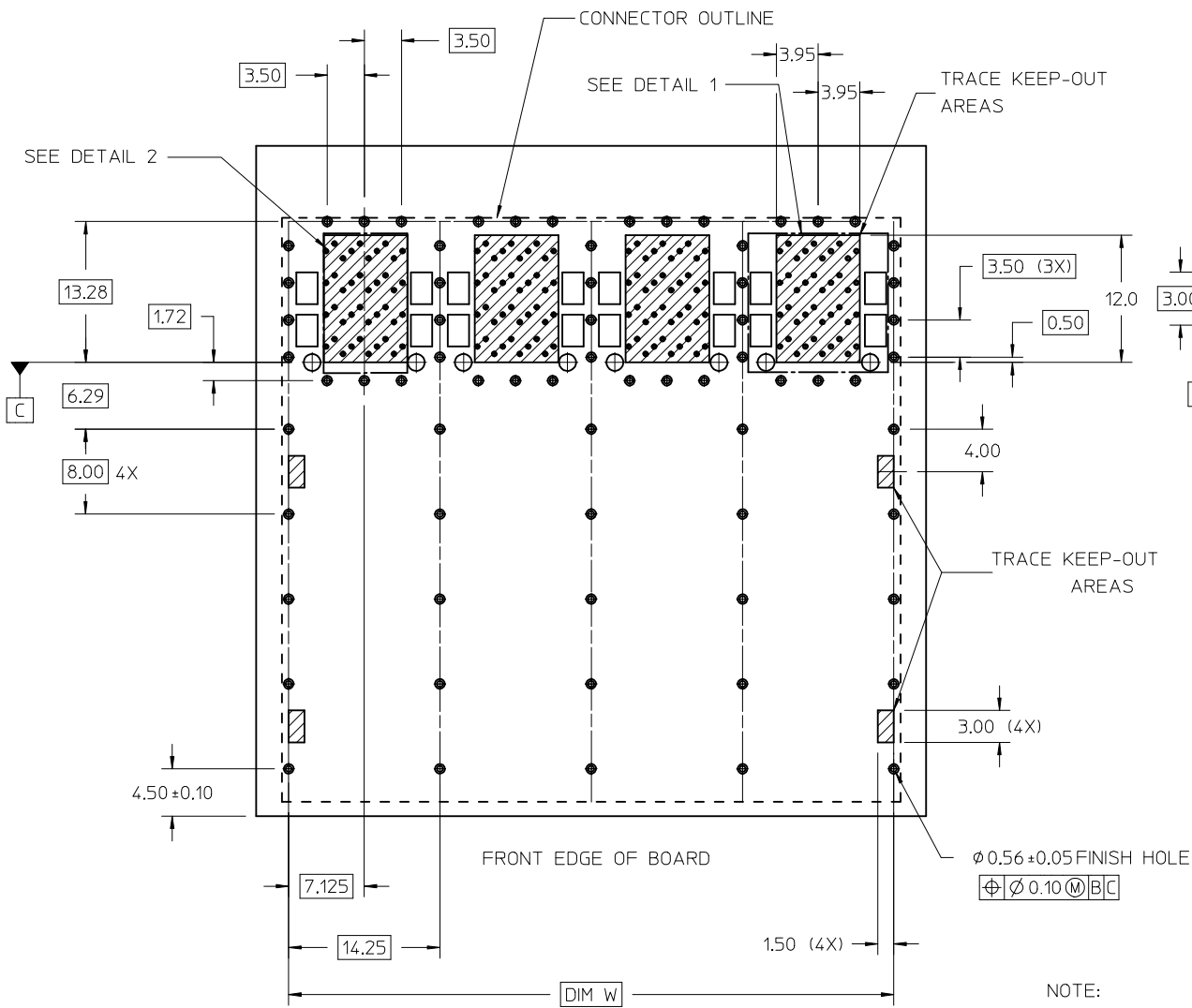


3 LIGHT PIPE
UP / MIDDLE / DOWN
170071-**15

PART NUMBER	DESCRIPTION
170071-**11	4 LIGHT PIPES
170071-**12	INNER 2 PORTS
170071-**13	OUTER DOWN/UP
170071-**14	OUTER UP/DOWN
170071-**15	3 LIGHT PIPES

** - DESIGNATES PORT SIZE

SEE SHEET 1 EC NO: UCP2015-5220 DRWN: KACHLIC 2015/06/10 CHKD: APPR: MBANAKIS 2015/06/17	QUALITY SYMBOLS ▽=0 ▽=0 ▽=0	GENERAL TOLERANCES (UNLESS SPECIFIED) <table border="1"> <tr> <th></th> <th>mm</th> <th>INCH</th> </tr> <tr> <td>4 PLACES</td> <td>± ---</td> <td>± ---</td> </tr> <tr> <td>3 PLACES</td> <td>± ---</td> <td>± ---</td> </tr> <tr> <td>2 PLACES</td> <td>± ---</td> <td>± ---</td> </tr> <tr> <td>1 PLACE</td> <td>± 0.25</td> <td>± ---</td> </tr> <tr> <td>0 PLACE</td> <td>±</td> <td>±</td> </tr> </table>		mm	INCH	4 PLACES	± ---	± ---	3 PLACES	± ---	± ---	2 PLACES	± ---	± ---	1 PLACE	± 0.25	± ---	0 PLACE	±	±	DIMENSION STYLE MM ONLY DRAWN BY: JGONZALEZ01 DATE: 2010/06/09 CHECKED BY: JKACHLIC DATE: 2010/06/09 APPROVED BY: MBANAKIS DATE: 2010/11/17	SCALE: 3:1 DESIGN UNITS: METRIC THIRD ANGLE PROJECTION	ZSFP+ STACKED ASSY WITH LIGHT PIPES AND ELASTOMERIC GASKET molex DOCUMENT NO. SD-170071-0002 SHEET NO. 2 OF 4
		mm	INCH																				
	4 PLACES	± ---	± ---																				
	3 PLACES	± ---	± ---																				
2 PLACES	± ---	± ---																					
1 PLACE	± 0.25	± ---																					
0 PLACE	±	±																					
DRAFT WHERE APPLICABLE MUST REMAIN WITHIN DIMENSIONS	ANGULAR ±1/2°	MATERIAL NO.	SIZE C																				
THIS DRAWING CONTAINS INFORMATION THAT IS PROPRIETARY TO MOLEX INCORPORATED AND SHOULD NOT BE USED WITHOUT WRITTEN PERMISSION																							
SEE CHART																							



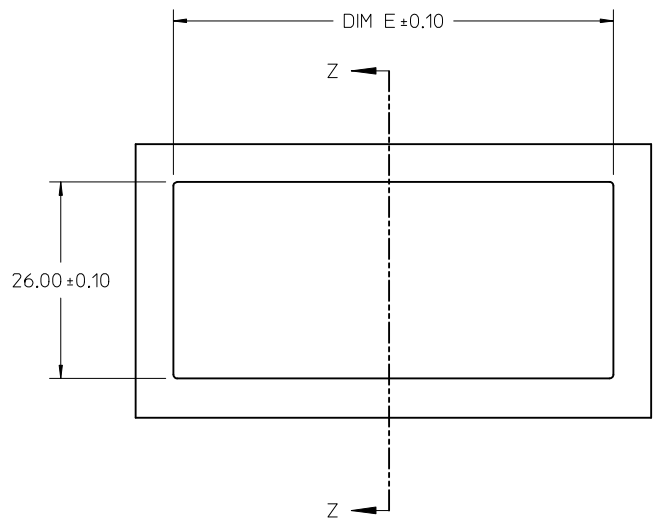
NOTE:
LED PACKAGE SIZE AND POSITION SHALL NOT VIOLATE THE KEEP IN ZONE.
LED PLACEMENT SHOULD BE CENTERED WITHIN THE ZONE FOR OPTIMAL
LIGHT TRANSMISSION BUT MAY BE SAFELY OFFSET ±0.50

PORT SIZE	DIM "W"	HOLE CHART		
		SIGNALS ($\varnothing 0.37$)	EMI CAGE ($\varnothing 0.56$)	LOCATING PEG ($\varnothing 1.60$)
2X1	14.25	40	24	2
2X2	28.50	80	39	4
2X4	57.00	160	69	8
2X6	85.50	240	99	12
2X8	114.00	320	129	16
2X12	171.00	480	189	24

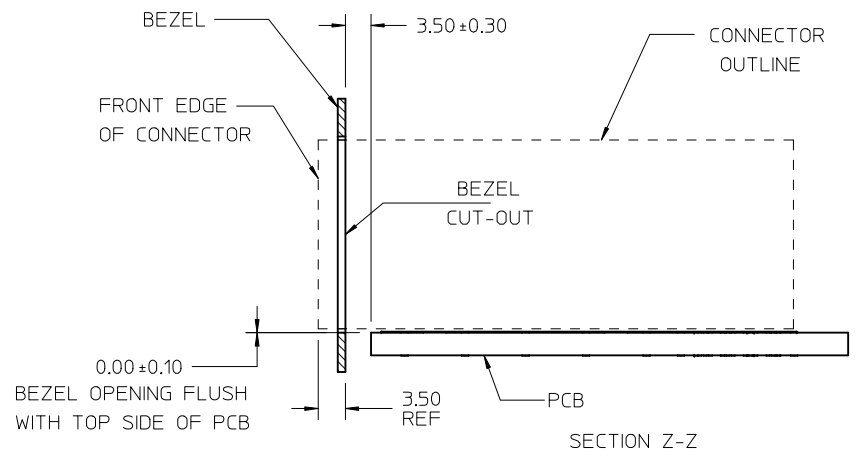
SEE SHEET 1 EC NO: UCP2015-5220 DRWN: JKACHLIC 2015/06/10 CHKD: APPR: MBANAKIS 2015/06/17	QUALITY SYMBOLS	GENERAL TOLERANCES (UNLESS SPECIFIED)	DIMENSION STYLE MM ONLY	SCALE 3:1	DESIGN UNITS METRIC	THIRD ANGLE PROJECTION
	$\nabla = 0$	4 PLACES ± --- ± ---	mm INCH	DRAWN BY JGONZALEZ01	DATE 2010/06/09	ZSFP+ STACKED ASSY WITH LIGHT PIPES AND ELASTOMERIC GASKET molex
	$\nabla = 0$	3 PLACES ± --- ± ---		CHECKED BY JKACHLIC	DATE 2010/06/09	
	$\nabla = 0$	2 PLACES ± --- ± ---		APPROVED BY MBANAKIS	DATE 2010/11/17	
$\nabla = 0$	1 PLACE ± 0.25 ± ---		MATERIAL NO. SEE CHART	DOCUMENT NO. SD-170071-0002		
		0 PLACE ± ±				SHEET NO. 3 OF 4
		ANGULAR ±1/2°				
		DRAFT WHERE APPLICABLE MUST REMAIN WITHIN DIMENSIONS				

THIS DRAWING CONTAINS INFORMATION THAT IS PROPRIETARY TO MOLEX INCORPORATED AND SHOULD NOT BE USED WITHOUT WRITTEN PERMISSION

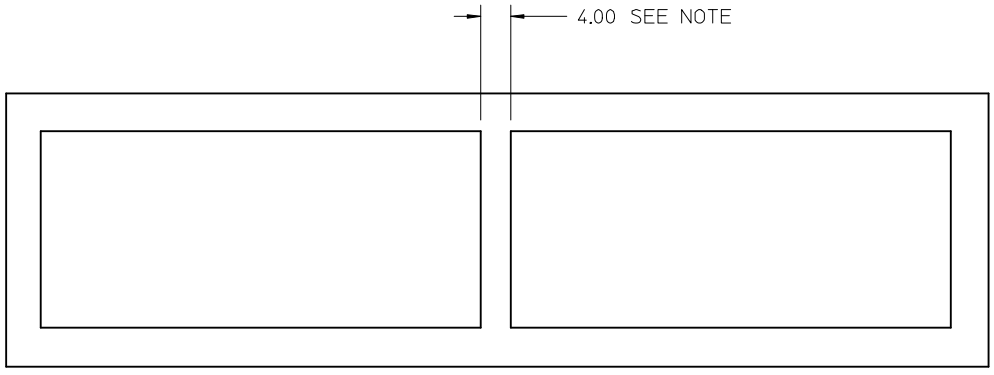
CONFIGURATION	DIM "E"
2X1	15.50
2X2	29.75
2X4	58.25
2X6	86.75
2X8	115.25
2X12	172.25



BEZEL CUT-OUT DETAIL
BEZEL THICKNESS 0.8-2.6



SECTION Z-Z



BEZEL CUT-OUT FOR
CONNECTOR STACKING

NOTE:
FOR SIDE BY SIDE STACKING OF CONNECTORS, A BASIC DIMENSION OF 5.25mm BETWEEN CONNECTOR MOUNTING PATTERNS IS RECOMMENDED.

SEE SHEET 1 EC NO: UCP2015-5220 DRWN:JKACHLIC 2015/06/10 CHKD: APPR:MBANAKIS 2015/06/17	QUALITY SYMBOLS	GENERAL TOLERANCES (UNLESS SPECIFIED)	DIMENSION STYLE MM ONLY	SCALE 2:1	DESIGN UNITS METRIC	THIRD ANGLE PROJECTION
	▽=0	mm INCH	DRAWN BY DATE JGONZALEZ01 2010/06/09	TITLE ZSFP+ STACKED ASSY WITH LIGHT PIPES AND ELASTOMERIC GASKET	molex	DOCUMENT NO. SD-170071-0002
	▽=0	4 PLACES ± --- ± ---	CHECKED BY DATE JKACHLIC 2010/06/09			
	▽=0	3 PLACES ± --- ± ---	APPROVED BY DATE MBANAKIS 2010/11/17			
	2 PLACES ± --- ± ---	MATERIAL NO.				
	1 PLACE ± 0.25 ± ---	0 PLACE ± ±	SIZE C	THIS DRAWING CONTAINS INFORMATION THAT IS PROPRIETARY TO MOLEX INCORPORATED AND SHOULD NOT BE USED WITHOUT WRITTEN PERMISSION	SHEET NO. 4 OF 4	
		ANGULAR ±1/2°	DRAFT WHERE APPLICABLE MUST REMAIN WITHIN DIMENSIONS			