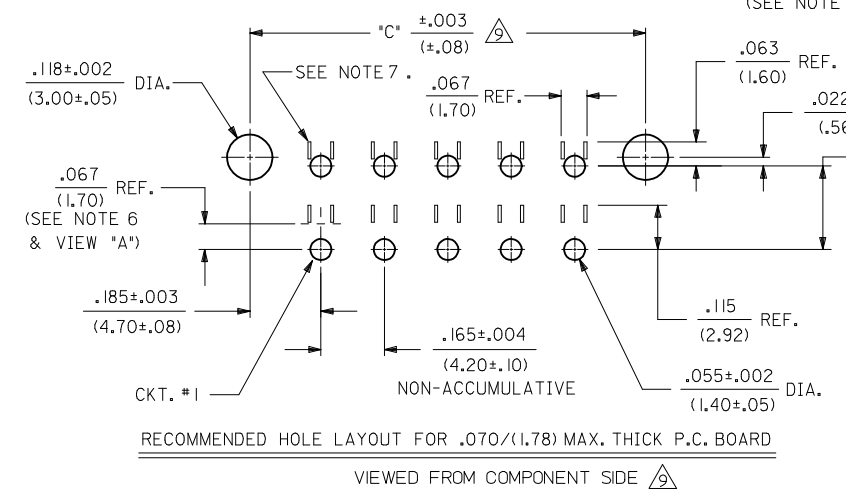


LEGEND:
 46010 - *** **
 BASE NUMBER
 CIRCUIT SIZE (02-24)
 HOUSING MATERIAL (SEE NOTE 1.)
 PLATING (SEE NOTE 2.)

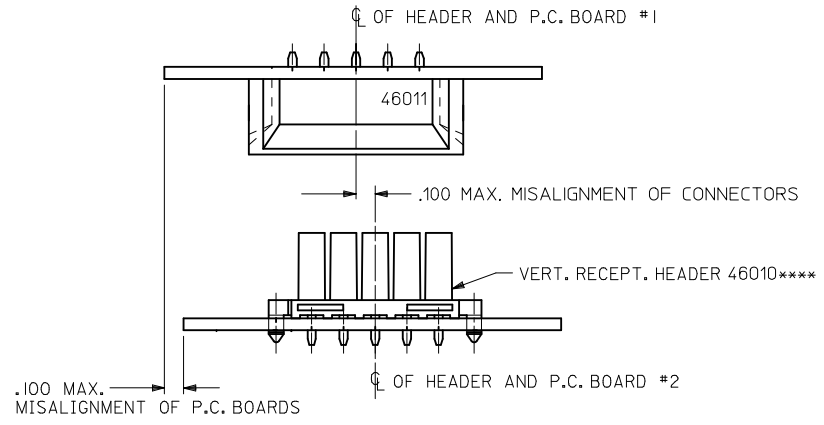
- NOTES:**
- MATERIAL:**
 HOUSING:
 1 = NYLON 6/6, UNFILLED U.L. 94V-2, COLOR: NATURAL.
 2 = NYLON 6/6, UNFILLED U.L. 94V-0, COLOR: NATURAL.
 TERMINAL: COPPER ALLOY
 - FINISH:**
 1 = .000100/(.00254) MIN. MATTE TIN OVER .000050/(.00127) MIN. NICKEL OVERALL.
 2 = .000030/(.00076) MIN. SELECT GOLD, .000100/(.00254) MIN. MATTE TIN OVER .000050/(.00127) MIN. NICKEL OVERALL.
 - PRODUCT SPECIFICATION:** PS-45750-001
 - PACKAGING SPECIFICATION:** PK-42385-999
 - PART MATES WITH MINI-FIT B.M.I. PLUG 42475 WITH 46012 TERMINALS, HEADER NO'S 42404, 43810, 44068 AND MINI-FIT PLUS H.C.S. VERTICAL HEADER 46011.**
 - DIMENSION TO BE USED FOR ALIGNMENT OF CKT. #1 OF MATING CONNECTOR.**
 - PHANTOM LINES INDICATE AREAS WHERE TERMINAL STANDOFFS CONTACT P.C. BOARD. NO EXPOSED TRACES OR VIAS ALLOWED NEAR THESE AREAS.**
 - .016/(.40) MAX. BOW PER INCH ALLOWABLE AT DATUM [-C-]**
 - IT IS RECOMMENDED TO USE THE 42475 SERIES MATING PART NUMBER WITHOUT TERMINALS TO AID IN PCB INSERTION. INSERT THE 46010 PART INTO THE 42475 PART AND THEN INSERT INTO THE PCB.**
 - CONNECTOR ASSEMBLIES ARE NOT TO BE MATED OR UNMATED WHILE CIRCUITS ARE LIVE.**
 - THIS PART CONFORMS TO CLASS B REQUIREMENT OF COSMETIC SPECIFICATION PS-45499-002.**
 - WHEN THIS PRODUCT IS USED IN A BLIND MATING APPLICATION, THE SYSTEM LEVEL DESIGN MUST INCORPORATE GUIDANCE SO THE CONNECTORS ARE WITHIN THE CAPTURE ENVELOPE (UP TO .100/(2.54) MISALIGNMENT) OF THE FLANGES ON THE HEADER OR PLUG HOUSING AND CAN THUS ALIGN THEMSELVES AS THEY COME TOGETHER. FLOAT IS ALSO REQUIRED IN THE OVERALL DESIGN, TO ALLOW THE PCB RECEPTACLE OR IT'S MATE TO MOVE INTO A STRESS-FREE POSITION AFTER MATING. IN BOARD TO BOARD APPLICATIONS, ONLY ONE HEADER IS ALLOWED PER P.C. BOARD**
 - PARTS NOT DESIGNED FOR CURRENT SHARING.**

CIRCUIT SIZE	DIM. "A"	DIM. "B"	DIM. "C"
2	—	.21 (5.4)	.370 (9.40)
4	.165 (4.20)	.38 (9.6)	.535 (13.60)
6	.331 (8.40)	.54 (13.8)	.701 (17.80)
8	.496 (12.60)	.71 (18.0)	.866 (22.00)
10	.661 (16.80)	.87 (22.2)	1.031 (26.20)
12	.827 (21.00)	1.04 (26.4)	1.197 (30.40)
14	.992 (25.20)	1.20 (30.6)	1.362 (34.60)
16	1.157 (29.40)	1.37 (34.8)	1.528 (38.80)
18	1.323 (33.60)	1.54 (39.0)	1.693 (43.00)
20	1.488 (37.80)	1.70 (43.2)	1.858 (47.20)
22	1.654 (42.00)	1.87 (47.4)	2.024 (51.40)
24	1.819 (46.20)	2.03 (51.6)	2.189 (55.60)

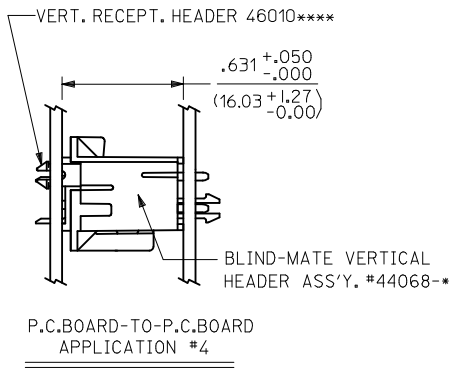
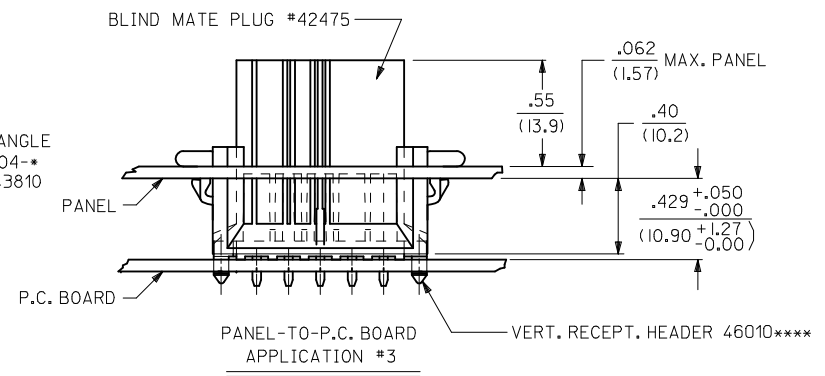
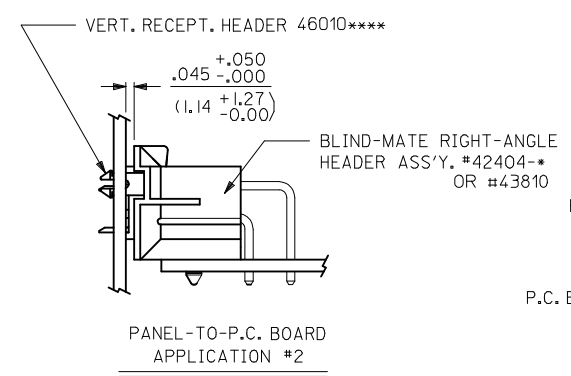
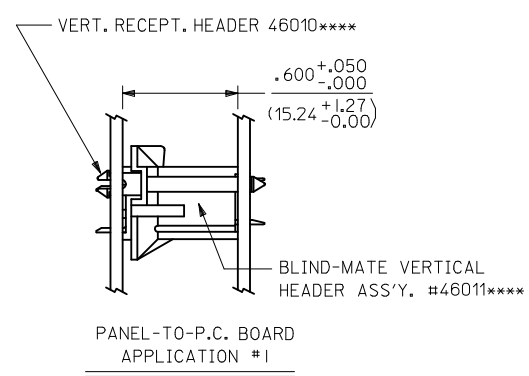


UPDATE PEGS EC NO: UCP2013-4225 DRAWN: NGUYEN CHKD: BELL APPR: FSNITH	2013/04/17 2013/04/17 2015/02/18	QUALITY SYMBOLS ▽=0 ▽=0 ▽=0
---	--	--------------------------------------

GENERAL TOLERANCES (UNLESS SPECIFIED)	DIMENSION STYLE IN/MM	SCALE 4:1	DESIGN UNITS METRIC	THIRD ANGLE PROJECTION
4 PLACES ± --- ± ---	DRAWN BY T.GREGORI DATE 2005/08/30	TITLE	DOCUMENT NO.	SHEET NO. 1 OF 3
3 PLACES ± --- ± .010	CHECKED BY JCOMERC I DATE			
2 PLACES ± 0.25 ± .015	APPROVED BY JCOMERC I DATE	VERTICAL RECEPTACLE HEADER ASSEMBLY, BMI MINI-FIT PLUS HCS SERIES		
1 PLACE ± 0.38 ± ---	MATERIAL NO.	molex		
0 PLACE ± ±	SEE SHEET 3	SD-46010-001		
ANGULAR ±1/2°	THIS DRAWING CONTAINS INFORMATION THAT IS PROPRIETARY TO MOLEX INCORPORATED AND SHOULD NOT BE USED WITHOUT WRITTEN PERMISSION			
DRAFT WHERE APPLICABLE MUST REMAIN WITHIN DIMENSIONS				



ALIGNMENT TOLERANCES FOR .100 MAX. BOARD-TO-BOARD MISALIGNMENT
(NO CONNECTOR FLOAT)



SEE SHEET 1 EC NO: UCP2013-4225 IDRWANGUYEN 2013/04/17 CHKD:JBELL 2013/04/17 APPR:FSMITH 2015/02/18 B3	QUALITY SYMBOLS ∇=0 ∇=0 ∇=0	GENERAL TOLERANCES (UNLESS SPECIFIED) mm INCH 4 PLACES ± --- ± --- 3 PLACES ± --- ± .010 2 PLACES ± 0.25 ± .015 1 PLACE ± 0.38 ± --- 0 PLACE ± ± ANGULAR ±1/2° DRAFT WHERE APPLICABLE MUST REMAIN WITHIN DIMENSIONS	DIMENSION STYLE IN/MM DRAWN BY DATE TGREGORI 2005/08/30 CHECKED BY DATE JCOMERC I APPROVED BY DATE JCOMERC I MATERIAL NO. SEE SHEET 3 SIZE C	SCALE 4:1 DESIGN UNITS METRIC THIRD ANGLE PROJECTION TITLE VERTICAL RECEPTACLE HEADER ASSEMBLY, BMI MINI-FIT PLUS HCS SERIES molex DOCUMENT NO. SD-46010-001 SHEET NO. 2 OF 3
	THIS DRAWING CONTAINS INFORMATION THAT IS PROPRIETARY TO MOLEX INCORPORATED AND SHOULD NOT BE USED WITHOUT WRITTEN PERMISSION			

13					12					11					10					9					8					7					6					5					4					3					2					1				
ITEM NUMBER					CKT. SIZE					HOUSING MATERIAL					PLATING (SEE NOTE 2)					ITEM NUMBER					CKT. SIZE					HOUSING MATERIAL					PLATING (SEE NOTE 2)																													
*	460100211	2	94V-2	I	*	460100221	2	94V-0	I	*	460102411	24	94V-2	I	*	460102421	24	94V-0	I	*	460100221	2	94V-0	I	*	460100212	2	94V-2	2	*	460102412	24	94V-2	2	*	460100221	2	94V-0	I	*	460100212	2	94V-2	2	*	460102421	24	94V-0	I	*	460102412	24	94V-2	2										
↑	0411	4			↑	0421	4			↑	0411	4			↑	0412	4			↑	0421	4			↑	0411	4			↑	0412	4			↑	0421	4			↑	0411	4			↑	0412	4																	
	0611	6				0621	6				0611	6				0612	6				0621	6				0611	6				0612	6				0621	6				0611	6				0612	6																	
*	0811	8			*	0821	8			*	0811	8			*	0812	8			*	0821	8			*	0811	8			*	0812	8			*	0821	8			*	0811	8			*	0812	8																	
	1011	10				1021	10				1011	10				1012	10				1021	10				1011	10				1012	10				1021	10				1011	10				1012	10																	
*	1211	12			*	1221	12			*	1211	12			*	1212	12			*	1221	12			*	1211	12			*	1212	12			*	1221	12			*	1211	12			*	1212	12																	
	1411	14				1421	14				1411	14				1412	14				1421	14				1411	14				1412	14				1421	14				1411	14				1412	14																	
	1611	16				1621	16				1611	16				1612	16				1621	16				1611	16				1612	16				1621	16				1611	16				1612	16																	
	1811	18				1821	18				1811	18				1812	18				1821	18				1811	18				1812	18				1821	18				1811	18				1812	18																	
*	2011	20			*	2021	20			*	2011	20			*	2012	20			*	2021	20			*	2011	20			*	2012	20			*	2021	20			*	2011	20			*	2012	20																	
*	2211	22			*	2221	22			*	2211	22			*	2212	22			*	2221	22			*	2211	22			*	2212	22			*	2221	22			*	2211	22			*	2212	22																	

*CONSULT FACTORY FOR AVAILABILITY

SEE SHEET 1 EC NO: UCP2013-4225 DRW: NGUYEN 2013/04/17 CHKD: BELL 2013/04/17 APPR: FSMITH 2015/02/18	QUALITY SYMBOLS 	GENERAL TOLERANCES (UNLESS SPECIFIED) <table border="1"> <tr> <td></td> <td>mm</td> <td>INCH</td> </tr> <tr> <td>4 PLACES</td> <td>± .005</td> <td>± .0005</td> </tr> <tr> <td>3 PLACES</td> <td>± .005</td> <td>± .010</td> </tr> <tr> <td>2 PLACES</td> <td>± 0.25</td> <td>± .015</td> </tr> <tr> <td>1 PLACE</td> <td>± 0.38</td> <td>± .020</td> </tr> <tr> <td>0 PLACE</td> <td>±</td> <td>±</td> </tr> </table>		mm	INCH	4 PLACES	± .005	± .0005	3 PLACES	± .005	± .010	2 PLACES	± 0.25	± .015	1 PLACE	± 0.38	± .020	0 PLACE	±	±	DIMENSION STYLE IN/MM DRAWN BY: TGREGORI DATE: 2005/08/30 CHECKED BY: JCOMERC I DATE: APPROVED BY: JCOMERC I DATE:	SCALE: METRIC DESIGN UNITS: METRIC THIRD ANGLE PROJECTION	TITLE: VERTICAL RECEPTACLE HEADER ASSEMBLY, BMI MINI-FIT PLUS HCS SERIES 	MATERIAL NO. SEE CHART DOCUMENT NO. SD-46010-001 SHEET NO. 3 OF 3
		mm	INCH																					
	4 PLACES	± .005	± .0005																					
	3 PLACES	± .005	± .010																					
2 PLACES	± 0.25	± .015																						
1 PLACE	± 0.38	± .020																						
0 PLACE	±	±																						
DRAFT WHERE APPLICABLE MUST REMAIN WITHIN DIMENSIONS		ANGULAR ±1/2°		THIS DRAWING CONTAINS INFORMATION THAT IS PROPRIETARY TO MOLEX INCORPORATED AND SHOULD NOT BE USED WITHOUT WRITTEN PERMISSION																				
SIZE C		SIZE C		SIZE C																				
B3		B3		B3																				