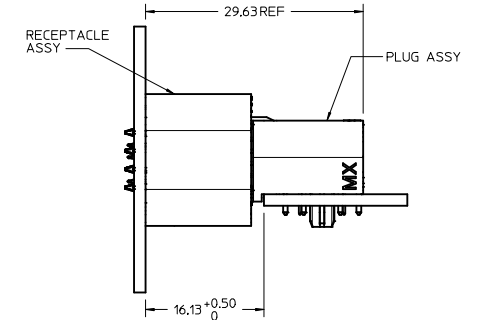
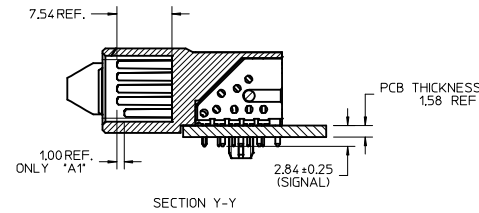
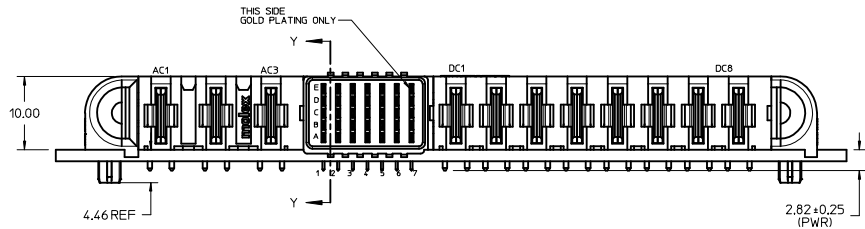
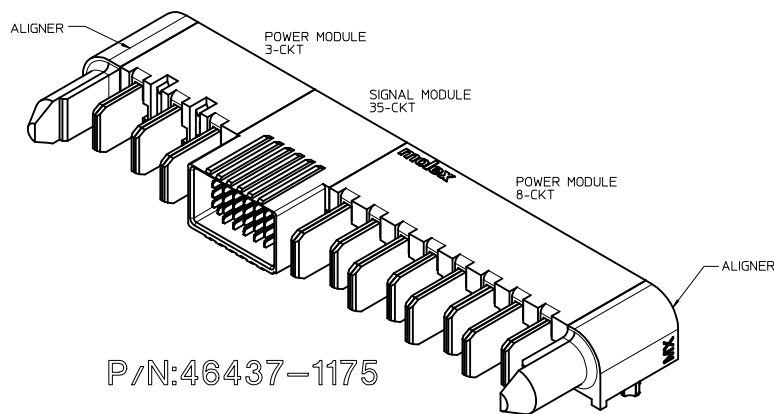


RECOMMENDED PCB LAYOUT AND KEEP-OUT ZONE



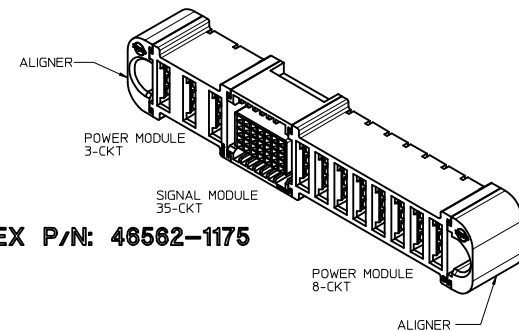
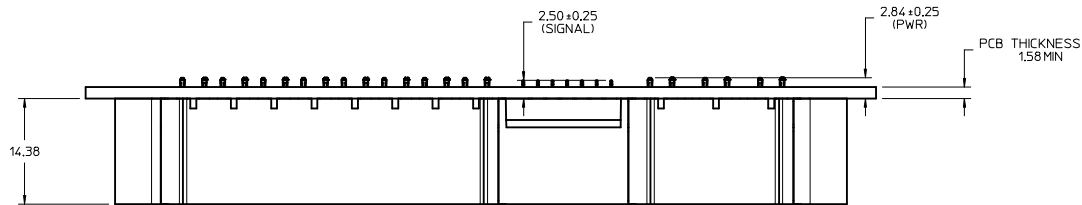
NOTES:

- MATERIAL:
 - HOUSINGS: LCP UL94 V-0; COLOR: BLACK.
 - TERMINALS: COPPER ALLOY.
 - PLATING: 0.000127 NICKEL OVERALL WITH 0.00254 SELECTIVE MATTE TIN ON COMPLIANT PINS. AND 0.000762 SELECTIVE GOLD ON CONTACT AREA.
- PACKAGING ASSEMBLIES TO BE TRAY PACKED, STD. QUANTITY: PK-46437-005
- PC BOARD REQUIRES THRU HOLES, REFER TO PS-46436-100 FOR DETAILS.
- PRODUCT SPEC.: PS-46436-100.
- APPLICATION SPEC.: AS-46436-100.
- SEE PRODUCT SPEC FOR MEET RoHS REQUIREMENTS.
- ASSEMBLY MATES WITH MOLEX PLUG ASSEMBLY, P/N 46562-1175.

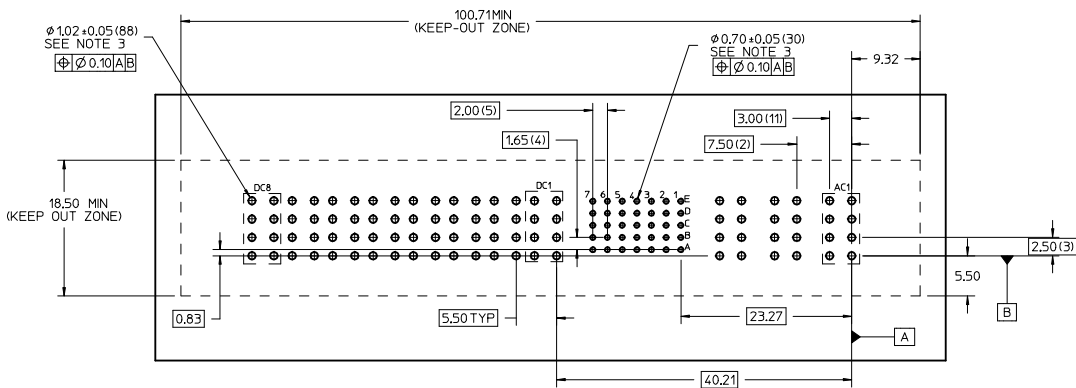
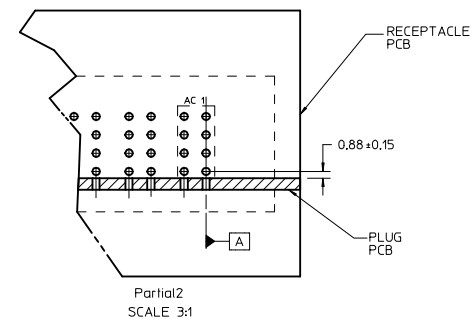
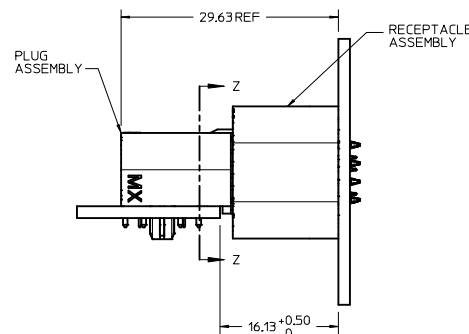
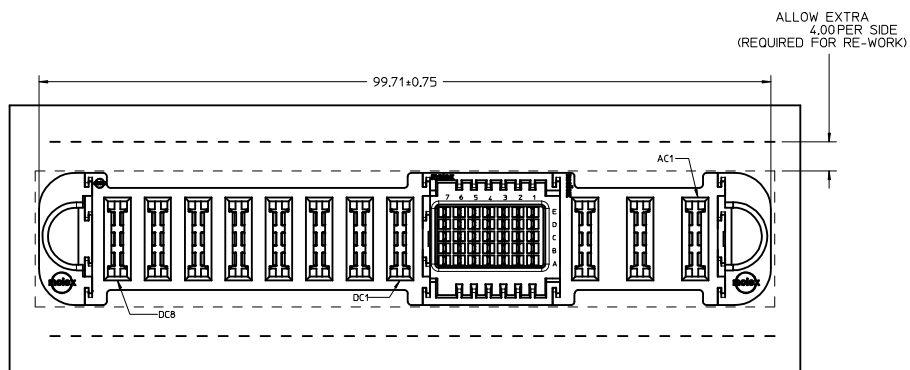


P/N:46437-1175

NEW 35-CKT MOD EC NO: UCP2011-1279 DRAWN BY: BKOSTIC CHKD: APPR:KPRASAD DATE: 2011/01/14 DATE: 2015/04/06	QUALITY SYMBOLS	GENERAL TOLERANCES (UNLESS SPECIFIED)	DIMENSION STYLE	SCALE	DESIGN UNITS	THIRD ANGLE PROJECTION
	▽=0	4 PLACES ± mm ± INCH	MM ONLY	3:1	METRIC	⊙
	▽=0	3 PLACES ± 0.25 ± 0.01				
	▽=0	1 PLACE ± 0.25 ± 0.01				
		ANGULAR ±1/2°				
		DRAFT WHERE APPLICABLE MUST REMAIN WITHIN DIMENSIONS	MATERIAL NO.	DOCUMENT NO.		
			46437-1175	SD-46437-1175		
			THIS DRAWING CONTAINS INFORMATION THAT IS PROPRIETARY TO MOLEX INCORPORATED AND SHOULD NOT BE USED WITHOUT WRITTEN PERMISSION			
			SIZE D			



MOLEX P/N: 46562-1175



RECOMMENDED PCB LAYOUT AND KEEP-OUT ZONE

NOTES:

- MATERIAL:
 - HOUSINGS: LCP UL94 V-0, COLOR: BLACK.
 - TERMINALS: COPPER ALLOY.
 - PLATING: 0.000127 SELECTIVE MATTE TIN ON COMPLIANT PINS. AND 0.000762 SELECTIVE MATTE GOLD ON CONTACT AREA.
- PACKAGING ASSEMBLIES TO BE TRAY PACKED. STD. QUANTITY: PK-46562-001
- PC BOARD REQUIRES THRU HOLES. REFER TO PS-46436-100 FOR DETAILS.
- PRODUCT SPEC: PS-46436-100.
- APPLICATION SPEC: AS-46436-100.
- SEE PRODUCT SPEC FOR MEET ROHS REQUIREMENTS.
- ASSEMBLY MATES WITH MOLEX PLUG ASSEMBLY. P/N 46437-1175.

35-CKT MOD ELEC NO: LCP2011-1279 DRAWN BY: TMPATIL CHKD BY: BKOSTIC APPR: KPRASAD DATE: 2015/04/06 DESCRIPTION:	QUALITY SYMBOLS	GENERAL TOLERANCES (UNLESS SPECIFIED)		DIMENSION STYLE		SCALE	DESIGN UNITS	THIRD ANGLE PROJECTION
	▽=0	mm	INCH	MM ONLY		3:1	METRIC	☉
	▽=0	4 PLACES ±---	±---	DRAWN BY	DATE	TITLE		
	▽=0	3 PLACES ±---	±---	DATE	2010/08/06	VERT RECEPTACLE ASSY		
	2 PLACES ±0.25	±---	DATE	2010/08/09	3AC-35HDS-8DC, PRESS-FIT			
	1 PLACE ±0.25	±---	DATE	2015/04/06	TEN60 POWER FAMILY			
	ANGULAR ±1/2°	MOLEX INCORPORATED						
	DRAFT WHERE APPLICABLE MUST REMAIN WITHIN DIMENSIONS		MATERIAL NO.		DOCUMENT NO.		SHEET NO.	
A1			46562-1175		SD-46562-1175		1 OF 1	
	THIS DRAWING CONTAINS INFORMATION THAT IS PROPRIETARY TO MOLEX INCORPORATED AND SHOULD NOT BE USED WITHOUT WRITTEN PERMISSION							