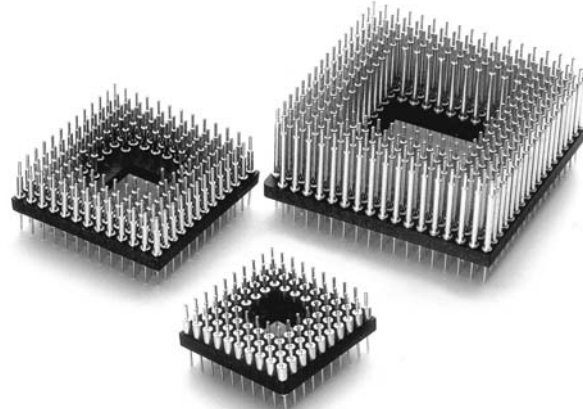
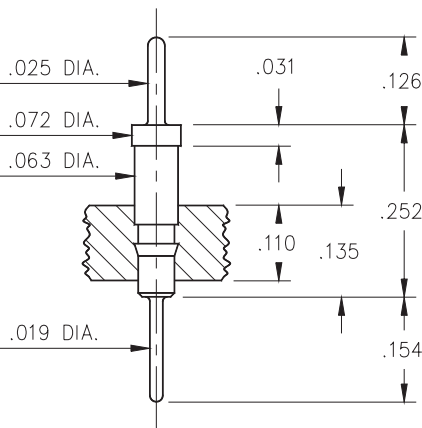


- Series 551 PGA Interconnect sockets are available in various lengths with .019" dia. pluggable solder tails at one end and .025" dia. pins at the other.*
- Hi-Temp PCT polyester insulator material suitable for all forms of soldering.

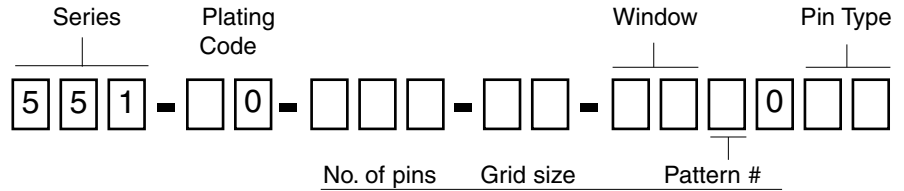


Ordering Information

HEADER PIN TYPE 03

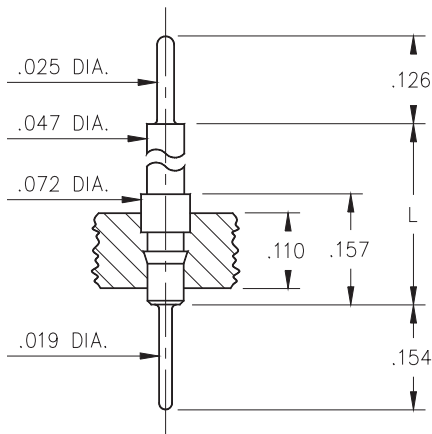


1. Select pin type for PGA header at left to determine 2-digit suffix designation, and enter under pin type.
2. Specify 2-digit plating code from chart at bottom of page.
3. Locate footprint pattern from pages 107 to 111, the middle 8 digits of the part number will be located under the pattern.



Determined from footprint pattern pages 107 to 111

HEADER PIN TYPE 04, 05



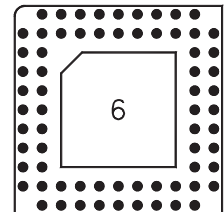
Pin Type

04	For L = .331"
05	For L = .606"

EXAMPLE OF COMPLETE PART NUMBER:

551-10-068-11-061004

This is a 68 pin (11x11 grid) insulator with a .6" square window and fitted with 551...004 header pins. Pins are gold plated.



*Many other printed circuit pins are available for use in addition to those listed above. See pages 170 to 173. Consult Mill-Max Applications Engineers to develop a part number for your specific requirement.



SPECIFY PLATING CODE XX=	10◇	90	40◇	
Pin Plating	10μ" Au	200μ" Sn/Pb	200μ" Sn	