

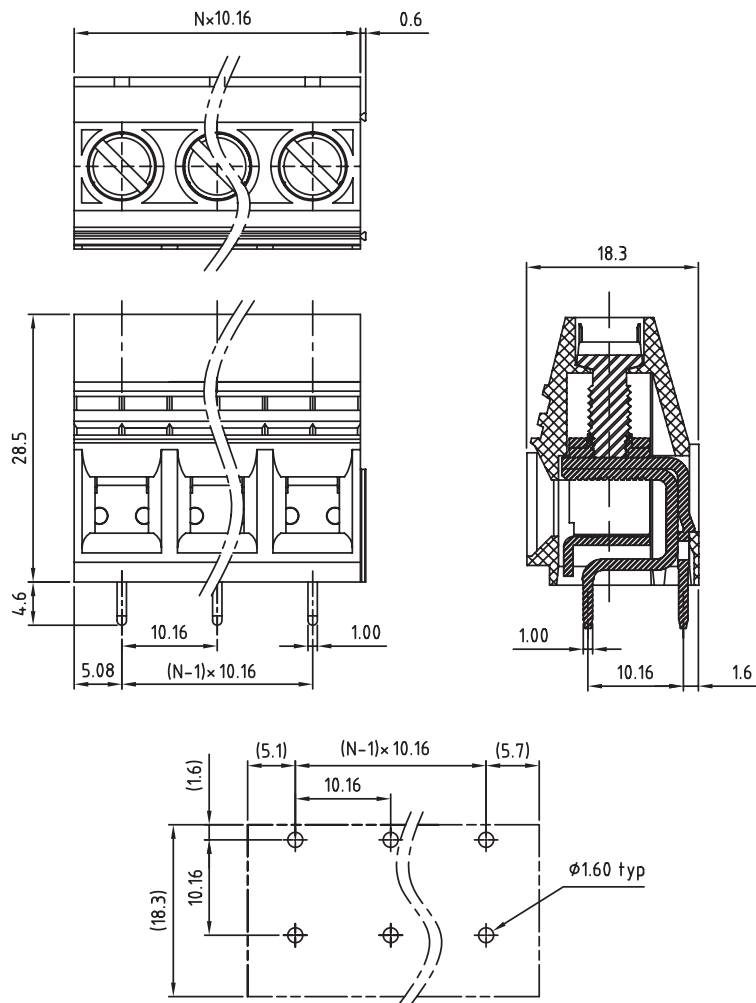
1

2

3

4

5



PCB LAYOUT - COMPONENT VIEW

TECHNICAL CHARACTERISTICS

MATERIAL
 INSULATOR: PA 66
 FLAMABILITY RATING: UL94-V0
 COLOR: GREY
 METAL HOUSING: BRASS (CuZn)
 TERMINAL SCREW: STEEL ZINC PLATING
 TERMINAL SCREW SLOT TYPE: "-"
 CONTACT: BRASS
 SOLDER TAIL PLATING: TIN

ENVIRONMENTAL
 OPERATING TEMPERATURE: -40 UP TO 105°C
 COMPLIANCE: LEAD FREE AND ROHS

ELECTRICAL
 CURRENT RATING: 57A
 WORKING VOLTAGE: 300VAC
 WITHSTANDING VOLTAGE: 1.6KV
 CONTACT RESISTANCE: 20 mOhm max

MECHANICAL
 SOLID WIRE: 22-8 AWG / 0.30-8.5MM²
 STRANDED WIRE: 22-8 AWG / 0.30-8.5MM²
 TORQUE: 19Lb-In / 2.15Nm

WIRE STRIPE LENGTH: 10-11MM
 SCREW: M4.5
 PITCH: 10.16MM

SOLDERING: WAVE PROCESS ONLY

PACKAGING: BOX

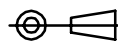
SERIE 2196

CERTIFICATION



RoHS Compliant

PROJECTION:



GENERAL TOLERANCE

.X = +/- 0.2

.XX = +/- 0.15



APPROVAL: RJ

UNIT: MM

SCALE:

SHEET: 1/1

DRAW: MARVIN

DESCRIPTION: SERIE 2196 - 10.16MM HORIZONTAL ENTRY MODULAR WITH
 RISING CAGE CLAMP - 8.5MM² WIRES WR-TBL

WERI PART NO: 691 219 610 0xx

SIZE

A4

G			
F			
E			
D			
C			
B			
A	30-OCT-08	PDF	JP
REV	DATE	FILE	BY