

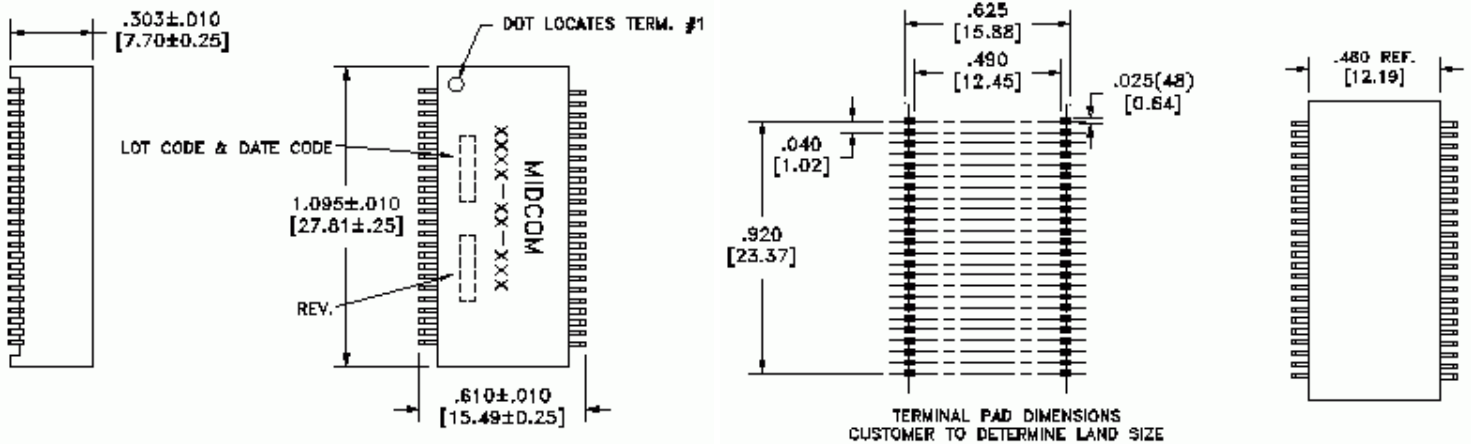


Discrete 10/100 Base-T

Midcom

LANDatacom

Part Number	Auto MDIX	Tx Ratio	Temp Range	Pin Style	RoHS	Mechanical	Schematic
000-7090-37R-LF1	YES	1CT:1CT	ETR	SMD	YES	3	4
000-7093-37R-LF1	NO	1CT:1CT	ETR	SMD	YES	5	6
000-7120-37R-LF1	YES	1CT:1CT	STR	SMD	YES	2	3
000-7333-30R-LF1	YES	1CT:1CT	ETR	SMD	YES	4	5
749012011	NO	1CT:1CT	STR	SMD	YES	7	9
749022013	NO	1CT:1CT	STR	SMD	YES	8	10
749022014	NO	1CT:1CT	STR	SMD	YES	8	11
749022021	NO	1CT:1CT	ETR	SMD	YES	9	12
749022022	NO	1CT:1CT	ETR	SMD	YES	9	13
749023015	NO	1CT:1CT	STR	SMD	YES	6	7
749023016	NO	1CT:1CT	STR	SMD	YES	6	8
749023022	NO	1CT:1CT	ETR	SMD	YES	1	1
749023023	NO	1CT:1CT	STR	SMD	YES	1	2



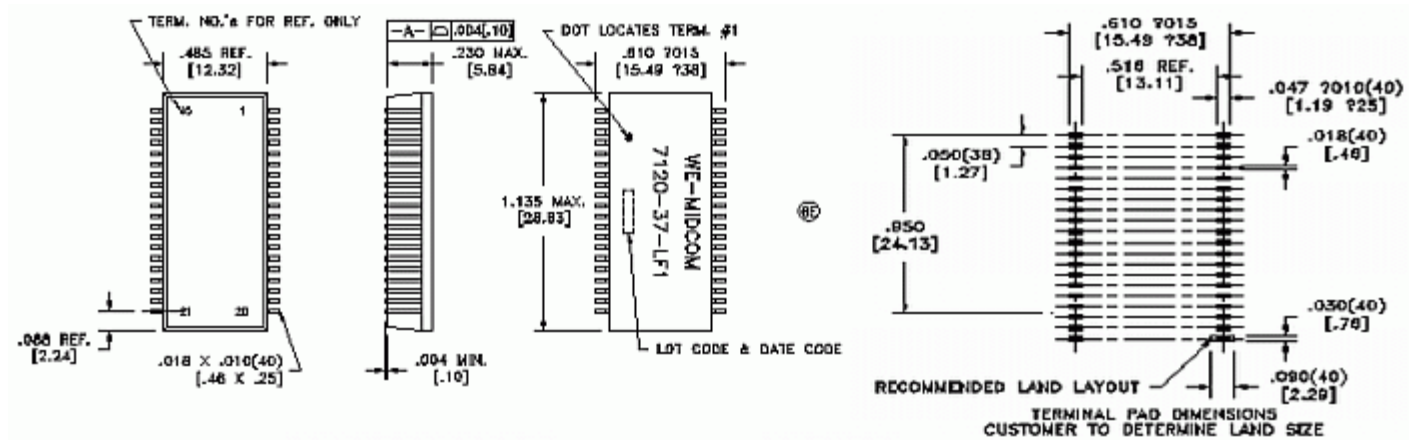
Mechanical 1



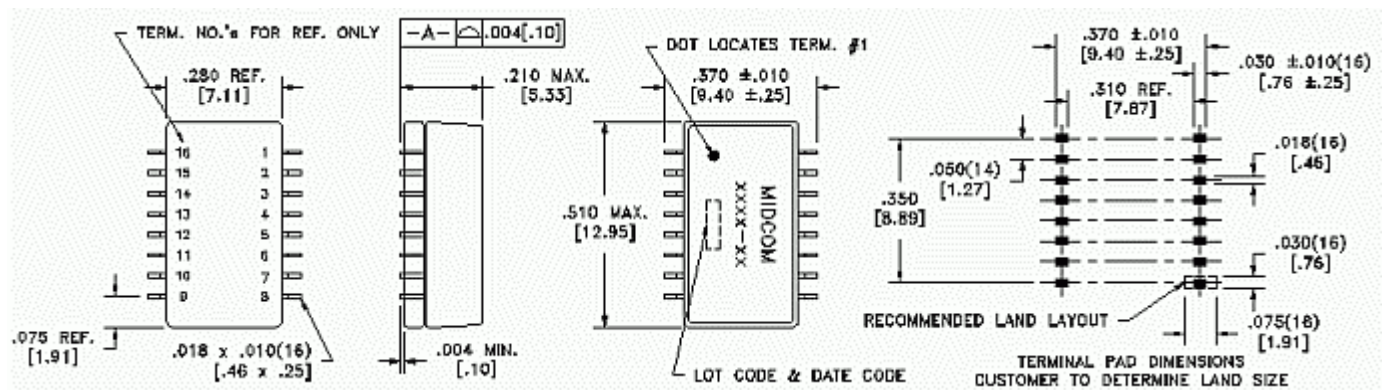
Discrete 10/100 Base-T

Midcom

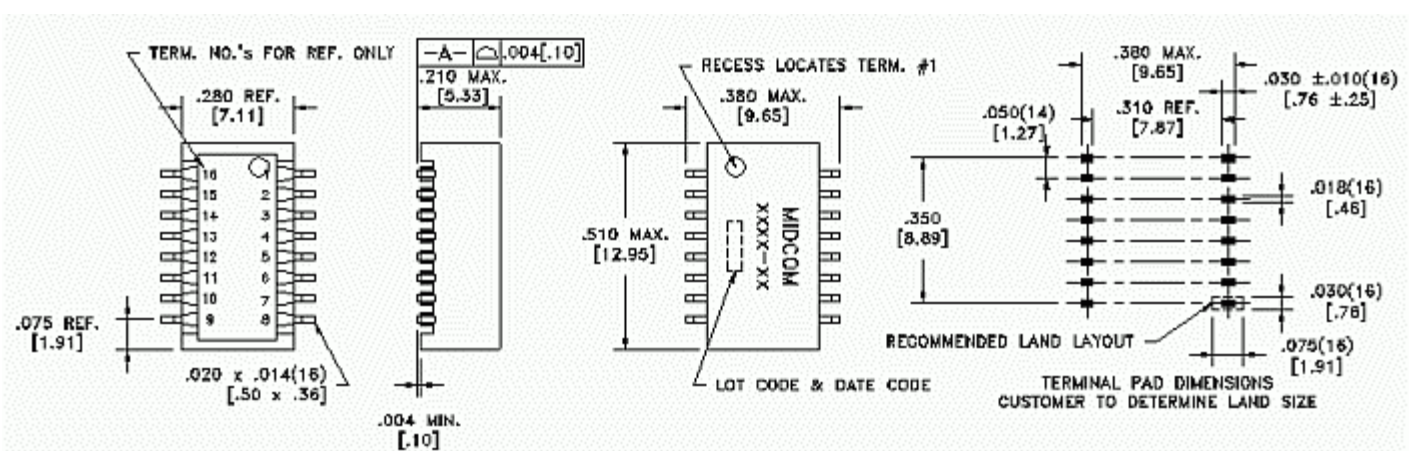
LANDatacom



Mechanical 2



Mechanical 3



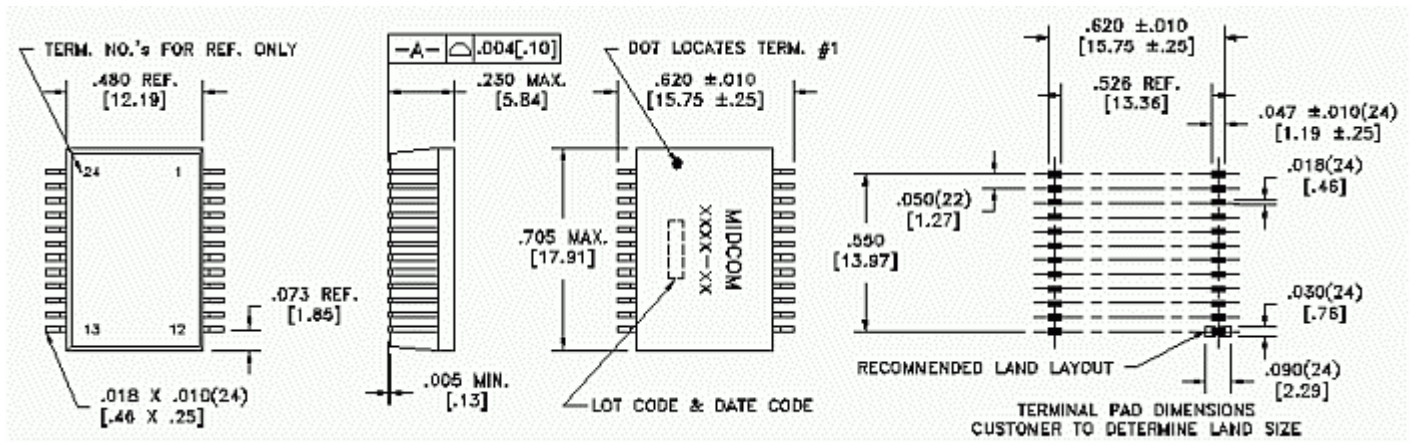
Mechanical 4



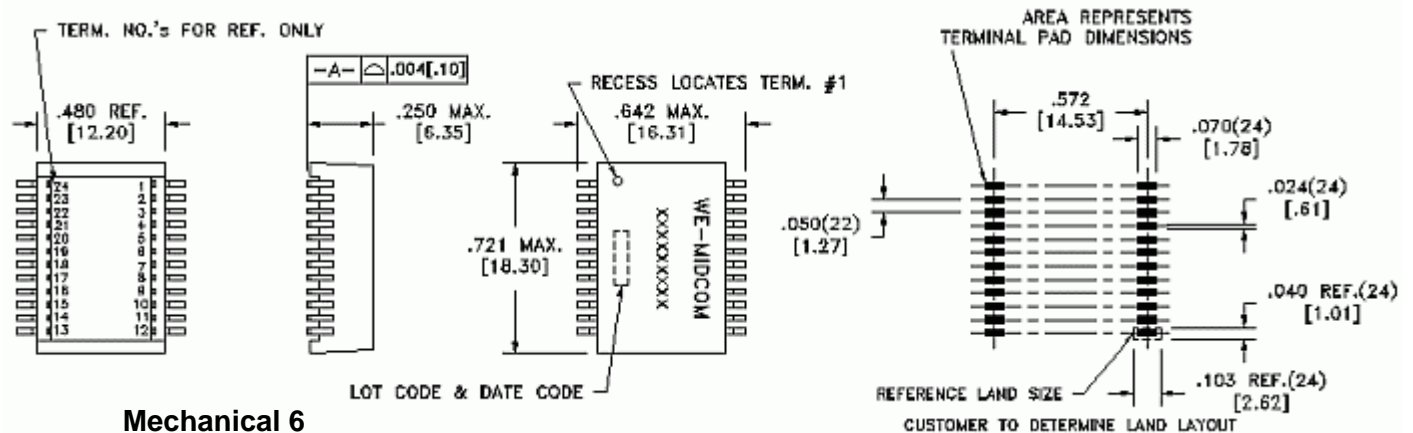
Discrete 10/100 Base-T

Midcom

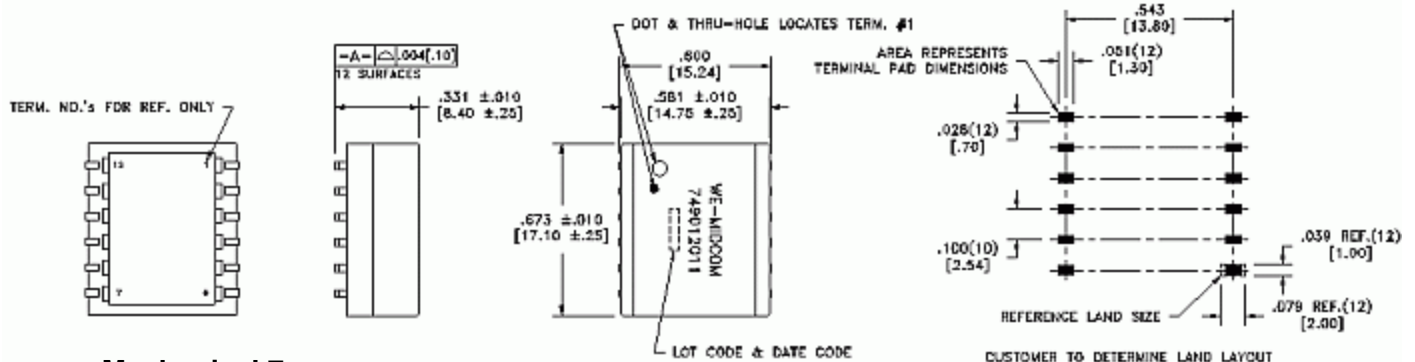
LANDatacom



Mechanical 5



Mechanical 6

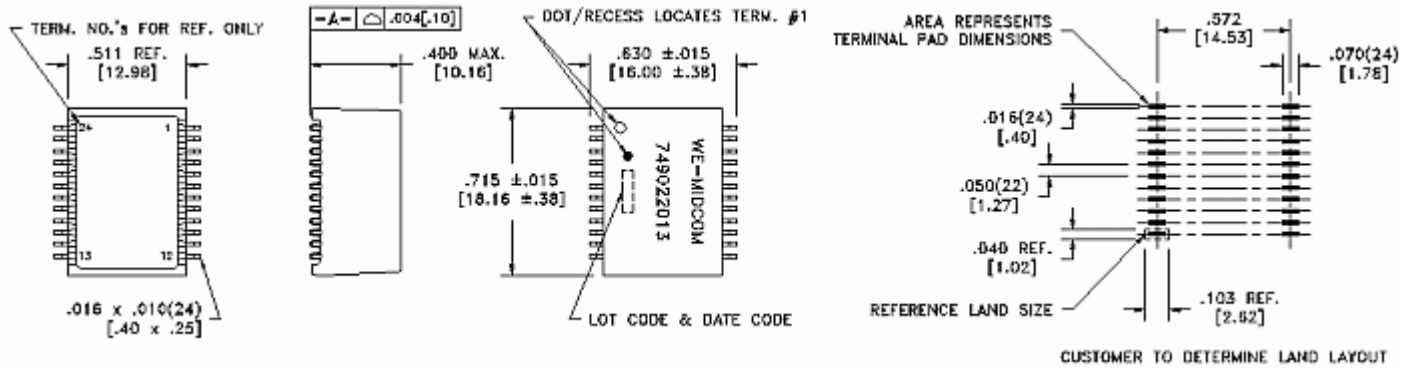


Mechanical 7

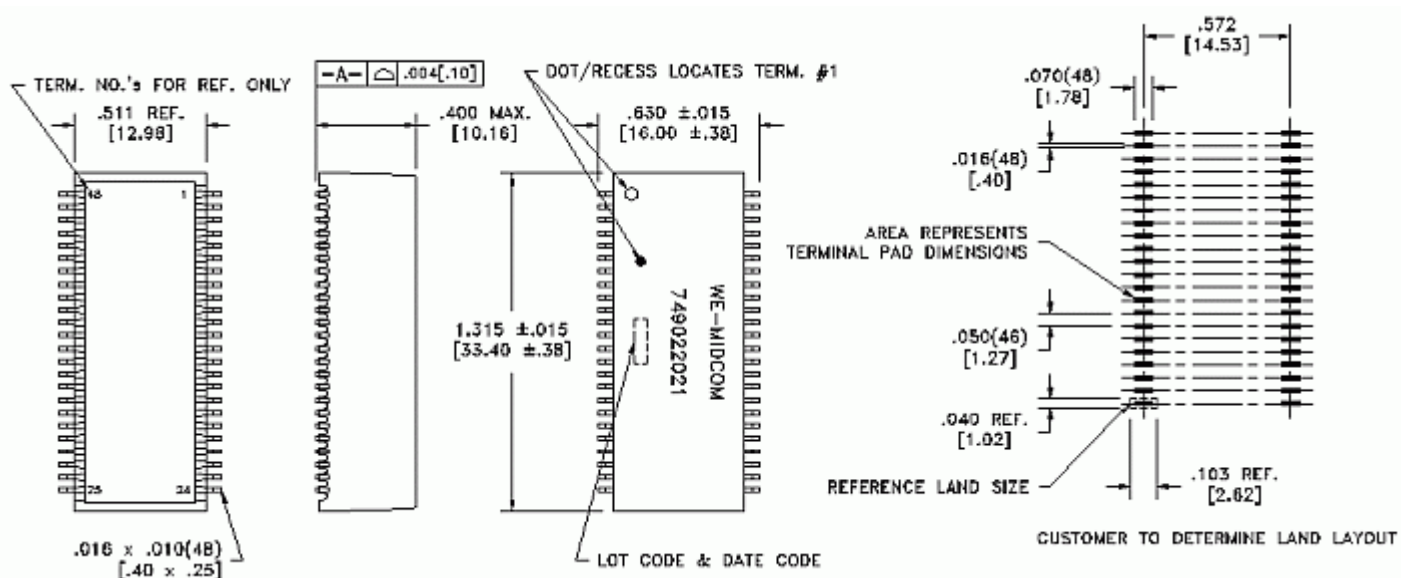


Discrete 10/100 Base-T

LANDatacom



Mechanical 8

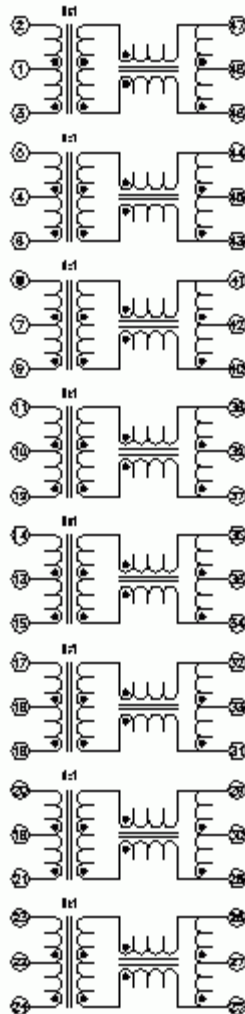


Mechanical 9

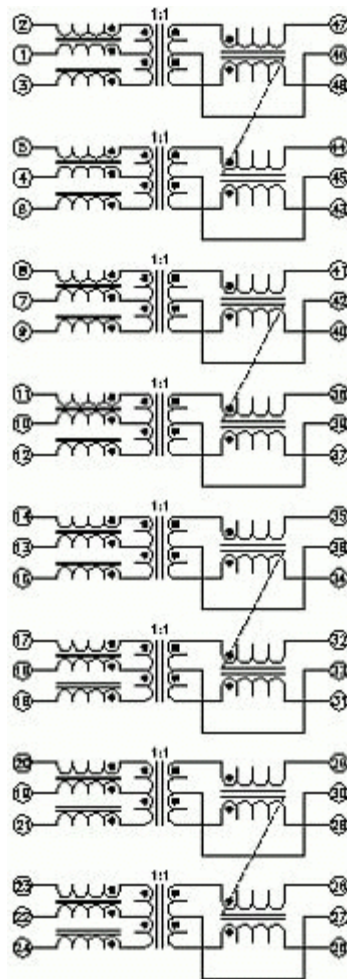


Discrete 10/100 Base-T

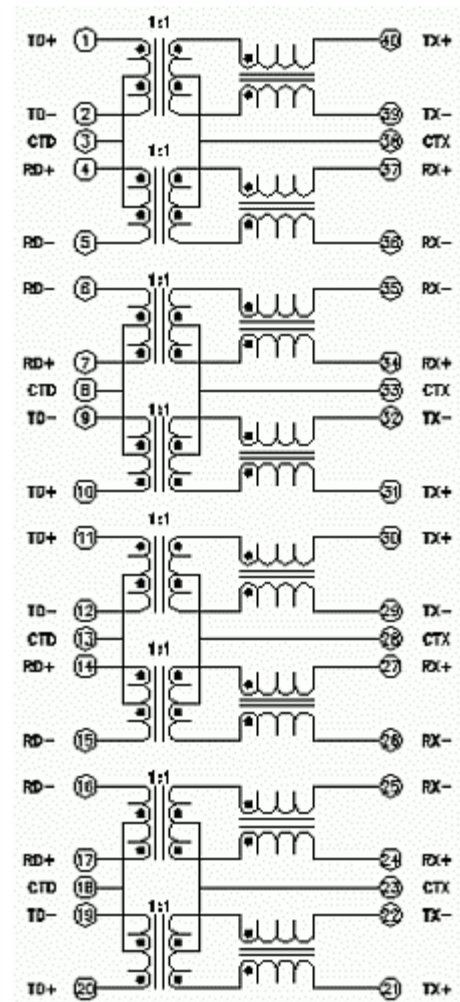
LANDatacom



Schematic 1



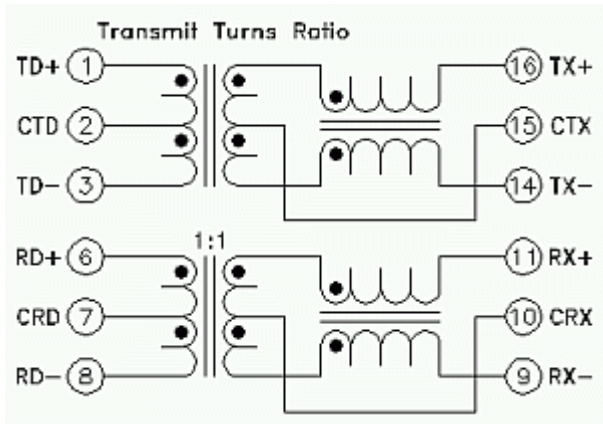
Schematic 2



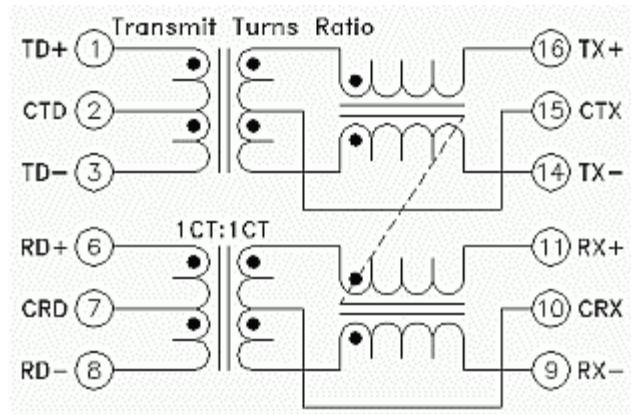
Schematic 3

Discrete 10/100 Base-T

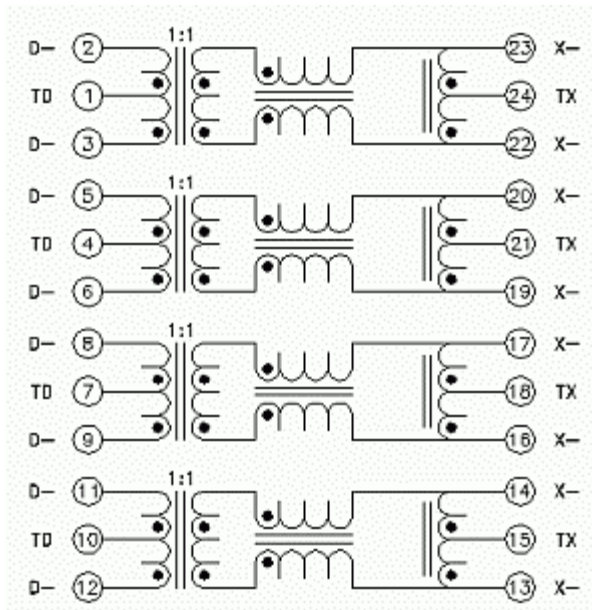
LANDatacom



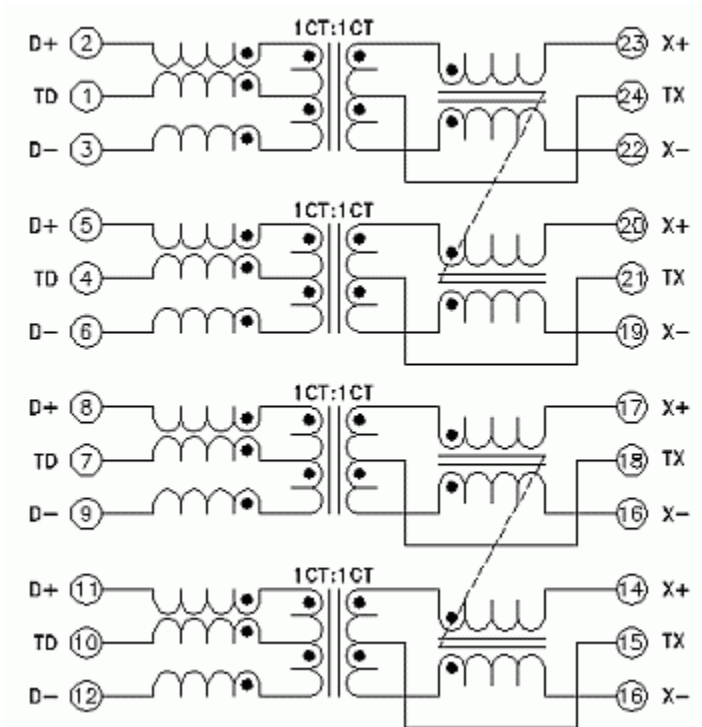
Schematic 4



Schematic 5



Schematic 6

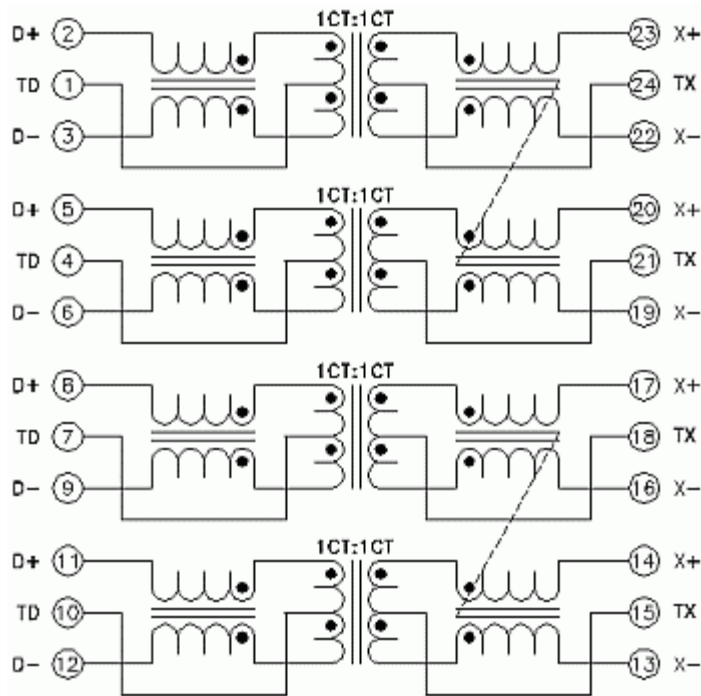


Schematic 7

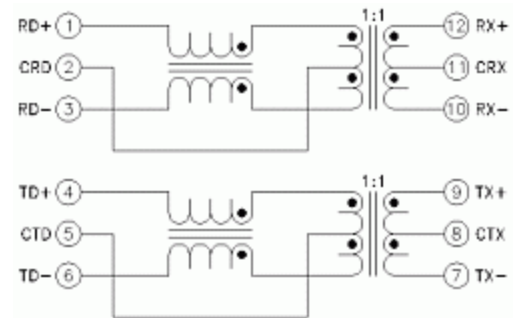


Discrete 10/100 Base-T

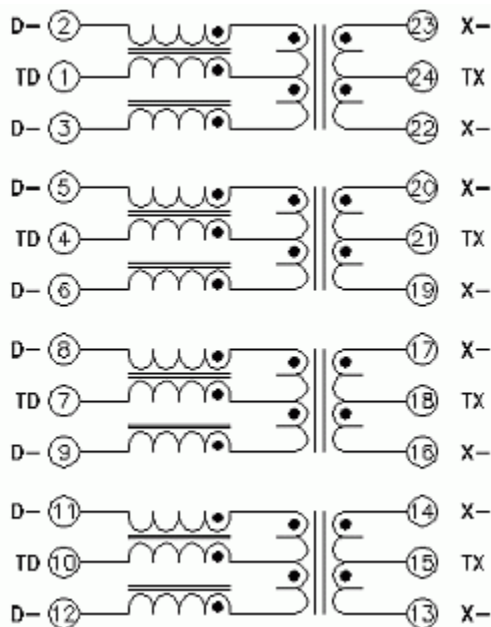
LANDatacom



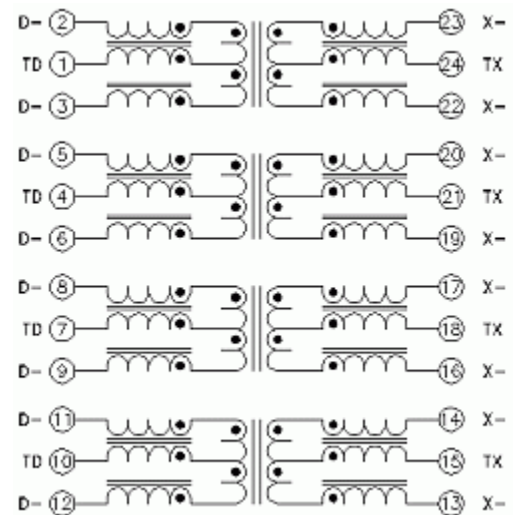
Schematic 8



Schematic 9



Schematic 10

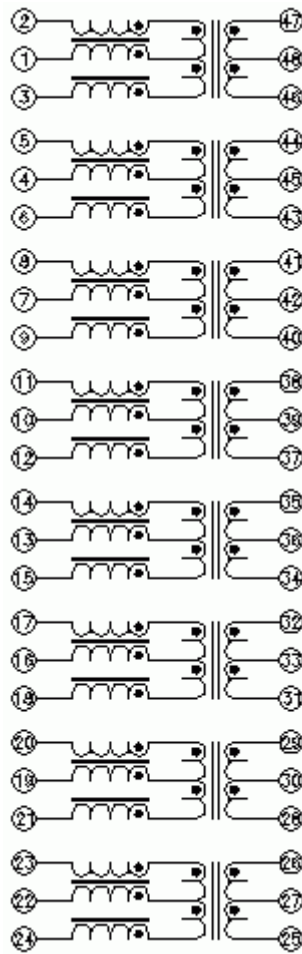


Schematic 11

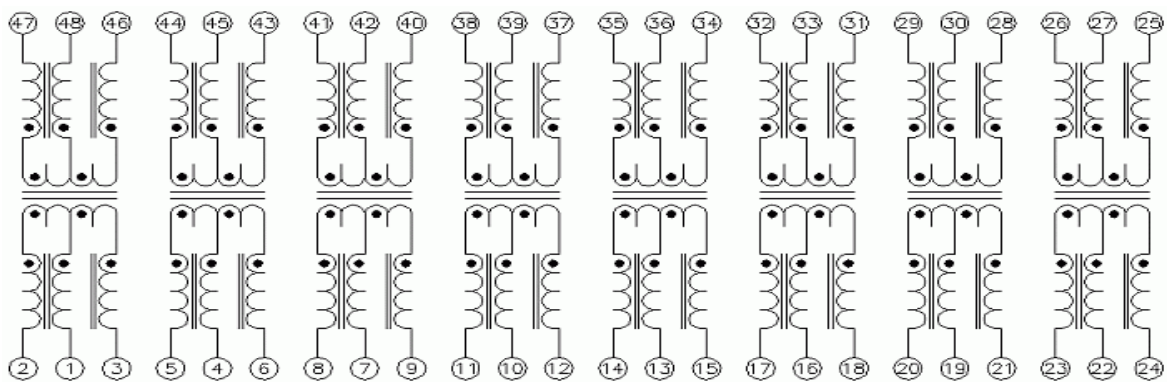


Discrete 10/100 Base-T

LANDatacom



Schematic 12



Schematic 13