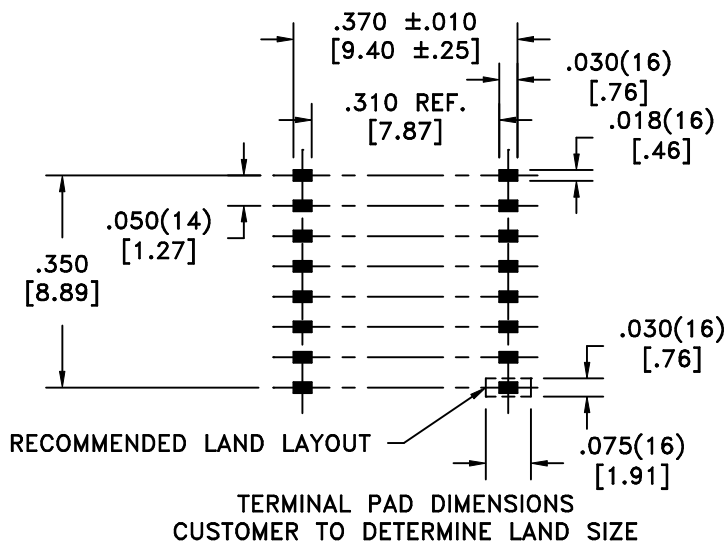
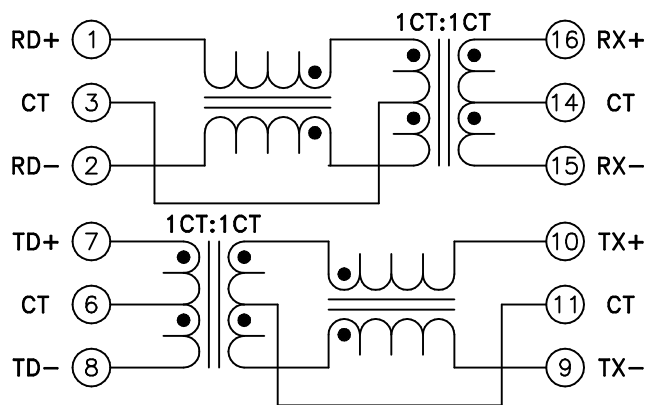
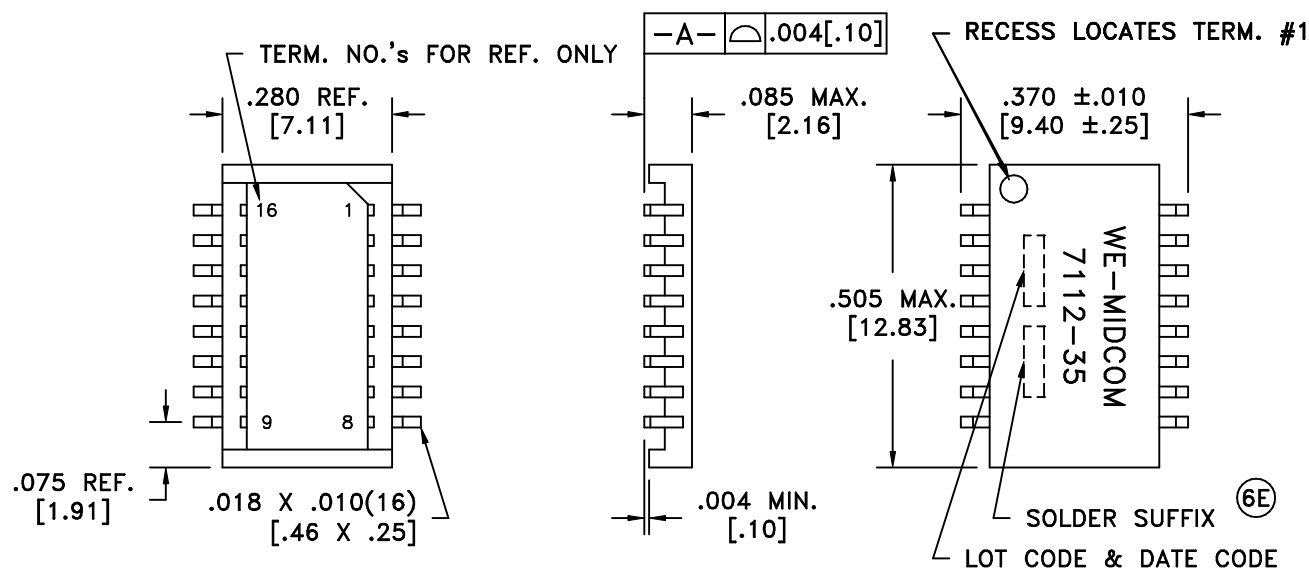


SOLDER SUFFIX	CUSTOMER TERMINAL	RoHS	LEAD(Pb)-FREE	(6E)
	Sn63%, Pb37%	No	No	
LF1	Sn96%, Ag4%	Yes	No	



**ELECTRICAL SPECIFICATIONS @ 25°C unless otherwise noted:**

- INDUCTANCE: 350uH min., 100kHz, 100mV, 8mADC, 1-2; 7-8, Lp.
- DIELECTRIC RATING: 1500Vrms, 1 minute tested by applying 1800Vrms for 1 second between 1-16(tie 1+8, 9+16).
- URNS RATIO & POLARITY: (1-2):(16-15) = 1:1, ±2%.  
(7-8):(10-9) = 1:1, ±2%.
- INSERTION LOSS: -1.1dB max., 100k - 100MHz.
- RETURN LOSS: -17dB min., 1M - 30MHz. -13dB min., 45M - 60MHz.  
-15.5dB min., 30M - 45MHz. -11dB min., 60M - 80MHz.
- CROSSTALK: -30dB min., 100k - 100MHz.
- CMRR: -30dB min., 100k - 100MHz.
- OPERATING TEMPERATURE RANGE: 0°C to +70°C.
- COPLANARITY: All 16 terminals must lie on a plane within .004[.10] of Surface A after lead tinning.

(6D)	
AGENCY NUMBER	
UL 60950	E205930
CSA 60950 (Via CUL)	E205930

**Midcom, Inc.**  
Watertown, SD USA  
Toll Free: 800-643-2661  
Fax: 605-886-4486

This drawing is dual dimensioned.  
Dimensions in brackets are in millimeters.

Unless otherwise specified:  
Tolerances: Fractions: ±1/64  
Angles: ±1° Decimals: ±.005[.13]

DRAWING TITLE

**TRANSFORMER**  
**AEDFP-G16**

REVISIONS: SEE SHEET 1

**Midcom**

DRAWING NO.

**000-7112-35R/-LF1** (6E) REV. 6F  
10/06

SCALE ---

SHEET 2 OF 8

DWG.# 000-7112-35R/-LF1