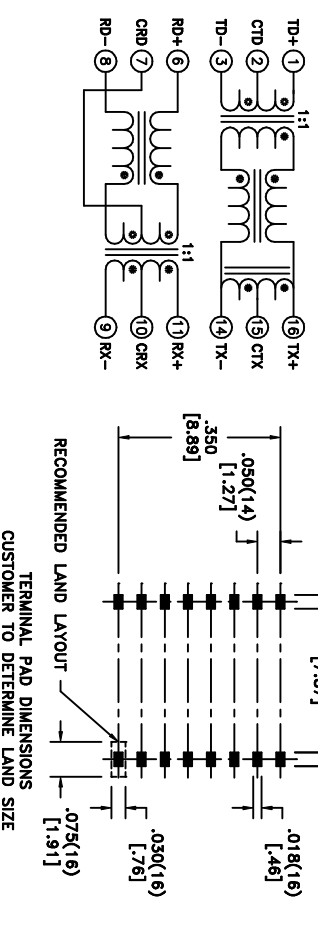
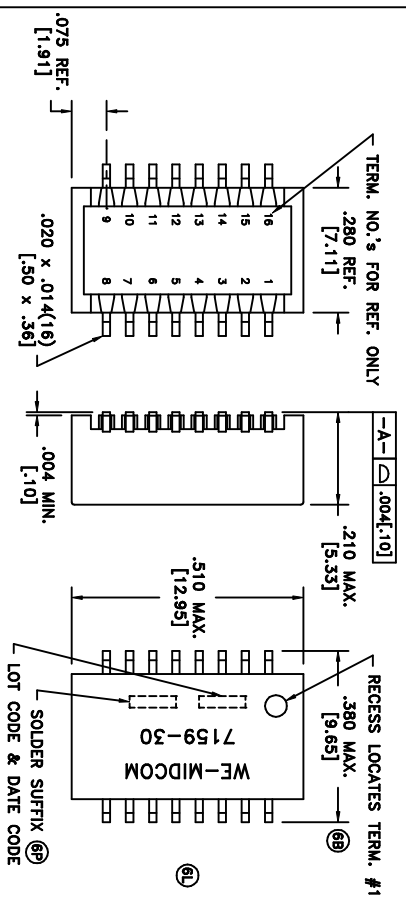


SOLDER SUFFIX	CUSTOMER TERMINAL	ROHS	LEAD(Pb)-FREE
LF1	Sn63%, Pb37%	No	No
	Sn86%, Ag4%	Yes	Yes



**ELECTRICAL SPECIFICATIONS @ 25°C unless otherwise noted:**

- ⑥ INDUCTANCE: 350nH min., 100kHz, 100mV, 5mA DC, 16-14; 11-9, 1p, 0°C to +70°C.
- DIELECTRIC RATING: 1500Vrms, 1 minute tested by applying 1800Vrms for 1 second between 1-16 (tie 1+8, 9+16).
- TURNS RATIO & POLARITY: (1-3):(16-14) = 1:1, ±2%. (6-9):(11-9) = 1:1, ±2%.
- INSERTION LOSS: -1.0dB max., 1M - 100MHz.
- ⑥ RETURN LOSS: -20.5dB min., 1M - 30MHz. -14dB min., 60M - 80MHz. -17dB min., 30M - 60MHz. -12dB min., 80M - 100MHz.
- CROSS-TALK: -40dB min., 1M - 100MHz.
- ⑥ CMRR: -40dB min., 1M - 100MHz. -20.5dB min., 100M - 500MHz.

OPERATING TEMPERATURE RANGE: 0°C to +70°C.  
 COPLANARITY: All 16 terminals must lie on a plane within .004 [1.0] of Surface A after lead finishing.  
 Midcom p/n 000-7159-30R-LF1 is eISos p/n: 749010017

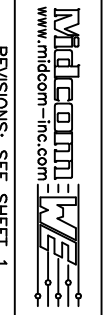
REV.	DATE
GT	12/07
6S	9/07
6R	7/07
6Q	2/07
6P	11/04

Method: Tape & Reel  
 PKG-0339  
 www.midcom-inc.com

Unless otherwise specified:  
 Tolerances: Fractions: ±1/64  
 Angles: ±1°  
 Decimals: ±.005 [1.27]  
 Dimensions in brackets are in millimeters.

DRAWING TITLE  
**TRANSFORMER**  
 EDSO-G16

⑥



DRAWING NO.  
**000-7159-30R-LF1**

AGENCY NUMBER	UL60950	E205930
CSA60950 (No cUL)	E80950	

⑥ ⑥ ⑥ SHEET 2 OF 7 ⑥ ⑥ ⑥