

## Data sheet

### E-DAT Industry IP67 V6 cable coupler, 1 port Cat.6<sub>A</sub> - C6<sub>A</sub>modul

Page 1/6

P/N

1309515003-E

EAN 4250184162346

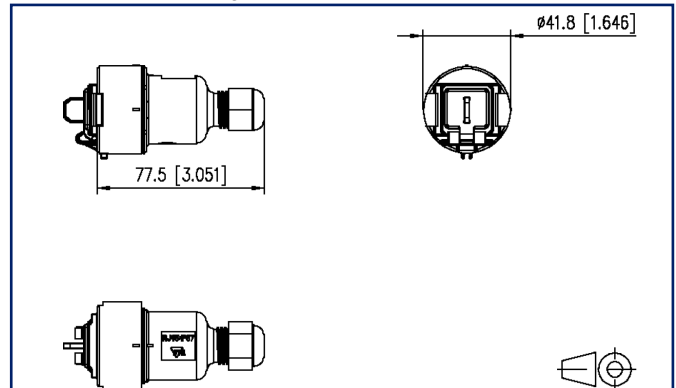
2023/02/15

Version: AC

## Illustrations



Dimensional drawing



See enlarged drawings at the end of document

## Product specification

- RJ45 termination unit C6<sub>A</sub>modul in flange housing to ISO/IEC 24702 and IEC 61076-3-106 variant 6
- certified to GHMT Cat.6<sub>A</sub> re-embedded PVP
- Cat.6<sub>A</sub> component test according to ISO/IEC 11801, DIN EN 50173-1, ANSI/TIA-568.2-D and IEC 60603-7-51, GHMT certified
- compliance with class E<sub>A</sub> according to ISO/IEC 11801, DIN EN 50173-1
- tested: component up to 600 MHz, link up to 800 MHz
- suitable for 10 GBit Ethernet (IEEE 802.3an), Remote Powering (PoE, PoE plus, UPoE and 4PPoE) and HDBaseT
- easy to install connection of data lines AWG 24/1 to 22/1 (solid wire) and AWG 26/7 to 22/7 (stranded wire) to insulation displacement connectors (IDC)
- intelligent cable management in stuffer cap - also suitable for heavily twisted cables
- conductor assignment to T568A and T568B is directly printed on the stuffer cap
- complies with ingress protection IP67 when plugged in
- plug face according to IEC 61076-3-106 (variant 6)
- large 360° shield contact
- can be used as cable coupler (KK) in variable applications
- connection of RJ45 plugs available on the market (no IP protection)
- mounting without special tools, strain relief directly snapped on to stuffer cap
- color: light gray RAL 7035



# P | Cabling

Data sheet

Page 2/6

## E-DAT Industry IP67 V6 cable coupler, 1 port Cat.6<sub>A</sub> - C6<sub>A</sub>modul

P/N

1309515003-E

EAN 4250184162346

2023/02/15

Version: AC

### Technical Data

#### General Data

|   |                                   |
|---|-----------------------------------|
| Fields of application                         | office areas<br>harsh environment |
| Mechanical measurement according to MICE      | M1                                |
| Ingress measurement according to MICE         | I1                                |
| Climatic measurement according to MICE        | C1                                |
| Electromagnetic measurement according to MICE | E3                                |
| Design  | wall outlet                       |
| Shielding                                     | shielded                          |
| Transmission technology                       | Copper                            |
| Wiring  | T568A                             |
| Color protective housing                      | light gray                        |
| Dimensions                                    |                                   |
| Dimension (L x W x H)                         | 77.5 mm x 41.8 mm x 41.8 mm       |
| Dimension (L x W x H)                         | 3.051 in. x 1.646 in. x 1.646 in. |

#### Transmission characteristics

|                                 |                |
|---------------------------------|----------------|
| Category (ISO)                  | 6 <sub>A</sub> |
| Class (ISO/IEC)                 | E <sub>A</sub> |
| Category (TIA)                  | 6A             |
| Remote Powering                 | yes            |
| PoE                             | IEEE 802.3af   |
| PoE plus                        | IEEE 802.3at   |
| UPoE                            | yes            |
| 4PPoE                           | IEEE 802.3bt   |
| HDBaseT                         | yes            |
| Transmission rate up to 10 GBit | IEEE 802.3an   |

#### Connections/interfaces

|  |                |
|--|----------------|
| Connector technology interface 1         | IDC-connection |
| Connector technology interface 2         | RJ45-jack      |
| Number of ports interface 2              | 1              |
| Number of ports interface 2 equipped     | 1              |
| Number of positions/contacts interface 1 | 8              |

# P | Cabling

Data sheet

Page 3/6

## E-DAT Industry IP67 V6 cable coupler, 1 port Cat.6<sub>A</sub> - C6<sub>A</sub>modul

P/N

1309515003-E

EAN 4250184162346

2023/02/15

Version: AC

### Technical Data

| Connections/interfaces                                       |   |
|--|---|
| Number of positions/contacts interface 2                     | 8P/8C   |
| Protective housing interface 1                               | V6  |
| Protective housing interface 2                               | V6  |
| Termination data, solid wire (min. - max.)                   |   |
| Conductor cross section, solid wire                          | AWG 26/1 - AWG 22/1                           |
| Conductor cross section, solid wire                          | 0.128 mm <sup>2</sup> - 0.324 mm <sup>2</sup> |
| Conductor diameter, solid wire (bare copper)                 | 0.409 mm - 0.643 mm                           |
| Conductor diameter, solid wire (bare copper)                 | 0.016 in. - 0.025 in.                         |
| Termination data, stranded wire (min. - max.)                |   |
| Conductor cross section, stranded wire                       | AWG 26/7                                      |
| Conductor cross section, stranded wire                       | 0.141 mm <sup>2</sup>                         |
| Conductor diameter, stranded wire                            | 0.483 mm                                      |
| Conductor diameter, stranded wire                            | 0.019 in.                                     |
| Cable sheath diameter (min. - max.)                          |   |
| Cable sheath diameter  | 5.5 mm - 10.0 mm                              |
| Elektrische/ Optische Eigenschaften                          |   |
| Current carrying capacity                                    | max. 1 A                                      |
| Rated voltage  | max. 50 V                                     |
| Contact resistance   | max. 20 mOhm                                  |
| Through resistance   | max. 200 mOhm                                 |
| Insulation resistance  | min. 500 MOhm                                 |
| Dielectric strength conductor-conductor (secondary)          | max. 1000 V DC                                |
| Mechanical data  |   |
| Insertion and withdrawal force                               | max. 30 N                                     |
| Position/mounting of latch<br>standard installation position | top   |
| strain relief  | latching clip                                 |

# P | Cabling

Data sheet

Page 4/6

## E-DAT Industry IP67 V6 cable coupler, 1 port Cat.6<sub>A</sub> - C6<sub>A</sub>modul

P/N

1309515003-E

EAN 4250184162346

2023/02/15

Version: AC

### Technical Data

#### Materials and material properties

|                                    |                                |
|------------------------------------|--------------------------------|
| Material - Housing                 | GD-Zn (zinc die-cast)          |
| Material - Protective housing      | PA UL94 V0                     |
| Material - Contact                 | CuSn (tin bronze)              |
| Material - Contact finish          | Ni + Au (nickel-gold)          |
| Material - Contact carriers        | PA 6.6                         |
| Material - Finish                  | Ni (nickel)                    |
| Material - Cable gland             | PA (polyamide)                 |
| Material - Protective housing seal | NBR (nitrile butadiene rubber) |
| Material - Cap nut                 | PA (polyamide)                 |
| Material - Protective cap          | PA UL94 V0                     |
| RoHS                               | compliant                      |
| REACH                              | compliant                      |

#### Environmental conditions

|                             |   |
|-----------------------------|---|
| Temperature (min. - max.)   |   |
| Temperature - Storage °C    | -40 °C - 70 °C  |
| Temperature - Storage °F    | -40 °F - 158 °F   |
| Temperature - Operating °C  | -40 °C - 70 °C  |
| Temperature - Operating °F  | -40 °F - 158 °F   |
| Particulate ingress         | IP6X  |
| Liquid ingress/immersion    | IPX7  |
| Rapid change of temperature | -40°C / -40°F - +70°C / 158°F / 25 cycles t=30 min  |
| General information         | This product is suitable for use in industrial environments inside buildings with IPxy protection class according to DIN EN 60529 specified in this data sheet. Not specified for outdoor applications. |

#### Certifications

GHMT PVP



yes



# P | Cabling

Data sheet

Page 5/6

## E-DAT Industry IP67 V6 cable coupler, 1 port Cat.6<sub>A</sub> - C6<sub>A</sub>modul

P/N

1309515003-E

EAN 4250184162346

2023/02/15

Version: AC

### Technical Data

#### Standards/Regulations

Generic cabling systems

General requirements ANSI/TIA-568

Industrial area ISO/IEC 24702 | DIN EN 50173-3  
ANSI/TIA-1005

Connectors for electronic equipment

Free and fixed connectors DIN EN 60603-7-51:2011-01

Connectors for electronic equipment - Tests and measurements

Test standard for connectors (engaging and separating connectors under electrical load) DIN-EN 60512-99-001, Pg. UEL1

Endurance tests IEC 60512-9-3: 03-2009

Degrees of Protection Provided by Enclosures IEC 60529

Interference proof

Immunity for industrial environments DIN EN 61000-6-2:2006-03

Climate tests IEC 60512-11

#### Classifications

ETIM 5.0 EC002597

ETIM 6.0 EC002597

ETIM 7.0 EC002597

ETIM 8.0 EC002597

#### Packing details

Type of packaging 1 pc(s) / plastic bag

Packaging unit - Weight (gram) 35 g

Packaging unit - Weight (pound) 0.08 lb

Packaging dimension 160 mm x 100 mm x 380 mm

Packaging dimension 6.299 in. x 3.937 in. x 14.961 in.

# P | Cabling

Data sheet

**E-DAT Industry IP67 V6 cable coupler,  
1 port Cat.6<sub>A</sub> - C6<sub>A</sub>modul**

Page 6/6

P/N

1309515003-E

EAN 4250184162346

2023/02/15

Version: AC

## Illustrations

Dimensional drawing

