

Data sheet Industry IP67 V1 plug housing

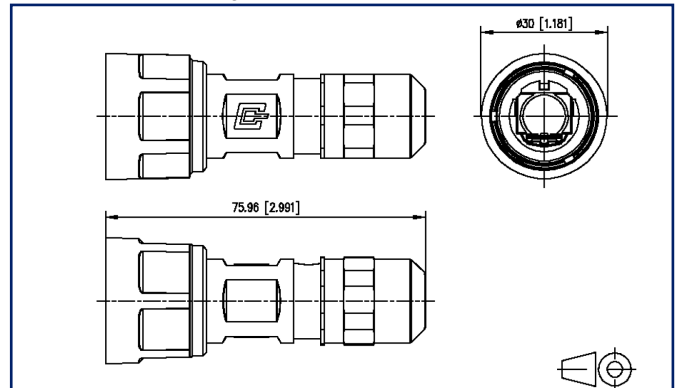
Page 1/6

P/N
1401015002KE
EAN 4250184114062
2022/07/25
Version: M

Illustrations



Dimensional drawing



See enlarged drawings at the end of document

Product specification

- plug housing with bayonet lock acc. to ISO/IEC 24702 and IEC 61076-3-106 var. 1
- IP67 protected housing to hold Industry plug inserts
- increased diameter range of 10 mm for connection of cable jackets
- resistant to welding sputter
- industry-compatible plastic housing with improved durability
- flammability class as per UL 94V-0
- improved resistance to chemical substances
- labeling on plug housing
- snap-on clip for color coding after assembly
- cable can be pushed through preassembled plug housing
- matching plug inserts: E-DAT Industry RJ45 field plug insert, E-DAT Industry RJ45 plug insert, OpDAT Industry 2LC plug insert, OpDAT Industry 2SC plug insert
- variants: plug housing, bend-protected plug housing



P | Cabling

Data sheet Industry IP67 V1 plug housing

Page 2/6

P/N
1401015002KE
EAN 4250184114062
2022/07/25
Version: M

Technical Data

General Data

Fields of application	harsh environment
Mechanical measurement according to MICE	M1
Ingress measurement according to MICE	I1
Climatic measurement according to MICE	C1
Electromagnetic measurement according to MICE	E3
Design	plug housing
Color	black
Dimensions	
Dimension (L x W x H)	75.96 mm x 30 mm x 30 mm
Dimension (L x W x H)	2.991 in. x 1.181 in. x 1.181 in.
Labeling option	on housing
Marking option	by latching clip

Connections/interfaces

Number of ports interface 2	1
Number of ports interface 2 equipped	0
Protective housing interface 1	V1
Protective housing interface 2	V1
Cable sheath diameter (min. - max.)	
Cable sheath diameter	5 mm - 10.00
Cable sheath diameter	0.197 in. - 0.394
Module plug-in direction	straight
Cable access/outlet	180°

Mechanical data

Locking method (protective housing)	Bayonet
-------------------------------------	---------

Materials and material properties

Material - Protective housing	PA UL94 V0
Material - Protective housing seal	NBR (nitrile butadiene rubber)
Material - Flat seal	NBR (nitrile butadiene rubber)
Material - Cap nut	PA (polyamide)
Material - Spring washer	Spring steel
Flame retardancy	as per UL 94 V0

P | Cabling

Data sheet Industry IP67 V1 plug housing

Page 3/6

P/N
1401015002KE
EAN 4250184114062
2022/07/25
Version: M

Technical Data

Materials and material properties

RoHS compliant

Environmental conditions

Temperature (min. - max.)	
Temperature - Storage °C	-40 °C - 70 °C
Temperature - Storage °F	-40 °F - 158 °F
Temperature - Operating °C	-40 °C - 70 °C
Temperature - Operating °F	-40 °F - 158 °F
Particulate ingress	IP6X
Liquid ingress/immersion	IPX6 and IPX7
Rapid change of temperature	-40°C / -40°F - +70°C / +158°F / 25 cycles t=30min
Damp heat	+25°C / +77°F / +65°C / 149°F / 93% RH // -10°C / 14°F / 21 cycles
Salt spray fog test (NSS Test)	+35°C / +95 / 4 days 5% NaCL
Resistance to welding beads	yes
Increased robustness	yes
Increased chemical resistance	yes
General information	This product is suitable for use in industrial environments inside buildings with IPxy protection class according to DIN EN 60529 specified in this data sheet. Not specified for outdoor applications.

Approvals

UL listed (file no.)



DUXR.E178484

Standards/Regulations

Generic cabling systems	
Industrial area	ISO/IEC 24702
UL standard for Communications-Circuit Accessories	UL 1863
Degrees of Protection Provided by Enclosures	IEC 60529
Connectors for electronic equipment	
Rectangular connectors	DIN EN 61076-3-106

P | Cabling

Data sheet Industry IP67 V1 plug housing

Page 4/6

P/N
1401015002KE
EAN 4250184114062
2022/07/25
Version: M

Technical Data

Classifications

ETIM 5.0	EC001121
ETIM 6.0	EC000437
ETIM 7.0	EC000437
ETIM 8.0	EC000437

Packing details

Type of packaging	10 pc(s) / box
Packaging unit - Weight (gram)	236 g
Packaging unit - Weight (pound)	0.52 lb
Packaging dimension	258 mm x 164 mm x 51 mm
Packaging dimension	10.157 in. x 6.457 in. x 2.008 in.



P | Cabling

Data sheet

Industry IP67 V1 plug housing

Page 5/6

P/N

1401015002KE

EAN 4250184114062

2022/07/25

Version: M

Accessories

P/N	Designation
1401009001-I	""Industry color coding ring V1/V4/V14 orange""
1401009003-I	""Industry color coding ring V1/V4/V14 light grey""
1401009004-I	""Industry color coding ring V1/V4/V14 white""
1401009005-I	""Industry color coding ring V1/V4/V14 yellow""
1401009006-I	""Industry color coding ring V1/V4/V14 blue""
1401009007-I	""Industry color coding ring V1/V4/V14 green""
1401018002KI	Industry IP67 V1 plug protective cap
1401400810-I	E-DAT Industry RJ45 field plug insert Cat.6 Class E _A
1401500810-I	E-DAT Industry RJ45 plug insert Cat.6 Class E _A
1402500820-I	OpDAT Industry 2SC MM plug insert
1402500822-I	OpDAT Industry 2SC MM plug insert
1402600820-I	OpDAT Industry 2SC SM plug insert
1402600822-I	OpDAT Industry 2SC SM plug insert
1402700820-I	OpDAT Industry 2SC POF plug insert
1402700822-I	OpDAT Industry 2SC POF plug insert
1402800820-I	OpDAT Industry 2LC MM plug insert
1402900820-I	OpDAT Industry 2LC SM plug insert

P | Cabling

Data sheet

Industry IP67 V1 plug housing

Page 6/6

P/N

1401015002KE

EAN 4250184114062

2022/07/25

Version: M

Illustrations

Dimensional drawing

