

## Data sheet

### RP043xxHBLC Typ 614

Page 1/5

P/N

316141xx

xx=number of poles

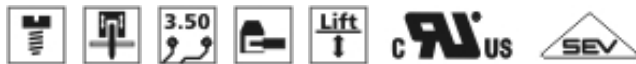
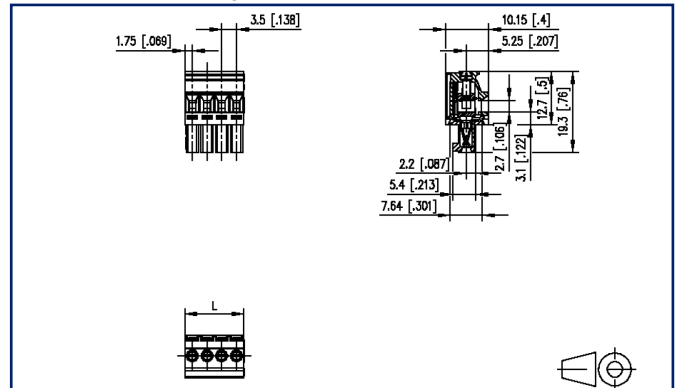
2021/09/15

Version: R

## Illustrations



Dimensional drawing





See enlarged drawings at the end of document

## Product specification

- screw type terminal block, pluggable
- centerline 3.50 mm, direction of connection 90°
- lift system, fittable without loss of poles
- color black
- wire entry uncodeable side perpendicular to plug direction



## Technical Data

General Data			
Tightening torque SEV	0.25 Nm		
Tightening torque UL	2.2 lb-in		
min. number of poles	2		
max. number of poles	24		
Insulating material class	CTI 600		
clearance/creepage dist.	2.7 mm		
Protection category	IP20		
Min. insul. strip length	7 mm		
Rated current	10 A		
Overvoltage category	III	III	II
Pollution degree	3	2	2
Rated voltage	160 V	400 V	400 V
Rated test voltage	2.5 kV	2.5 kV	2.5 kV
Anschlussdaten			
rat.wiring solid AWGmax	0.08 mm <sup>2</sup> - 1.5 mm <sup>2</sup> / AWG 28 - AWG 16		
rat.wiring strand.AWGmax	0.08 mm <sup>2</sup> - 1.5 mm <sup>2</sup> / AWG 28 - AWG 16		
Approvals			
extended wiring UL	Wire range extended to No. 16 AWG solid only.		
 V / A / AWG	300 / 10 / 28 - 16		
approval UL - File No.	E121004		
 1 mm <sup>2</sup>	130 V / 2.5 kV / 10 A		
Material			
insulating material	PA66		
flammability class	V0		
contact material	CuSn		
Contact surface	Sn		
terminal body thread	M2		
terminal body material	CuZnPb		
terminal body surface	Ni		
screw thread	M2		
screw material	8,8		
screw surface	Zn Cr(VI)-frei/free		
Glow-Wire Flammability GWFI	960 °C acc. to IEC 60695-2-12		

# U | Contact

## Data sheet RP043xxHBLC Typ 614

Page 3/5

P/N  
316141xx

xx=number of poles

2021/09/15

Version: R

### Technical Data

Glow-Wire Flammability GWIT	775 °C acc. to IEC 60695-2-13
REACH - substance (SVHC)	Lead / 7439-92-1

### Climatic Data

upper limit temperature	105 °C
lower limit temperature	-40 °C

### general

Tolerance	ISO 2768 -mH
-----------	--------------

# U | Contact

Data sheet  
RP043xxHBLC Typ 614

Page 4/5

P/N  
316141xx

xx=number of poles

2021/09/15

Version: R

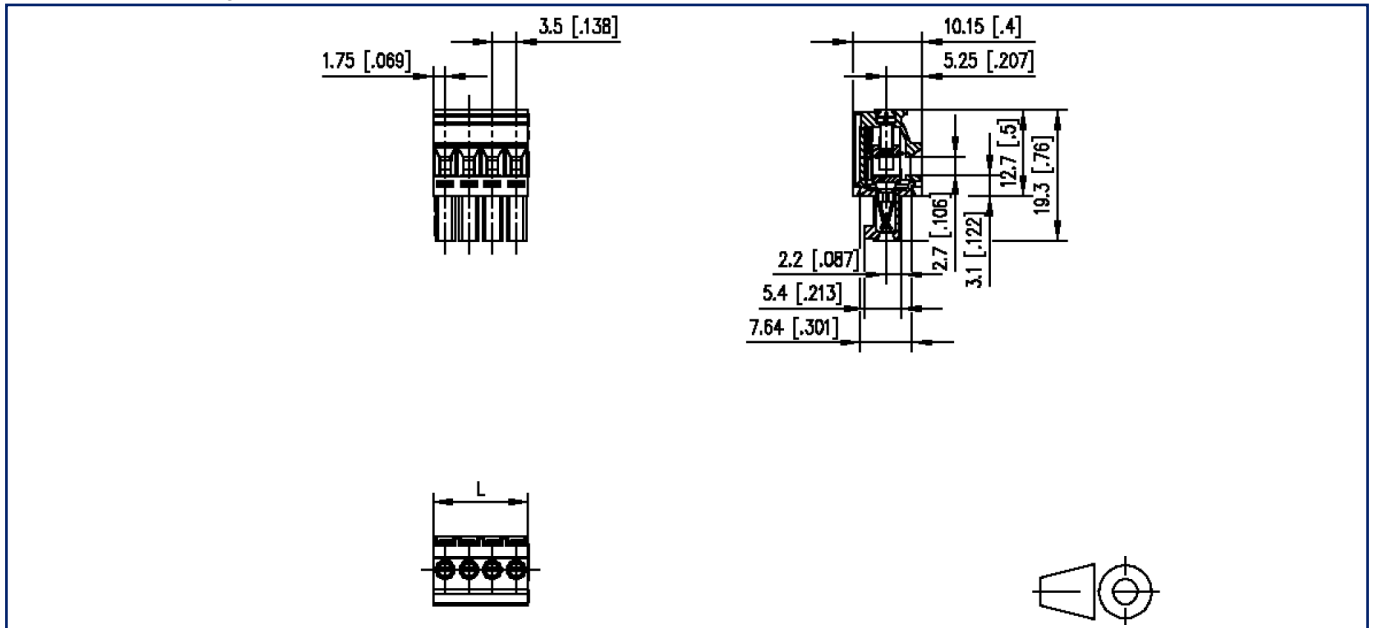
## Counterpart

P/N	Designation
311881	PR043xxHBBN Typ 188
311891	PR043xxVBBN Typ 189
313421	PT093xxHBBN Typ 342
313431	PT093xxVBBN Typ 343



## Illustrations

Dimensional drawing



$L = (\text{pole size} - 1) \times \text{centerline} + 3.5 \text{ mm} [0.138]$