



## Product Change Notification - ASER-18GLCT091

---

**Date:**

18 Mar 2020

**Product Category:**

Memory

**Affected CPNs:****Notification subject:**

CCB 4193 Final Notice: Qualification of MTAI as a new final test site for selected SST25VF016B-50xxx products available in 8L SOIJ (5.4x5.4x2.16mm) package.

**Notification text:****PCN Status:**

Final notification.

**PCN Type:**

Manufacturing Change

**Microchip Parts Affected:**

Please open one of the icons found in the Affected CPNs section above.

NOTE: For your convenience Microchip includes identical files in two formats (.pdf and .xls).

**Description of Change:**

Qualification of MTAI as a new final test site for selected SST25VF016B-50xxx products available in 8L SOIJ (5.4x5.4x2.16mm) package.

**Pre Change:**

Tested at KYE final test site.

**Post Change:**

Tested at MTAI final test site

**Pre and Post Change Summary:**

		Pre Change	Post Change
Final Test Site		King Yuan Electronics Company, Limited (KYE)	Microchip Technology Thailand (HQ) (MTAI)
Base Quantity Multiple (BQM)	Tape and Reel	2100	2100
	Tube	90	90
Pin 1 Orientation	Tape and Reel	Quadrant 1	Quadrant 1
	Tube	See pre and post change comparison	
Reel Color		Dark Blue	Dark Blue
Carrier Tape Dimensions		See pre and post change comparison	
Reel Dimensions		See pre and post change comparison	



<b>Packing Method</b>	See pre and post change comparison
-----------------------	------------------------------------

**Impacts to Data Sheet:**

None

**Change Impact:**

None

**Reason for Change:**

To improve manufacturability by qualifying MTAI as a new final test site.

**Change Implementation Status:**

In Progress

**Estimated First Ship Date:**

March 23, 2020 (date code: 2013)

NOTE: Please be advised that after the estimated first ship date customers may receive pre and post change parts.

**Time Table Summary:**

	March 2020				
Workweek	10	11	12	13	14
Final PCN Issue Date			X		
Estimated Implementation Date				X	

**Method to Identify Change:**

Traceability code

**Qualification Report:**

Upon request, please contact your local sales office to request.

**Revision History:**

**March 18, 2019:** Issued final notification.

The change described in this PCN does not alter Microchip's current regulatory compliance regarding the material content of the applicable products.

**Attachment(s):**

[PCN\\_4193\\_Pre\\_and\\_Post\\_Change.pdf](#)

Please contact your local [Microchip sales office](#) with questions or concerns regarding this notification.

**Terms and Conditions:**

If you wish to receive Microchip PCNs via email please register for our PCN email service at our [PCN home page](#) select register then fill in the required fields. You will find instructions about registering for Microchips PCN email service in the [PCN FAQ](#) section.



If you wish to change your PCN profile, including opt out, please go to the [PCN home page](#) select login and sign into your myMicrochip account. Select a profile option from the left navigation bar and make the applicable selections.

Affected Catalog Part Numbers (CPN)

SST25VF016B-50-4C-S2AF

SST25VF016B-50-4I-S2AF

SST25VF016B-50-4I-S2AF-GYR

SST25VF016B-50-4C-S2AF-T

SST25VF016B-50-4I-S2AF-T

SST25VF016B-50-4I-S2AF-GYR-T



**MICROCHIP**

**Qualification of MTAI as a new final test site for  
selected SST25VF016B-50xxx products available  
in 8L SOIJ (5.4x5.4x2.16mm) package.**

**CCB 4193**

**March 18, 2020**



# PRE AND POST CHANGE

MEDIA	CPN
TUBE	SST25VF016B-50-4C-S2AF
TUBE	SST25VF016B-50-4I-S2AF
TUBE	SST25VF016B-50-4I-S2AF-GYR
T/R	SST25VF016B-50-4C-S2AF-T
T/R	SST25VF016B-50-4I-S2AF-T
T/R	SST25VF016B-50-4I-S2AF-GYR-T

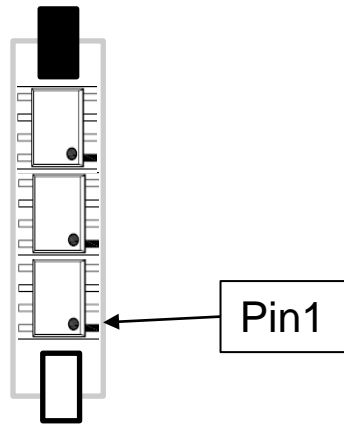


# PRE AND POST CHANGE

Item	Description	Media	KYE	MTHAI	GAP	Remark
1	BQM and Pin1 Orientation	TUBE	BQM: 90 See slide 4	BQM: 90 See slide 4	No	
2		T/R	BQM: 2100 Quadrant 1	BQM: 2100 Quadrant 1	No	
3	Tube drawing	TUBE	See slide 6	See slide 6	Yes	See minor GAP on slide 6
4	Tube packing method	TUBE	See slide 7	See slide 7	Yes	See minor GAP on slide 7
5	Carrier Tape Drawing	T/R	See slide 8	See slide 8	Yes	See minor GAP on slide 8
6	Cover Tape Drawing	T/R	See slide 9	See slide 9	Yes	See minor GAP on slide 9
7	Plastic Reel Drawing	T/R	See slide 10	See slide 10	Yes	See minor GAP on slide 10
8	T/R packing method	T/R	See slide 11	See slide 11	Yes	See minor GAP on slide 11

# PRE AND POST CHANGE

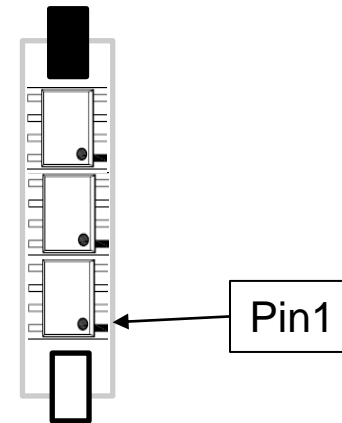
## KYE



Media	Unit/ Tube	Tubes /Bag	Units/Box
TUBE	90	50	4500

Media	Pin1 Side	Opposite Side
TUBE	White	Black

## MTHAI



Media	Unit/ Tube	Tubes /Bag	Units/Box
TUBE	90	50	4500

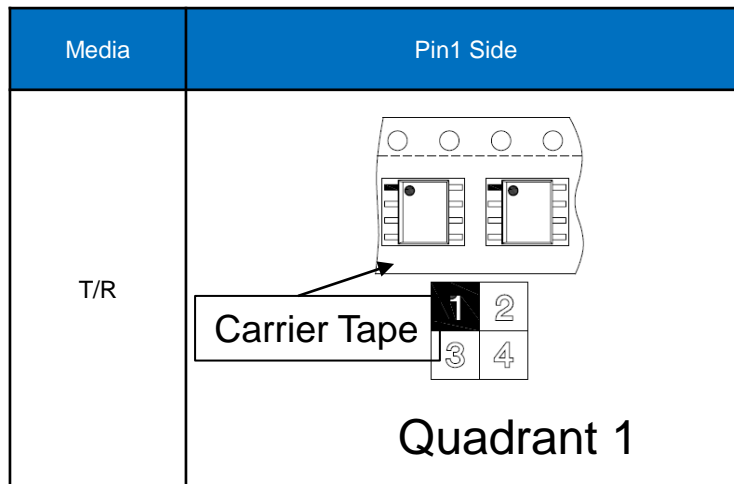
Media	Pin1 Side	Opposite Side
TUBE	White	Black



# PRE AND POST CHANGE

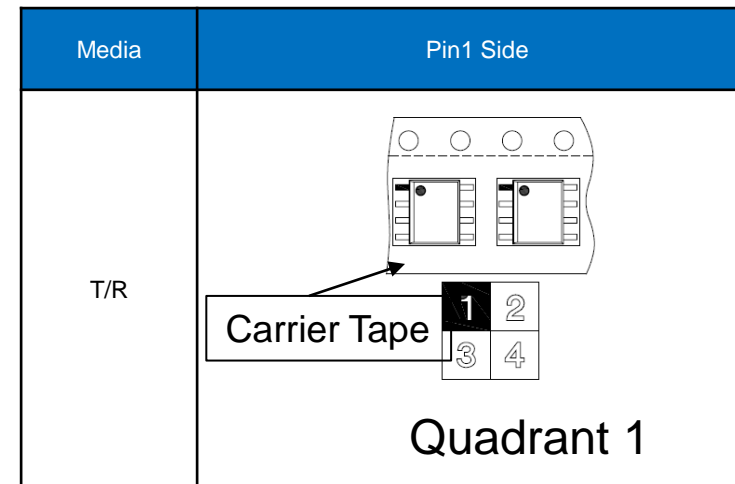
## KYE

Media	Reel/Bag	Unit/Reel
T/R	1	2100



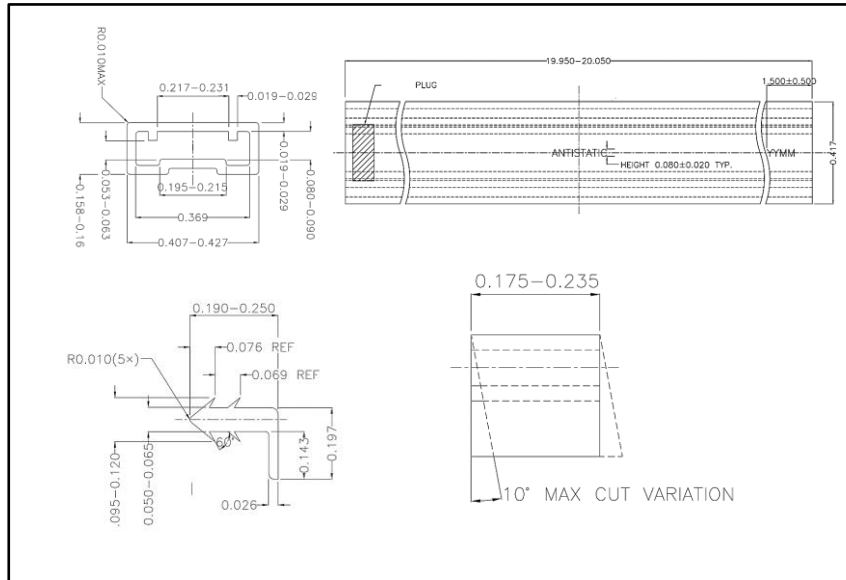
## MTHAI

Media	Reel/Bag	Unit/Reel
T/R	1	2100



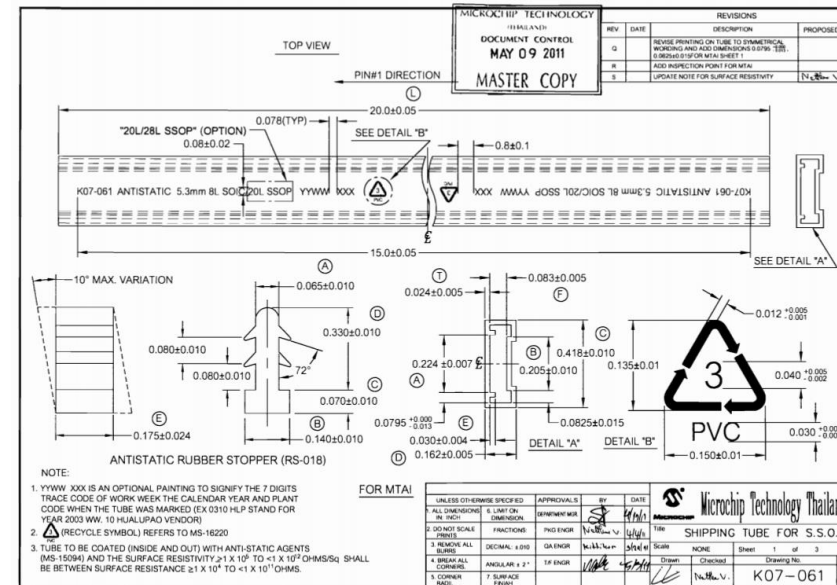
# PRE AND POST CHANGE

## KYE



Tube Length	Dimension	Color
20.00 +/-0.05 inch	See on drawing	Clear

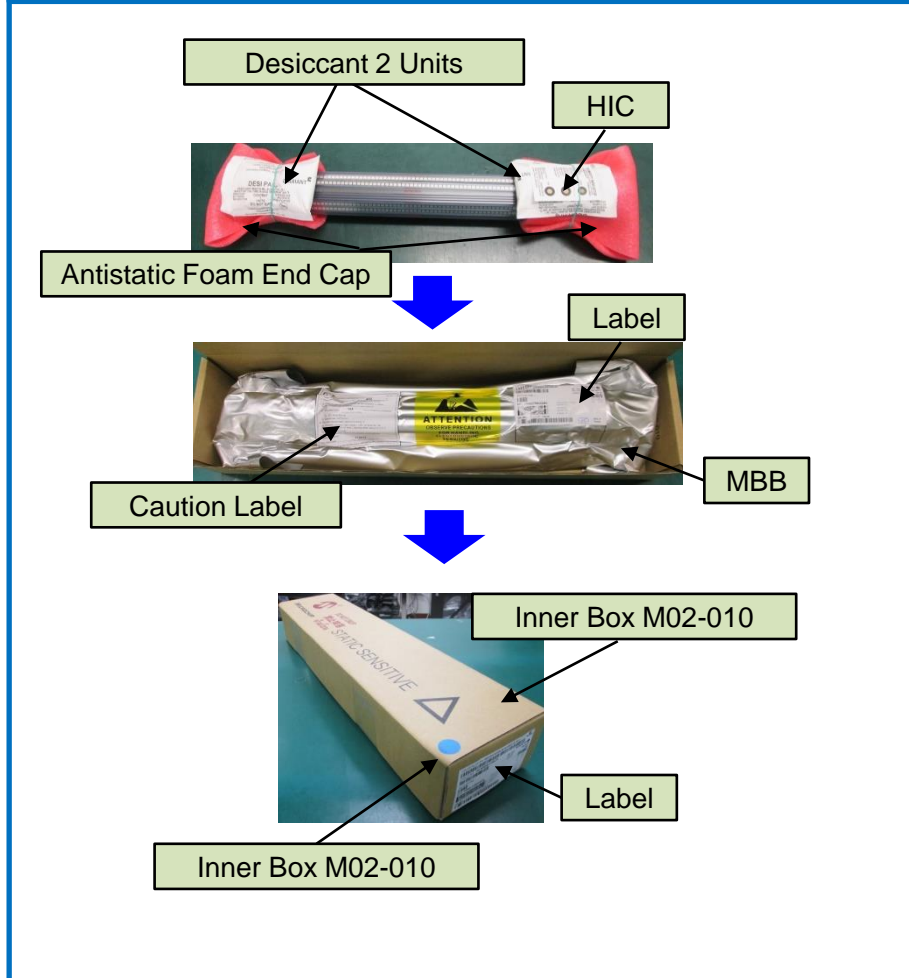
## MTHAI



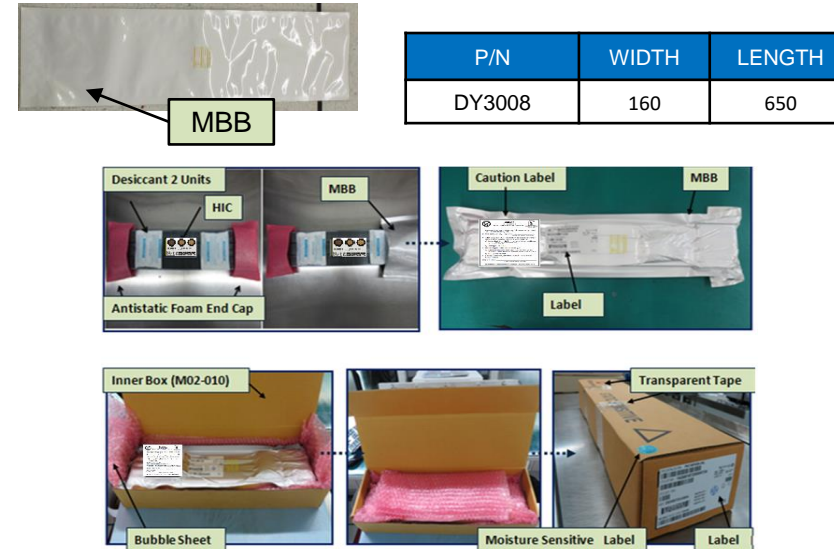
Tube Length	Dimension	Color
20.00 +/-0.05 inch	See on drawing	Clear

# PRE AND POST CHANGE

## KYE



## MTHAI

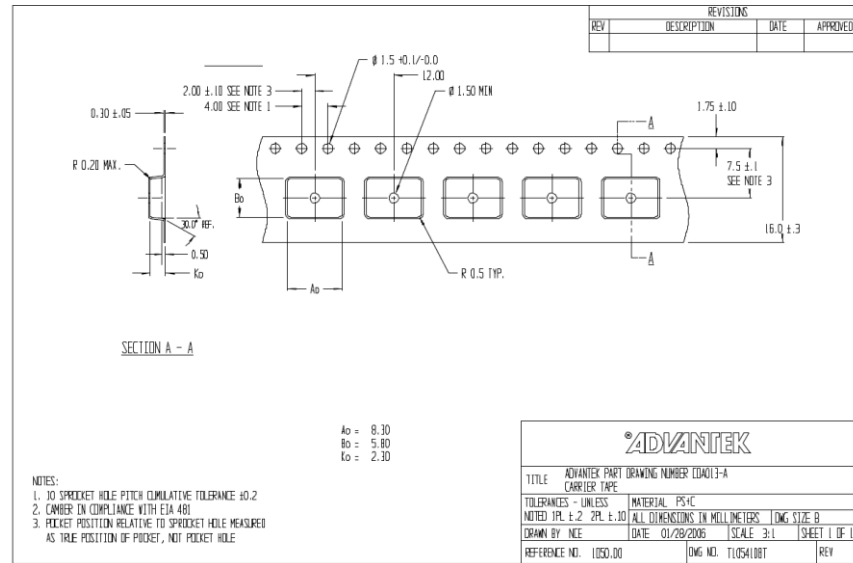


P/N	WIDTH	LENGTH
DY3008	160	650

Drawing number	Dimension W x L x H (cm)	Outer Box		Number of Inner box(es) per carton
		Drawing number	Dimension W x L x H (cm)	
M02-010	12.9x56.5x8	M01-022 (PP)	15.5x62.0x14.0	1 per 1
		M01-028 (C4)	28x63.5x11	2 per 1
		M01-029 (C6)	28x63.5x15.5	3 per 1
		M01-030 (C8)	28x63.5x20	4 per 1
		M01-040 (S6)	43x59x19	6 per 1

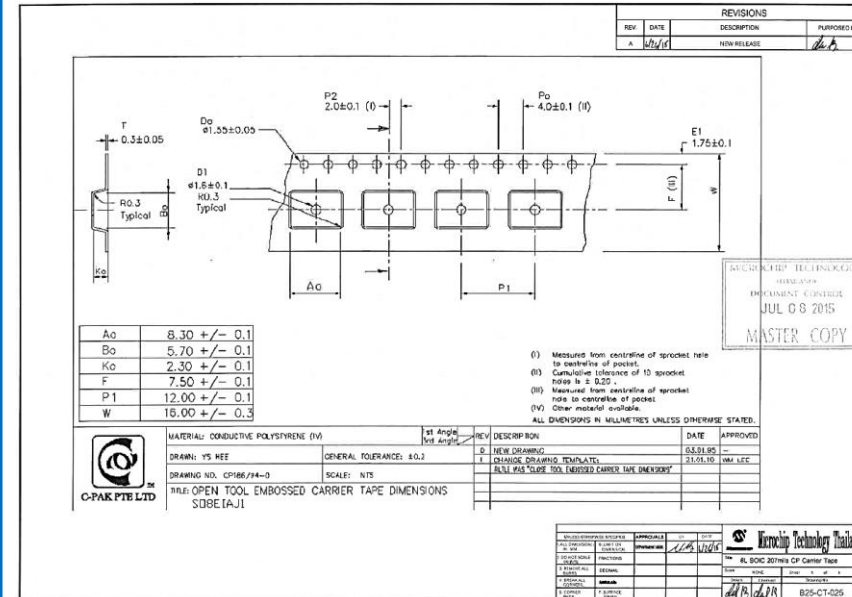
# PRE AND POST CHANGE

## KYE



Supplier	Mfg. Part No.	W (mm.) $\pm 0.3$ or Specific	P (mm.) $\pm 0.1$ or Specific	$A_0 \pm 0.1$ or Specific	$B_0 \pm 0.1$ or Specific	$K_0 \pm 0.1$ or Specific	Thickne ss
Advantek	CDA013-AC410	16	12	8.30	5.80	2.30	0.30 +/- 0.05

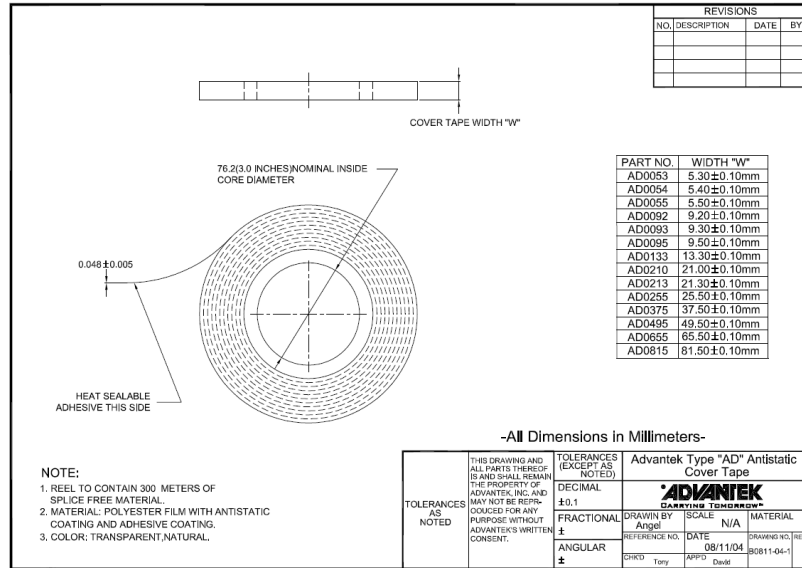
## MTHAI



Supplier	Mfg. Part No.	W (mm.) $\pm 0.3$ or Specific	P (mm.) $\pm 0.1$ or Specific	$A_0 \pm 0.1$ or Specific	$B_0 \pm 0.1$ or Specific	$K_0 \pm 0.1$ or Specific	Thickne ss
C-PAK	SO8EIAJ1 CL3 18x6CY L260 W16	16	12	8.30	5.70	2.30	0.30 +/- 0.05

# PRE AND POST CHANGE

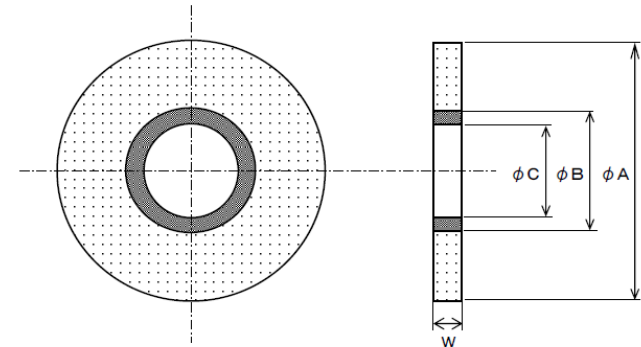
## KYE



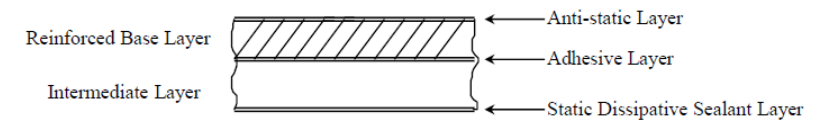
本圖有紅色 "CONTROLLED DOCUMENT" 印章之圖面為製本，皆為 "UNCONTROLLED DOCUMENT" 文件，使用前，請先確定其有效性，未經許可，請勿隨意複製。

Carrier Width	Supplier	Supplier Part	Width "W" (mm)	Thickness (mm)	Sealing Mythology
16mm	Advantek	AD0133	13.30 +/- 0.10	0.048 ±0.005	Heat seal

## MTHAI



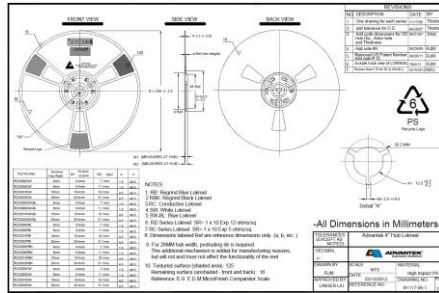
### STRUCTURE



Carrier Width	Supplier	Supplier Part	Width "W" (mm)	Thickness (mm)	Sealing Mythology
16mm	Sumitomo	CSL-Z7302	13.30 +/- 0.10	0.050 ±0.010	Heat seal

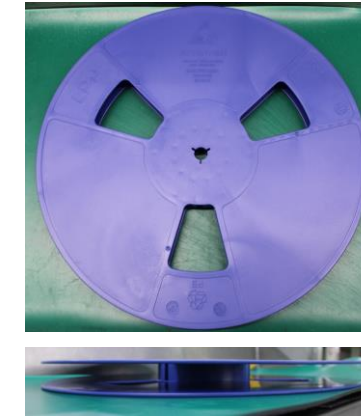
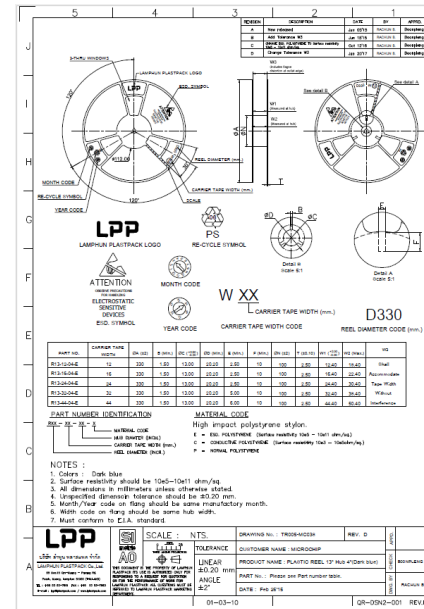
# PRE AND POST CHANGE

## KYE



Width	Supplier	Diameter	Supplier Part	Hub	Color
16mm	Advantek	330mm +/- 2.0mm	R13-16-04-E	4inch (102 +/- 0.2mm)	Dark Blue

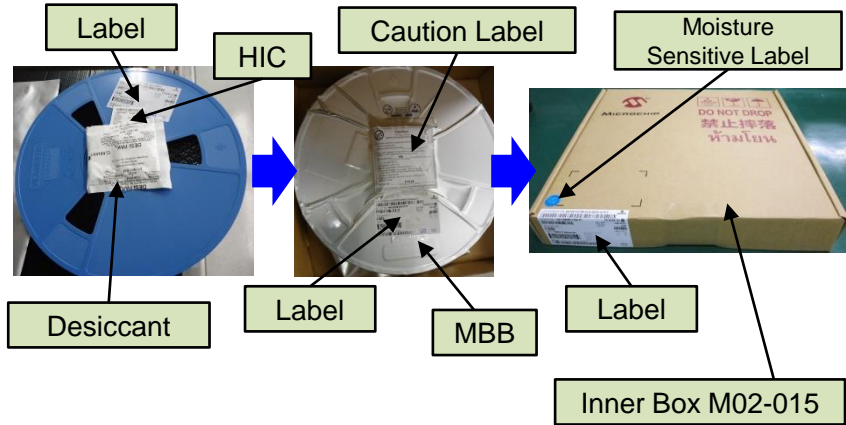
## MTHAI



Width	Supplier	Diameter	Supplier Part	Hub	Color
16mm	LPP	330mm +/- 2.0mm	R13-16-04-E	4inch (100mm +/- 0.2mm)	Dark Blue

# PRE AND POST CHANGE

## KYE



### Outer Box



(Side)



(Other Side)

## MTHAI

P/N	WIDTH	LENGTH
DY3008	370	420

Drawing number	Inner box		Outer Box		Number of Inner box(es) per carton
	Dimension		Dimension		
	W x L x H (cm)		W x L x H (cm)		
M02-015 (Small)			M01-044 (SM)	37.0x38.0x11.0	1 : 1
			M01-045 (S4)	37.0x38.0x22.5	3 : 1
			M01-046 (S5)	37.0x39.0x39.0	6 : 1
			M01-047 (S3)	42.0x66.0x39.0	11 : 1