



Product Change Notification - SYST-21IYHM507

Date: 24 Oct 2016
Product Category:
Affected CPNs:  
Notification subject: Data Sheet - MIC5891 Data Sheet
Notification text: SYST-21IYHM507

Microchip has released a new DeviceDoc for the MIC5891 Data Sheet of devices. If you are using one of these devices please read the document located at [MIC5891 Data Sheet](#).

Notification Status: Final

Description of Change: 1) Converted Micrel document MIC5891 to Microchip data sheet DS20005638A. 2) Minor text changes throughout. 3) Operating temperature range corrected in the Temperature Specifications section. 4) Maximum Saturation Voltage values updated in Table 1-2. 5) First Input Current maximum value updated in Table 1-2.

Impacts to Data Sheet: None

Reason for Change: To Improve Manufacturability

Change Implementation Status: Complete

Date Document Changes Effective: 24 Oct 2016

NOTE: Please be advised that this is a change to the document only the product has not been changed.

Markings to Distinguish Revised from Unrevised Devices: N/A

Attachment(s): [MIC5891 Data Sheet](#)

Please contact your local [Microchip sales office](#) with questions or concerns regarding this notification.

Terms and Conditions:

If you wish to change your product/process change notification (PCN) profile please log on to our website at

To opt out of future offer or information emails (other than product change notification emails), click here to go to [microchipDIRECT](#) and login, then click on the "My account" link, click on "Update profile" and un-check the box that states "Future offers or information about Microchip's products or services."

Affected Catalog Part Numbers (CPN)

MIC5891YWM-TR

MIC5891YWM

MIC5891YN

8-Bit Serial-Input Latched Source Driver

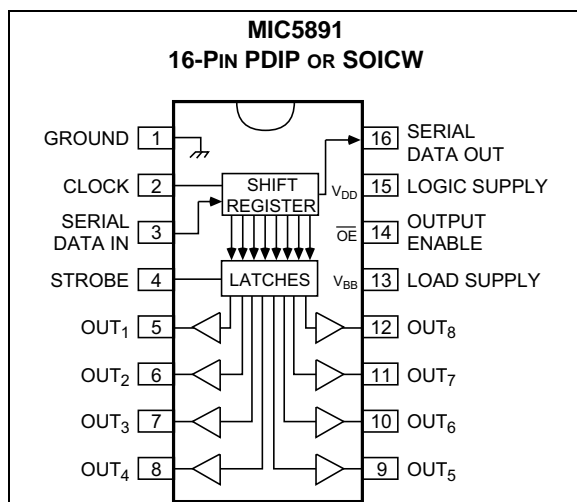
Features

- High-Voltage, High-Current Outputs
- Output Transient Protection Diodes
- CMOS-, PMOS-, NMOS-, and TTL-Compatible Inputs
- 5 MHz Typical Data Input Rate
- Low-Power CMOS Latches

Applications

- Alphanumeric and Bar Graph Displays
- LED and Incandescent Displays
- Relay and Solenoid Drivers
- Other High-Power Loads

Package Type



General Description

The MIC5891 latched driver is a high-voltage, high-current integrated circuit comprised of eight CMOS data latches, CMOS control circuitry for the common STROBE and OUTPUT ENABLE, and bipolar Darlington transistor drivers for each latch.

Bipolar/MOS construction provides extremely low power latches with maximum interface flexibility.

The MIC5891 will typically operate at 5 MHz with a 5V logic supply.

The CMOS inputs are compatible with standard CMOS, PMOS, and NMOS logic levels. TTL circuits may be used with appropriate pull-up resistors to ensure a proper logic-high input.

A CMOS serial data output allows additional drivers to be cascaded when more than 8 bits are required.

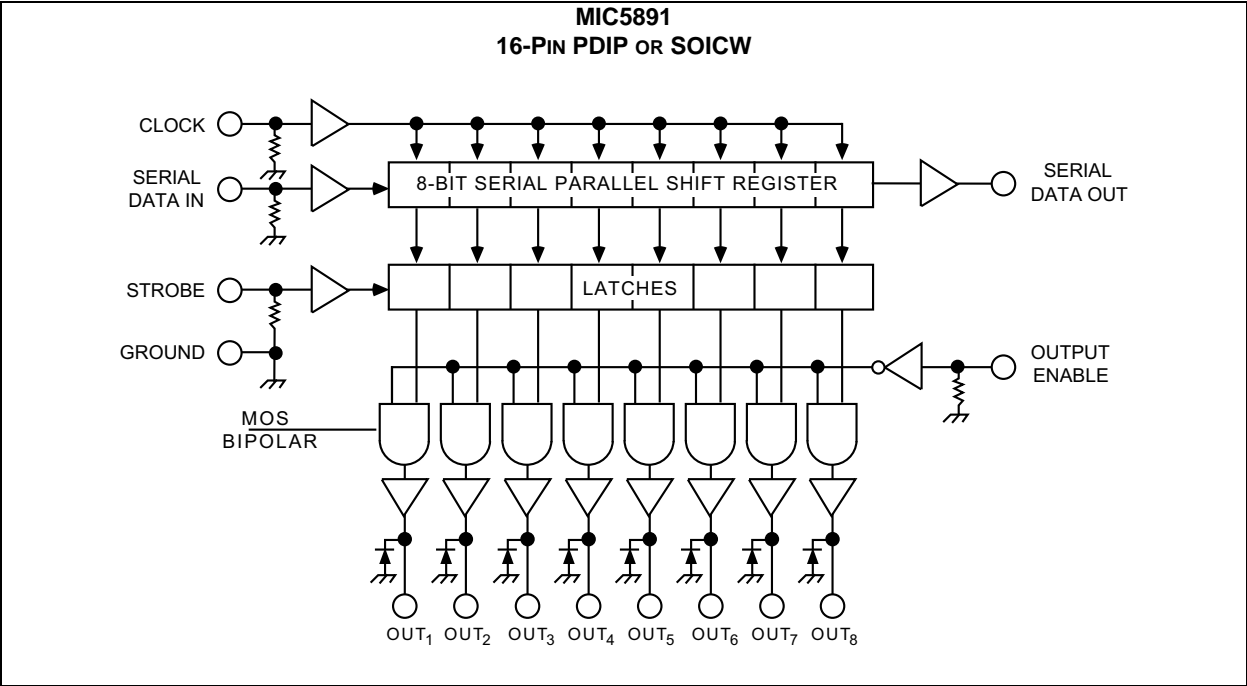
The MIC5891 has open-emitter outputs with suppression diodes for protection against inductive load transients. The output transistors are capable of sourcing 500 mA and will sustain at least 35V in the on-state.

Simultaneous operation of all drivers at maximum rated current requires a reduction in duty cycle due to package power limitations. Outputs may be paralleled for higher load current capability.

The MIC5891 is available in a 16-pin plastic DIP package (N) and 16-pin wide SOIC package (WM).

MIC5891

Functional Diagram



1.0 ELECTRICAL CHARACTERISTICS

Absolute Maximum Ratings † (Note 1, Note 2, Note 3)

Output Voltage (V_{OUT})	+50V
Logic Supply Voltage Range (V_{DD})	+4.5V to +15V
Load Supply Voltage Range (V_{BB})	+5.0V to +50V
Input Voltage Range (V_{IN})	-0.3V to ($V_{DD} + 0.3V$)
Continuous Collector Current (I_C)	500 mA
Package Power Dissipation	See Figure 2-1

† **Notice:** Stresses above those listed under “Absolute Maximum Ratings” may cause permanent damage to the device. This is a stress rating only and functional operation of the device at those or any other conditions above those indicated in the operational sections of this specification is not intended. Exposure to maximum rating conditions for extended periods may affect device reliability.

Note 1: $T_A = +25^\circ\text{C}$.

2: Derate at the rate of 20 mW/ $^\circ\text{C}$ above $T_A = +25^\circ\text{C}$.

3: Microchip CMOS devices have input-static protection, but are susceptible to damage when exposed to extremely high static electrical charges.

TABLE 1-1: ALLOWABLE DUTY CYCLES

Number of Outputs ON at $I_{OUT} = -200\text{ mA}$	Maximum Allowable Duty Cycles at a T_A of:		
	+50°C	+60°C	+70°C
8	53%	47%	41%
7	60%	54%	48%
6	70%	64%	56%
5	83%	75%	67%
4	100%	94%	84%
3	100%	100%	100%
2	100%	100%	100%
1	100%	100%	100%

MIC5891

TABLE 1-2: ELECTRICAL CHARACTERISTICS

Electrical Characteristics: $V_{BB} = 50V$, $V_{DD} = 5V$ to $12V$; $T_A = 25^\circ C$, unless noted. (Note 1).						
Parameters	Sym.	Min.	Typ.	Max.	Units	Conditions
Output Leakage Current	I_{CEX}	—	—	-50	μA	$T_A = +25^\circ C$
		—	—	-100	μA	$T_A = +85^\circ C$
Output Saturation Voltage	$V_{CE(SAT)}$	—	—	2.3	V	$I_{OUT} = -100$ mA, $T_A = +85^\circ C$
		—	—	2.4	V	$I_{OUT} = -225$ mA, $T_A = +85^\circ C$
		—	—	2.5	V	$I_{OUT} = -350$ mA, $T_A = +85^\circ C$
Output Sustaining Voltage	$V_{CE(SUS)}$	35	—	—	V	$I_{OUT} = -350$ mA, $L = 2$ mH
Input Voltage	$V_{IN(1)}$ $V_{IN(0)}$	3.5	—	$V_{DD}+0.3$	V	$V_{DD} = 5.0V$
		10.5	—	$V_{DD}+0.3$	V	$V_{DD} = 12V$
		$V_{SS}-0.3$	—	0.8	V	$V_{DD} = 5.0V$ to $12V$
Input Current	$I_{IN(1)}$	—	—	120	μA	$V_{DD} = V_{IN} = 5.0V$
		—	—	240	μA	$V_{DD} = 12V$
Input Impedance	Z_{IN}	100	—	—	k Ω	$V_{DD} = 5.0V$
		50	—	—	k Ω	$V_{DD} = 12V$
Maximum Clock Frequency	f_c	3.3	—	—	MHz	—
Serial Data Output Resistance	R_{OUT}	—	—	20	k Ω	$V_{DD} = 5.0V$
		—	—	6.0	k Ω	$V_{DD} = 12V$
Turn-On Delay	t_{PLH}	—	—	2.0	μs	Output Enable to Output, $I_{OUT} = -350$ mA
Turn-Off Delay	t_{PHL}	—	—	10	μs	Output Enable to Output, $I_{OUT} = -350$ mA
Supply Current	I_{BB}	—	—	10	mA	All outputs on, all outputs open
		—	—	200	μA	All outputs off
	I_{DD}	—	—	100	μA	$V_{DD} = 5V$, all outputs off, inputs = 0V
		—	—	200	μA	$V_{DD} = 12V$, all outputs off, inputs = 0V
		—	—	1.0	mA	$V_{DD} = 5V$, one output on, inputs = 0V
Diode Leakage Current	I_H	—	—	50	μA	$T_A = +25^\circ C$; Max. V_{BB}
		—	—	100	μA	$T_A = +85^\circ C$; Max. V_{BB}
Diode Forward Voltage	V_F	—	—	2.0	V	$I_F = 350$ mA; V_{BB} open

Note 1: Specification for packaged product only.

2: Positive (negative) current is defined as going into (coming out of) the specified device pin.

3: Operation of these devices with standard TTL may require the use of appropriate pull-up resistors.

TEMPERATURE SPECIFICATIONS

Parameters	Sym.	Min.	Typ.	Max.	Units	Conditions
Temperature Ranges						
Operating Temperature Range	T_A	-40	—	+85	°C	Note 1
Storage Temperature Range	T_S	-65	—	+150	°C	—

Note 1: The maximum allowable power dissipation is a function of ambient temperature, the maximum allowable junction temperature and the thermal resistance from junction to air (i.e., T_A , T_J , θ_{JA}). Exceeding the maximum allowable power dissipation will cause the device operating junction temperature to exceed the maximum +125°C rating. Sustained junction temperatures above +125°C can impact the device reliability.

Typical Circuits

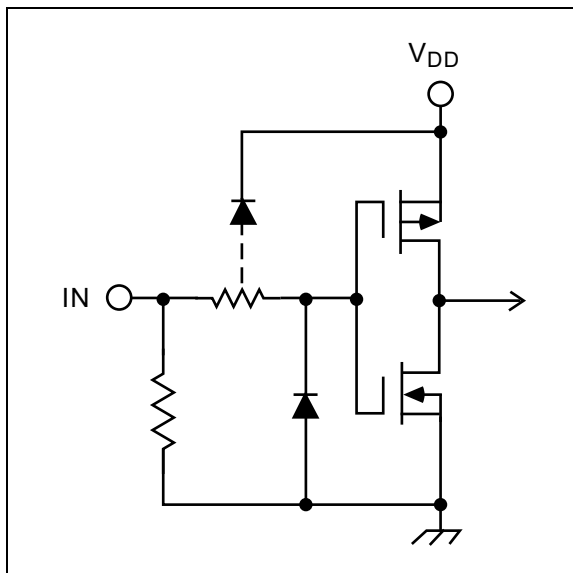


FIGURE 1-1: Typical Input Circuit

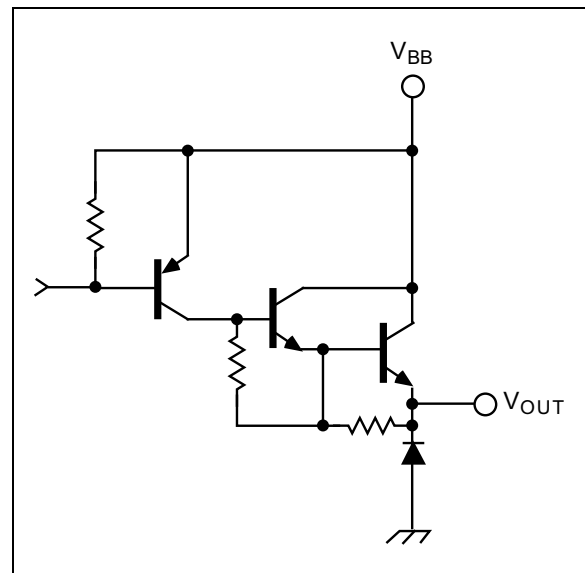


FIGURE 1-2: Typical Output Circuit.

MIC5891

2.0 TYPICAL PERFORMANCE CURVES

Note: The graphs and tables provided following this note are a statistical summary based on a limited number of samples and are provided for informational purposes only. The performance characteristics listed herein are not tested or guaranteed. In some graphs or tables, the data presented may be outside the specified operating range (e.g., outside specified power supply range) and therefore outside the warranted range.

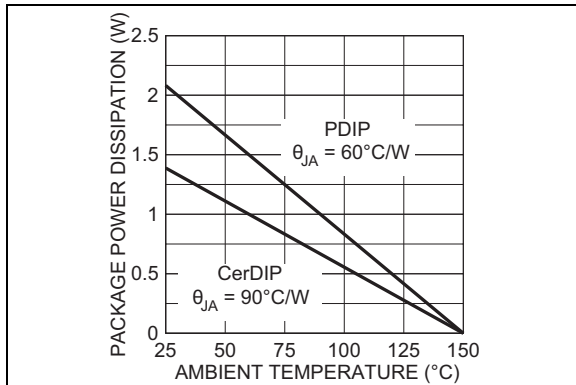


FIGURE 2-1: Allowable Package Power Dissipation vs. Temperature.

3.0 TIMING CONDITIONS

The descriptions of the timing conditions are listed below [Figure 3-1](#).

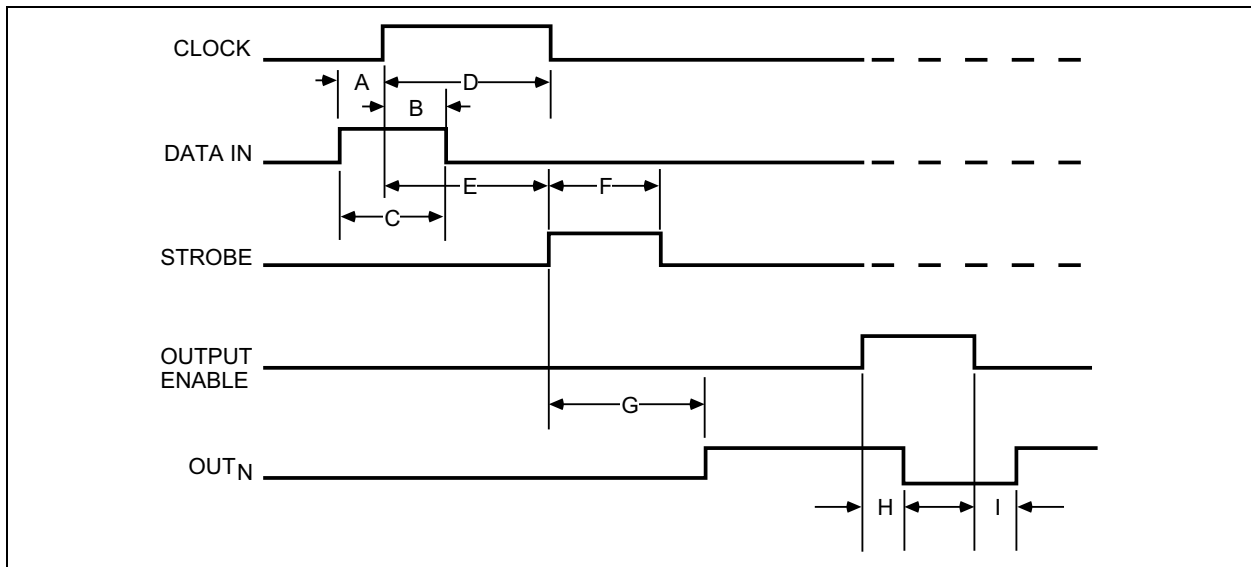


FIGURE 3-1: Timing Conditions.

TABLE 3-1: TIMING CONDITIONS PARAMETERS

V _{DD} = 5.0V, Logic levels are V _{DD} and ground.		
Reference	Parameter	Value
A	Minimum data active time before clock pulse (data set-up time)	75 ns
B	Minimum data active time after clock pulse (data hold time)	75 ns
C	Minimum data pulse width	150 ns
D	Minimum clock pulse width	150 ns
E	Minimum time between clock activation and strobe	300 ns
F	Minimum strobe pulse width	100 ns
G	Typical time between strobe activation and output transition	1.0 μs
H	Turn-off delay	See Electrical Characteristics
I	Turn-on delay	See Electrical Characteristics

TABLE 3-2: TRUTH TABLE

Serial Data Input	Clock Input	Shift Register Contents	Serial Data Output	Strobe Input	Latch Contents	Output Enable	Output Content
		I ₁ I ₂ I ₃ ... I _{N-1} I _N			I ₁ I ₂ I ₃ ... I _{N-1} I _N		I ₁ I ₂ I ₃ ... I _{N-1} I _N
H		H R ₁ R ₂ ... R _{N-2} R _{N-1}	R _{N-1}	—	—	—	—
L		L R ₁ R ₂ ... R _{N-2} R _{N-1}	R _{N-1}				
X		R ₁ R ₂ R ₃ ... R _{N-1} R _N	R _N				
—	—	X X X ... X X	X	L	R ₁ R ₂ R ₃ ... R _{N-1} R _N	L	P ₁ P ₂ P ₃ ... P _{N-1} P _N
		P ₁ P ₂ P ₃ ... P _{N-1} P _N	P _N	H	P ₁ P ₂ P ₃ ... P _{N-1} P _N		
		—	—	—	X X X ... X X		

L = Low Logic Level, H = High Logic Level, X = Irrelevant, P = Present State, R = Previous State.

4.0 APPLICATION INFORMATION

Serial data present at the input is transferred into the shift register on the rising edge of the CLOCK input pulse. Additional CLOCK pulses shift data information towards the SERIAL DATA OUTPUT. The serial data must appear at the input prior to the rising edge of the CLOCK input waveform.

The 8 bits present in the shift register are transferred to the respective latches when the STROBE is high (serial-to-parallel conversion). The latches will continue to accept new data as long as the STROBE is held high. Most applications where the latching feature is not used (STROBE tied high) require the OUTPUT ENABLE input to be high during serial data entry.

Outputs are active (controlled by the latch state) when the OUTPUT ENABLE is low. All outputs are low (disabled) when the OUTPUT ENABLE is high. OUTPUT ENABLE does not affect the data in the shift register or latch.

5.0 PACKAGING INFORMATION

5.1 Package Marking Information

16-Pin PDIP*



Example



16-Pin SOICW*



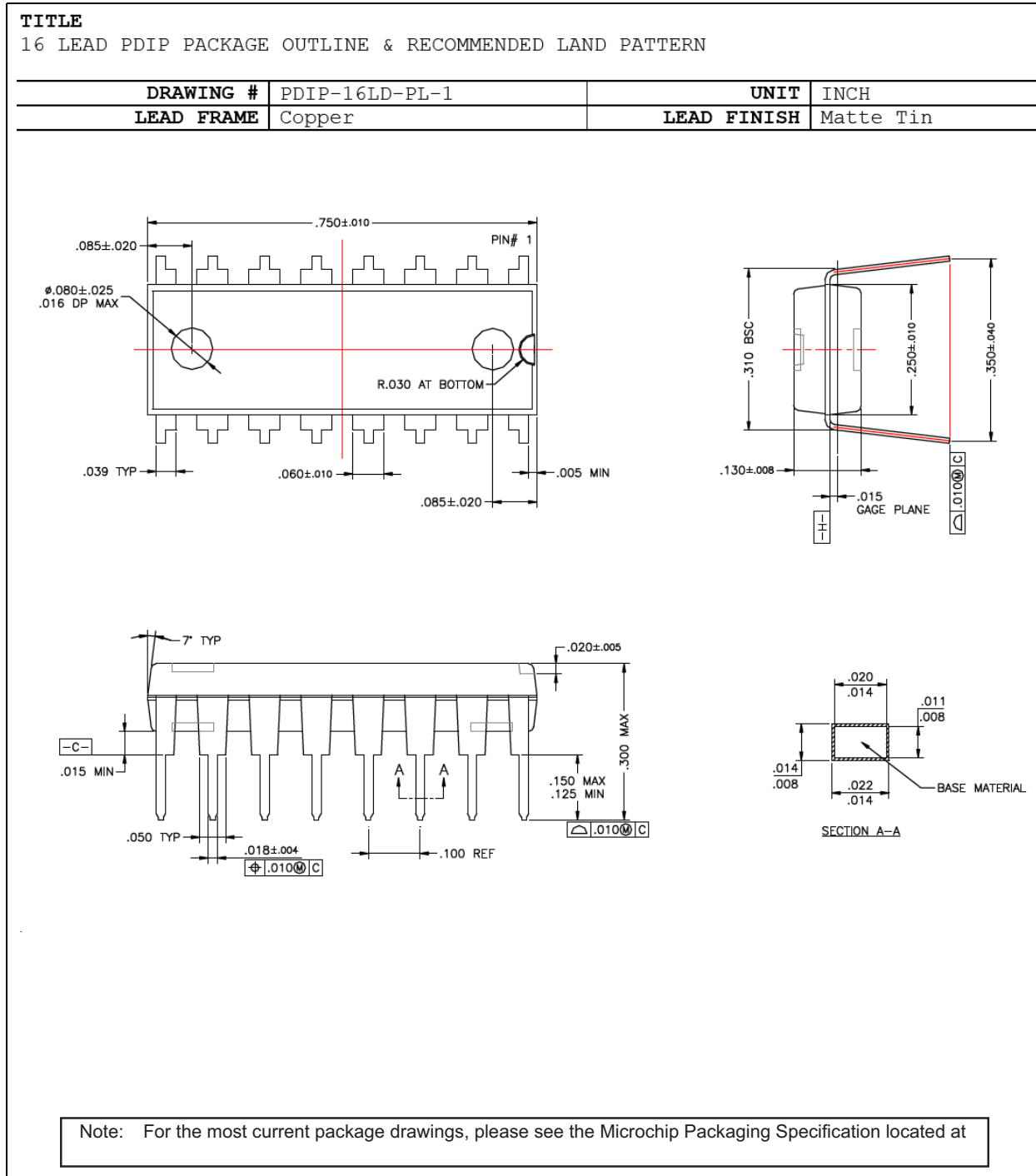
Example



Legend:	XX...X	Product code or customer-specific information
	Y	Year code (last digit of calendar year)
	YY	Year code (last 2 digits of calendar year)
	WW	Week code (week of January 1 is week '01')
	NNN	Alphanumeric traceability code
	(e3)	Pb-free JEDEC® designator for Matte Tin (Sn)
	*	This package is Pb-free. The Pb-free JEDEC designator (e3) can be found on the outer packaging for this package.
	•, ▲, ▼	Pin one index is identified by a dot, delta up, or delta down (triangle mark).
Note:	In the event the full Microchip part number cannot be marked on one line, it will be carried over to the next line, thus limiting the number of available characters for customer-specific information. Package may or may not include the corporate logo.	
	Underbar (¯) and/or Overbar (¯) symbol may not be to scale.	

MIC5891

16-Lead PDIP Package Outline and Recommended Land Pattern

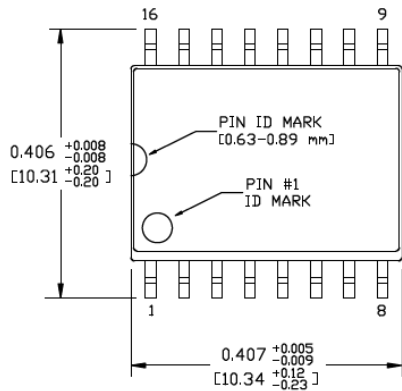


16-Lead SOICW Package Outline and Recommended Land Pattern

TITLE

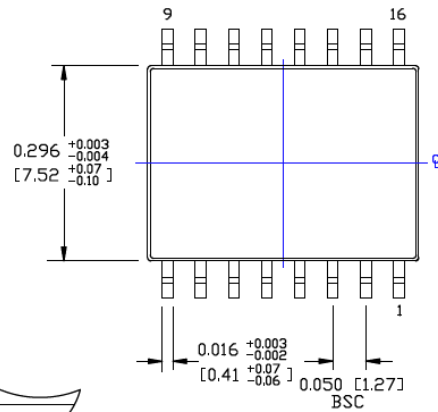
16 LEAD SOICW PACKAGE OUTLINE & RECOMMENDED LAND PATTERN

DRAWING #	SOICW-16LD-PL-1	UNIT	INCH [MM]
-----------	-----------------	------	-----------



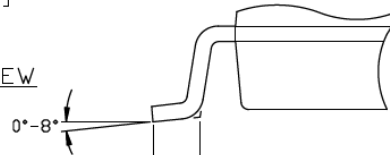
TOP VIEW

NOTE - 1, 2

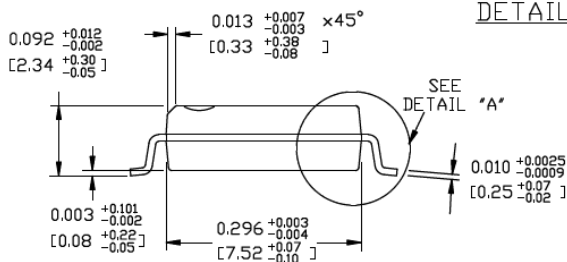


BOTTOM VIEW

NOTE - 1, 2

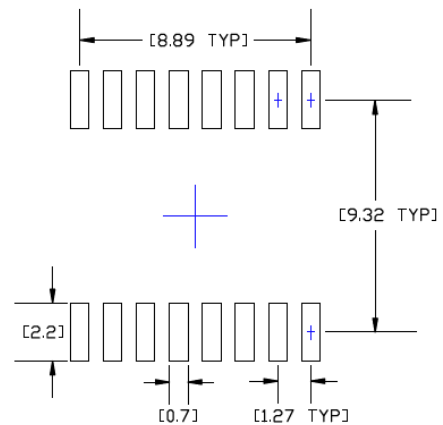


DETAIL "A"



END VIEW

NOTE - 1, 2, 3



RECOMMENDED LAND PATTERN

NOTES:

1. DIMENSIONS ARE IN INCHES[MM].
2. CONTROLLING DIMENSION: INCHES.
3. DIMENSION DOES NOT INCLUDE MOLD FLASH OR PROTRUSIONS, EITHER OF WHICH SHALL NOT EXCEED 0.006[0.15] PER SIDE.

Note: For the most current package drawings, please see the Microchip Packaging Specification located at

MIC5891

NOTES:

APPENDIX A: REVISION HISTORY

Revision A (October 2016)

- Converted Micrel document MIC5891 to Microchip data sheet DS20005638A.
- Minor text changes throughout.
- Operating temperature range corrected in the [Temperature Specifications](#) section.
- Maximum Saturation Voltage values updated in [Table 1-2](#).
- First Input Current maximum value updated in [Table 1-2](#).

MIC5891

NOTES:

PRODUCT IDENTIFICATION SYSTEM

To order or obtain information, e.g., on pricing or delivery, contact your local Microchip representative or sales office.

<u>PART NO.</u>		X	XX	-	XX
Device	Junction Temperature Range	Package	Media Type		
Device:	MIC5891:	8-Bit Serial-Input Latched Source Driver			
Junction Temperature Range:	Y =	-40°C to +85°C			
Package:	N =	16-Lead PDIP			
	WM =	16-Lead SOICW			
Media Type:	TR =	1,000/Reel for WM Package			
	(blank)=	25/Tube for N Package			
	(blank)=	47/Tube for WM Package			

Examples:	
a) MIC5891YN:	8-Bit Serial-Input Latched Source Driver, -40°C to +85°C Junction Temperature Range, 16-Lead PDIP, 25/Tube
a) MIC5891YWM:	8-Bit Serial-Input Latched Source Driver, -40°C to +85°C Junction Temperature Range, 16-Lead SOICW, 47/Tube
a) MIC5891YWM-TR:	8-Bit Serial-Input Latched Source Driver, -40°C to +85°C Junction Temperature Range, 16-Lead SOICW, 1,000/Reel

MIC5891

NOTES:

Note the following details of the code protection feature on Microchip devices:

- Microchip products meet the specification contained in their particular Microchip Data Sheet.
- Microchip believes that its family of products is one of the most secure families of its kind on the market today, when used in the intended manner and under normal conditions.
- There are dishonest and possibly illegal methods used to breach the code protection feature. All of these methods, to our knowledge, require using the Microchip products in a manner outside the operating specifications contained in Microchip's Data Sheets. Most likely, the person doing so is engaged in theft of intellectual property.
- Microchip is willing to work with the customer who is concerned about the integrity of their code.
- Neither Microchip nor any other semiconductor manufacturer can guarantee the security of their code. Code protection does not mean that we are guaranteeing the product as “unbreakable.”

Code protection is constantly evolving. We at Microchip are committed to continuously improving the code protection features of our products. Attempts to break Microchip's code protection feature may be a violation of the Digital Millennium Copyright Act. If such acts allow unauthorized access to your software or other copyrighted work, you may have a right to sue for relief under that Act.

Information contained in this publication regarding device applications and the like is provided only for your convenience and may be superseded by updates. It is your responsibility to ensure that your application meets with your specifications. MICROCHIP MAKES NO REPRESENTATIONS OR WARRANTIES OF ANY KIND WHETHER EXPRESS OR IMPLIED, WRITTEN OR ORAL, STATUTORY OR OTHERWISE, RELATED TO THE INFORMATION, INCLUDING BUT NOT LIMITED TO ITS CONDITION, QUALITY, PERFORMANCE, MERCHANTABILITY OR FITNESS FOR PURPOSE. Microchip disclaims all liability arising from this information and its use. Use of Microchip devices in life support and/or safety applications is entirely at the buyer's risk, and the buyer agrees to defend, indemnify and hold harmless Microchip from any and all damages, claims, suits, or expenses resulting from such use. No licenses are conveyed, implicitly or otherwise, under any Microchip intellectual property rights unless otherwise stated.

Microchip received ISO/TS-16949:2009 certification for its worldwide headquarters, design and wafer fabrication facilities in Chandler and Tempe, Arizona; Gresham, Oregon and design centers in California and India. The Company's quality system processes and procedures are for its PIC® MCUs and dsPIC® DSCs, KEELoc® code hopping devices, Serial EEPROMs, microperipherals, nonvolatile memory and analog products. In addition, Microchip's quality system for the design and manufacture of development systems is ISO 9001:2000 certified.

**QUALITY MANAGEMENT SYSTEM
CERTIFIED BY DNV
= ISO/TS 16949 =**

Trademarks

The Microchip name and logo, the Microchip logo, AnyRate, dsPIC, FlashFlex, flexPWR, Heldo, JukeBlox, KeeLoq, KeeLoq logo, Klear, LANCheck, LINK MD, MediaLB, MOST, MOST logo, MPLAB, OptoLyzer, PIC, PICSTART, PIC32 logo, RightTouch, SpyNIC, SST, SST Logo, SuperFlash and UNI/O are registered trademarks of Microchip Technology Incorporated in the U.S.A. and other countries.

ClockWorks, The Embedded Control Solutions Company, ETHERSYNCH, Hyper Speed Control, HyperLight Load, IntelliMOS, mTouch, Precision Edge, and QUIET-WIRE are registered trademarks of Microchip Technology Incorporated in the U.S.A.

Analog-for-the-Digital Age, Any Capacitor, AnyIn, AnyOut, BodyCom, chipKIT, chipKIT logo, CodeGuard, dsPICDEM, dsPICDEM.net, Dynamic Average Matching, DAM, ECAN, EtherGREEN, In-Circuit Serial Programming, ICSP, Inter-Chip Connectivity, JitterBlocker, KlearNet, KlearNet logo, MiWi, motorBench, MPASM, MPF, MPLAB Certified logo, MPLIB, MPLINK, MultiTRAK, NetDetach, Omniscient Code Generation, PICDEM, PICDEM.net, PICkit, PICtail, PureSilicon, RightTouch logo, REAL ICE, Ripple Blocker, Serial Quad I/O, SQL, SuperSwitcher, SuperSwitcher II, Total Endurance, TSHARC, USBCheck, VariSense, ViewSpan, WiperLock, Wireless DNA, and ZENA are trademarks of Microchip Technology Incorporated in the U.S.A. and other countries.

SQTP is a service mark of Microchip Technology Incorporated in the U.S.A.

Silicon Storage Technology is a registered trademark of Microchip Technology Inc. in other countries.

GestIC is a registered trademarks of Microchip Technology Germany II GmbH & Co. KG, a subsidiary of Microchip Technology Inc., in other countries.

All other trademarks mentioned herein are property of their respective companies.

© 2016, Microchip Technology Incorporated, Printed in the U.S.A., All Rights Reserved.

ISBN: 978-1-5224-1034-8



MICROCHIP

Worldwide Sales and Service

AMERICAS

Corporate Office
2355 West Chandler Blvd.
Chandler, AZ 85224-6199
Tel: 480-792-7200
Fax: 480-792-7277
Technical Support:

Web Address:

*

Atlanta
Duluth, GA
Tel: 678-957-9614
Fax: 678-957-1455

Austin, TX
Tel: 512-257-3370

Boston
Westborough, MA
Tel: 774-760-0087
Fax: 774-760-0088

Chicago
Itasca, IL
Tel: 630-285-0071
Fax: 630-285-0075
Cleveland Independence, OH
Tel: 216-447-0464
Fax: 216-447-0643

Dallas
Addison, TX
Tel: 972-818-7423
Fax: 972-818-2924

Detroit
Novi, MI
Tel: 248-848-4000

Houston, TX
Tel: 281-894-5983
Indianapolis Noblesville, IN
Tel: 317-773-8323
Fax: 317-773-5453

Los Angeles
Mission Viejo, CA
Tel: 949-462-9523
Fax: 949-462-9608

New York, NY
Tel: 631-435-6000

San Jose, CA
Tel: 408-735-9110

Canada - Toronto
Tel: 905-695-1980
Fax: 905-695-2078

ASIA/PACIFIC

Asia Pacific Office
Suites 3707-14, 37th Floor
Tower 6, The Gateway
Harbour City, Kowloon

Hong Kong
Tel: 852-2943-5100
Fax: 852-2401-3431

Australia - Sydney
Tel: 61-2-9868-6733
Fax: 61-2-9868-6755

China - Beijing
Tel: 86-10-8569-7000
Fax: 86-10-8528-2104

China - Chengdu
Tel: 86-28-8665-5511
Fax: 86-28-8665-7889

China - Chongqing
Tel: 86-23-8980-9588
Fax: 86-23-8980-9500

China - Dongguan
Tel: 86-769-8702-9880

China - Guangzhou
Tel: 86-20-8755-8029

China - Hangzhou
Tel: 86-571-8792-8115
Fax: 86-571-8792-8116

China - Hong Kong SAR
Tel: 852-2943-5100
Fax: 852-2401-3431

China - Nanjing
Tel: 86-25-8473-2460
Fax: 86-25-8473-2470

China - Qingdao
Tel: 86-532-8502-7355
Fax: 86-532-8502-7205

China - Shanghai
Tel: 86-21-5407-5533
Fax: 86-21-5407-5066

China - Shenyang
Tel: 86-24-2334-2829
Fax: 86-24-2334-2393

China - Shenzhen
Tel: 86-755-8864-2200
Fax: 86-755-8203-1760

China - Wuhan
Tel: 86-27-5980-5300
Fax: 86-27-5980-5118

China - Xian
Tel: 86-29-8833-7252
Fax: 86-29-8833-7256

ASIA/PACIFIC

China - Xiamen
Tel: 86-592-2388138
Fax: 86-592-2388130

China - Zhuhai
Tel: 86-756-3210040
Fax: 86-756-3210049

India - Bangalore
Tel: 91-80-3090-4444
Fax: 91-80-3090-4123

India - New Delhi
Tel: 91-11-4160-8631
Fax: 91-11-4160-8632

India - Pune
Tel: 91-20-3019-1500

Japan - Osaka
Tel: 81-6-6152-7160
Fax: 81-6-6152-9310

Japan - Tokyo
Tel: 81-3-6880-3770
Fax: 81-3-6880-3771

Korea - Daegu
Tel: 82-53-744-4301
Fax: 82-53-744-4302

Korea - Seoul
Tel: 82-2-554-7200
Fax: 82-2-558-5932 or
82-2-558-5934

Malaysia - Kuala Lumpur
Tel: 60-3-6201-9857
Fax: 60-3-6201-9859

Malaysia - Penang
Tel: 60-4-227-8870
Fax: 60-4-227-4068

Philippines - Manila
Tel: 63-2-634-9065
Fax: 63-2-634-9069

Singapore
Tel: 65-6334-8870
Fax: 65-6334-8850

Taiwan - Hsin Chu
Tel: 886-3-5778-366
Fax: 886-3-5770-955

Taiwan - Kaohsiung
Tel: 886-7-213-7828

Taiwan - Taipei
Tel: 886-2-2508-8600
Fax: 886-2-2508-0102

Thailand - Bangkok
Tel: 66-2-694-1351
Fax: 66-2-694-1350

EUROPE

Austria - Wels
Tel: 43-7242-2244-39
Fax: 43-7242-2244-393

Denmark - Copenhagen
Tel: 45-4450-2828
Fax: 45-4485-2829

France - Paris
Tel: 33-1-69-53-63-20
Fax: 33-1-69-30-90-79

Germany - Dusseldorf
Tel: 49-2129-3766400

Germany - Karlsruhe
Tel: 49-721-625370

Germany - Munich
Tel: 49-89-627-144-0
Fax: 49-89-627-144-44

Italy - Milan
Tel: 39-0331-742611
Fax: 39-0331-466781

Italy - Venice
Tel: 39-049-7625286

Netherlands - Drunen
Tel: 31-416-690399
Fax: 31-416-690340

Poland - Warsaw
Tel: 48-22-3325737

Spain - Madrid
Tel: 34-91-708-08-90
Fax: 34-91-708-08-91

Sweden - Stockholm
Tel: 46-8-5090-4654

UK - Wokingham
Tel: 44-118-921-5800
Fax: 44-118-921-5820

06/23/16