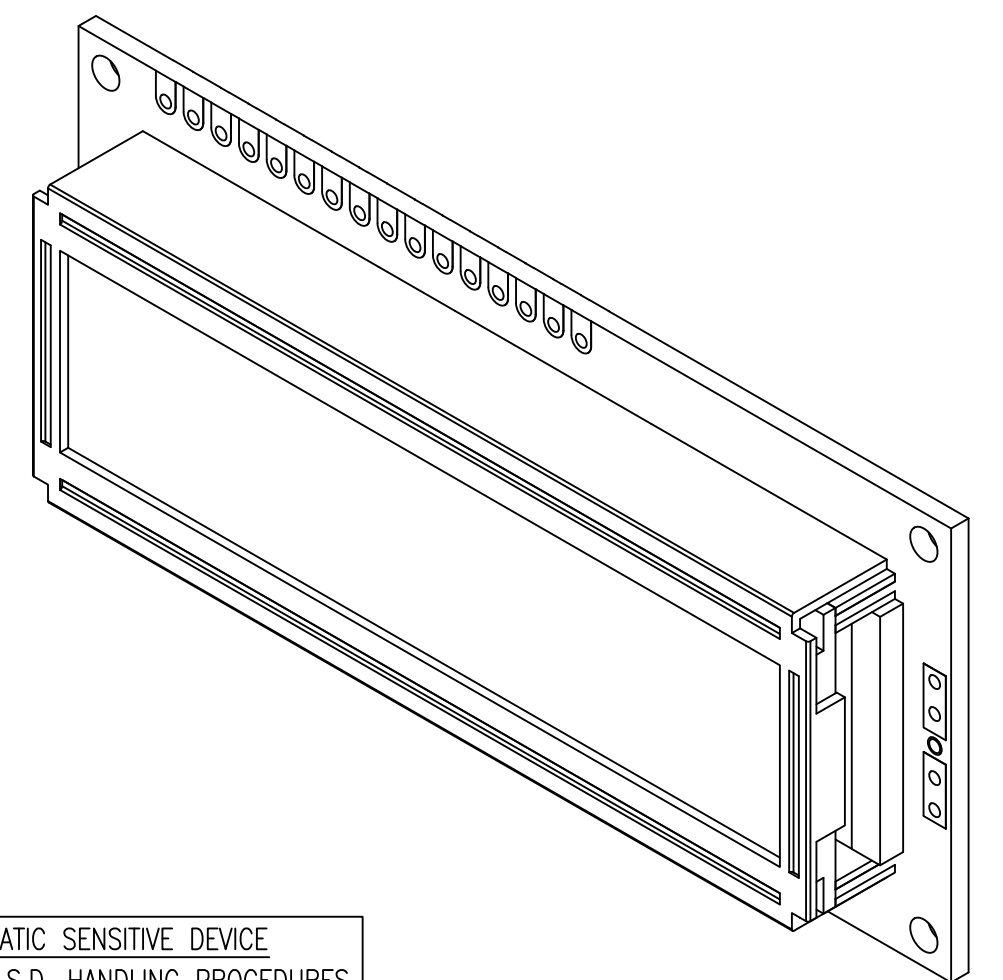
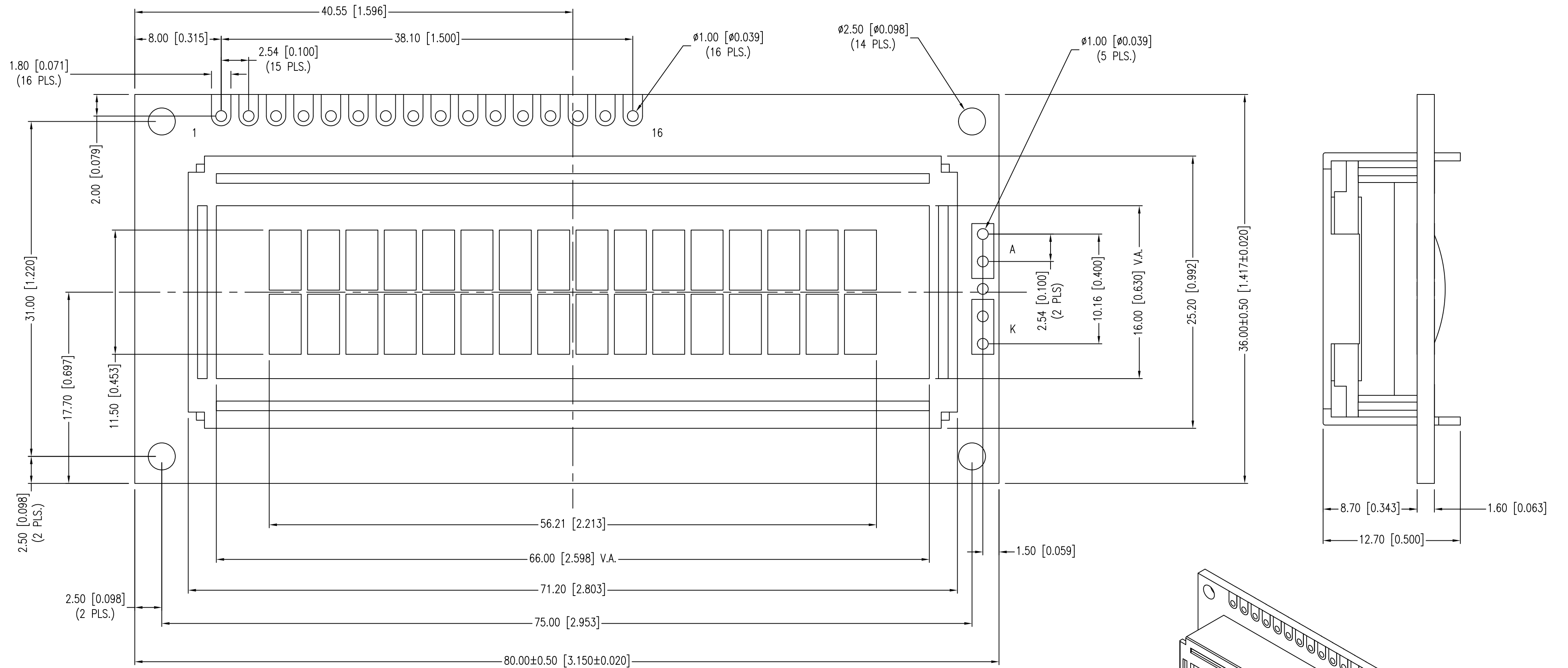


PART NUMBER	LCM-S01602DSF/A	REV.	B
DATE	E.C.N. NUMBER AND REVISION COMMENTS	REV.	
06.17.11	E.C.N. #10BRDR. & REDRAWN.	A	
07.28.17	ECN-Lumex201700038	B	



CAUTION: STATIC SENSITIVE DEVICE
FOLLOW PROPER E.S.D. HANDLING PROCEDURES
WHEN WORKING WITH THIS PART.

*UNLESS OTHERWISE SPECIFIED TOLERANCES PER DECIMAL PRECISION ARE: X=±1 (±0.039), X.X=±0.5 (±0.020), X.XX=±0.25 (±0.010), X.XXX=±0.127 (±0.005). LEAD SIZE=±0.05 (±0.002), LEAD LENGTH=±0.75 (±0.030). MIN= $\frac{+DECIMAL PRECISION}{-0.00}$ MAX= $\frac{+0.00}{-DECIMAL PRECISION}$



425 N. GARY AVE
CAROL STREAM, IL 60188
PHONE: 800-278-5666
FAX: 630-315-2150
WEB: WWW.LUMEX.COM

5.56mm CHAR HEIGHT, 5x8 DOT MATRIX, STN, TRANSFLECTIVE W/LED BACKLIGHT, 16x2 LCD, 1/16 DUTY, 1/5 BIAS.

THE SPECIFICATIONS MAY CHANGE AT ANY TIME WITHOUT NOTICE DUE TO NEW MATERIALS OR PRODUCT IMPROVEMENT.

CONFIDENTIAL INFORMATION
THE INFORMATION CONTAINED IN THIS DOCUMENT IS THE PROPERTY OF LUMEX INC. EXCEPT AS SPECIFICALLY AUTHORIZED IN WRITING BY LUMEX INC., THE HOLDER OF THIS DOCUMENT SHALL KEEP ALL INFORMATION CONTAINED HEREIN CONFIDENTIAL AND SHALL PROTECT SAME IN WHOLE OR IN PART FROM DISCLOSURE AND DISSEMINATION TO ALL THIRD PARTIES.

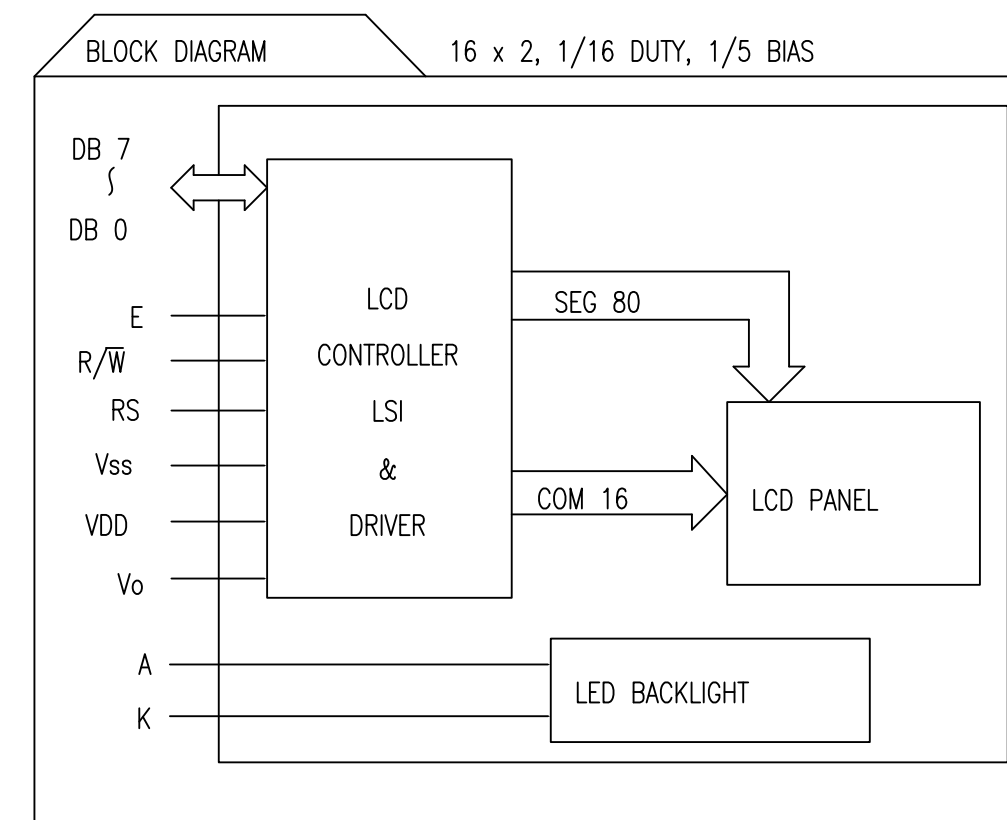
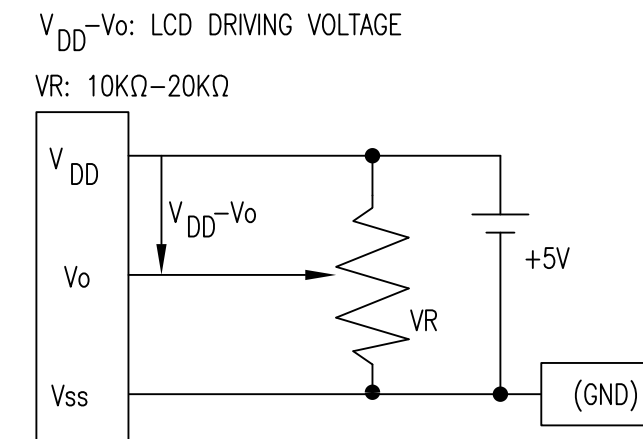
UNCONTROLLED DOCUMENT

DATE:	07.28.17	DRAWN BY:	E.C.
PAGE:	1 OF 2	CHKD BY:	R.C.
SCALE:	NTS	APRVD BY:	G.Y.
UNIT:	mm [INCH]		



PART NUMBER	LCM-S01602DSF/A	REV.	B
DATE	E.C.N. NUMBER AND REVISION COMMENTS		REV.
06.17.11	E.C.N. #10BRDR. & REDRAWN.		A
07.28.17	ECN-Lumex201700038		B

PIN CONFIGURATION			
PIN NO.	SYMBOL	LEVEL	FUNCTION
1	VSS	-	POWER SUPPLY
2	VDD	-	
3	Vo	-	
4	RS	H/L	REGISTER SELECT SIGNAL H: DATA INPUT L: INSTRUCTION INPUT
5	R/W	H/L	H: DATA READ (MODULE-->MPU) L: DATA WRITE (MODULE<--MPU)
6	E	H,H->L	ENABLE
7~14	DB0~DB7	H/L	DATA BUS-SOFTWARE SELECTABLE 4 OR 8 BIT MODE.
15	A	-	ANODE
16	K	-	CATHODE



ELECTRICAL CHARACTERISTICS		VDD=4.7V to 5.3V, Ta=25°C					
ITEM	SYMBOL	CONDITION	STANDARD VALUE			UNIT	
			MIN	TYP	MAX		
SUPPLY VOLTAGE FOR LOGIC	VDD-VSS	-	-	5.0	-	V	
SUPPLY CURRENT FOR LOGIC	IDD	VDD=5V	-	2.0	3.0	mA	
INPUT VOLTAGE	HIGH	VIH	-	2.2	-	VDD	
	LOW	VIL	-	0	-	0.6	
OUTPUT VOLTAGE	HIGH	VOH	-	2.4	-	V	
	LOW	VOL	-	-	-	0.4	
LED BACKLIGHT*	VOLTAGE	Vf	If=160mA	-	4.2	4.6	V
	CURRENT	If	-	-	160	-	mA
	POWER CONSUMPTION	PD	-	-	656	-	mW
	LUMINOUS	L	If=160mA	70	-	-	cd/m ²
	COLOR	-	-	-	-	-	nm

*ONLY APPLIES TO MODULES WITH BACKLIGHT

ABSOLUTE MAXIMUM RATINGS		TEST CONDITION	STANDARD VALUE		UNIT
ITEM	SYMBOL		MIN	MAX	
SUPPLY VOLTAGE FOR LOGIC	VDD-VSS	Ta=25°C	4.7	5.3	V
SUPPLY VOLTAGE FOR LCD DRIVE	VDD-Vo	-	4.3	4.6	V
INPUT VOLTAGE	VI	Ta=25°C	VSS	VDD	V
OPERATING TEMPERATURE	Topr	LCM-S	0	50	°C
STORAGE TEMPERATURE	Tstg	LCM-S	-20	70	°C

*UNLESS OTHERWISE SPECIFIED TOLERANCES PER DECIMAL PRECISION ARE: X=±1 (±0.039), X.X=±0.5 (±0.020), X.XX=±0.25 (±0.010), X.XXX=±0.127 (±0.005). LEAD SIZE=±0.05 (±0.002), LEAD LENGTH=±0.75 (±0.030). MIN=^{+DECIMAL PRECISION}/_{-0.00} MAX.=^{+0.00}/_{-DECIMAL PRECISION}

UNCONTROLLED DOCUMENT



425 N. GARY AVE
CAROL STREAM, IL 60188
PHONE: 800-278-5666
FAX: 630-315-2150
WEB: WWW.LUMEX.COM

5.56mm CHAR HEIGHT, 5x8 DOT MATRIX, STN, TRANSFLECTIVE W/LED BACKLIGHT, 16x2 LCD, 1/16 DUTY, 1/5 BIAS.

THE SPECIFICATIONS MAY CHANGE AT ANY TIME WITHOUT NOTICE DUE TO NEW MATERIALS OR PRODUCT IMPROVEMENT.

CONFIDENTIAL INFORMATION
THE INFORMATION CONTAINED IN THIS DOCUMENT IS THE PROPERTY OF LUMEX INC. EXCEPT AS SPECIFICALLY AUTHORIZED IN WRITING BY LUMEX INC., THE HOLDER OF THIS DOCUMENT SHALL KEEP ALL INFORMATION CONTAINED HEREIN CONFIDENTIAL AND SHALL PROTECT SAME IN WHOLE OR IN PART FROM DISCLOSURE AND DISSEMINATION TO ALL THIRD PARTIES.

DATE:	07.28.17	DRAWN BY:	E.C.
PAGE:	2 OF 2	CHKD BY:	R.C.
SCALE:	NTS	APRVD BY:	G.Y.
UNIT:	mm [INCH]		