

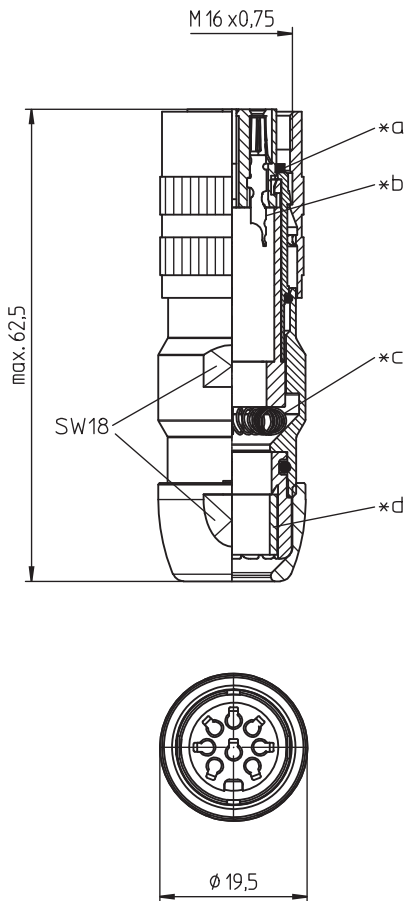
03 032200

Circular connectors with threaded joint M16 acc. to IEC 61076-2-106, IP40/IP68



Next Generation – Socket acc. to AISG specification and IEC 61076-2-106, IP68, with threaded joint, vibration protection and solder terminals, 360° shielded, optimized assembly

03 032200



Environmental conditions

Temperature range -40 °C/+85 °C

Materials

Insulating body	PA GF, V-0 according to UL94
Contact bush	CuZn, silver-plated and flash gold-plated (12 and 14-pole pre-nickel and gold-plated)
Schirmfeder	stainless steel
Insulating sleeve	PA, V-0 according to UL94
Clamp	PA, V-0 according to UL94
Housing	CuZn, nickel-plated/Zn diecast, pre-copper and nickel-plated
Knurled nut	CuZn, nickel-plated
Seal	CR/EPDM

Mechanical data

Insertion force/contact	≤ 5.0 N ¹
Withdrawal force/contact	≥ 1.2 N (3-8 poles) ≥ 0.9 N (12-14 poles) ¹
Tightening torque connector	3 Nm
Tightening torque nut	3 Nm
Protection class	IP68 ²

¹ measured with a polished steel pin, nominal thickness 1.5 mm

² according to IEC DIN EN 60529, only in locked condition with an appropriate counterpart; IPX8 requirements under agreement between manufacturer and user

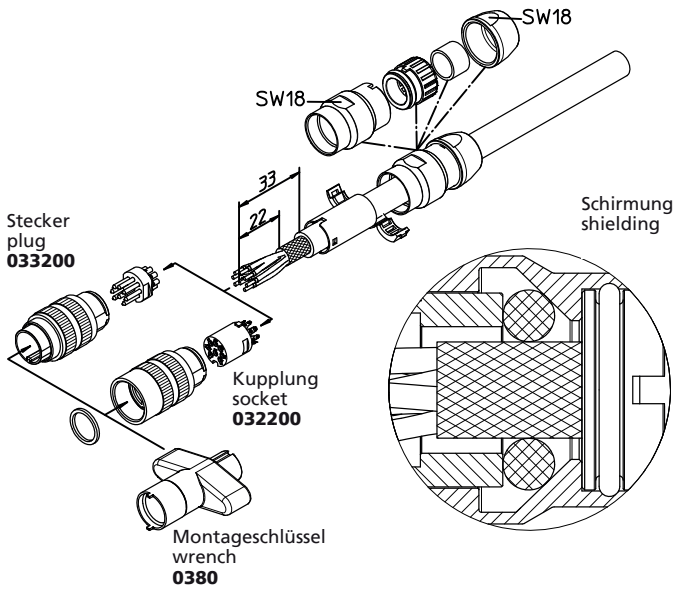
Connectable conductors for solder area

Section	≤ 0.75 mm ² (AWG 20)
Cable diameter	4–8 mm 8–10 mm optionally

Electrical data (at T_{amb} 20 °C)

Contact resistance	≤ 5 mΩ
Rated current	5 A (T _{amb} 40 °C, 3-8 poles) 3 A (T _{amb} 40 °C, 12-14 poles)
Rated voltage	pollution degree 1: 300 V (versions 03, 04, 05-1, 06, 07) 100 V (versions 05, 07-1, 08, 08-1) 160 V (versions 12, 14) pollution degree 2: 250 V (versions 03, 04) 160 V (versions 05-1, 06, 07, 12, 14) 32 V (versions 05, 07-1, 08, 08-1)
Rated impulse voltage	1500 V (versions 03, 04, 05-1, 06, 07, 12, 14) 500 V (versions 05, 05-3, 07-1, 08, 08-1)
Material group	II (IEC)/1 (UL) (400 ≤ CTI < 600)
Overvoltage category	I
Insulation resistance	> 100 MΩ

03 032200



Associated products

Counterparts

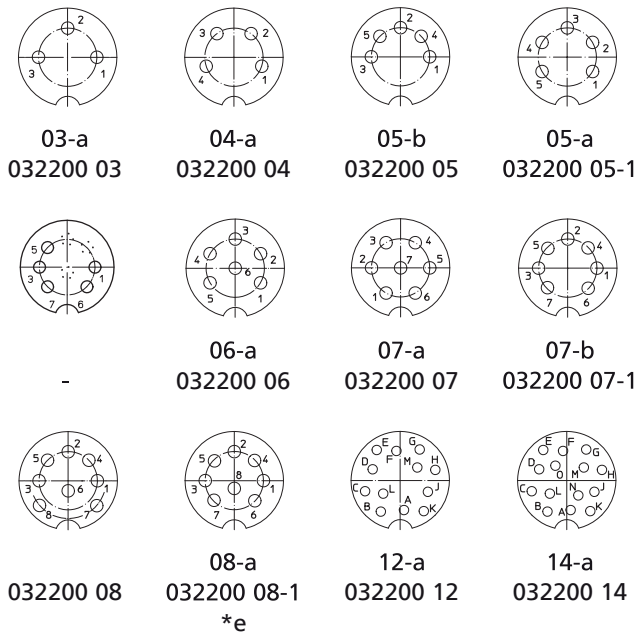
☞ 0304-2	☞ 0314	☞ 0314-1
☞ 0314-2	☞ 0315	☞ 0315-1
☞ 0315-1 U	☞ 0315-2	☞ 0316
☞ 0316-1	☞ 0316-2	☞ 0317
☞ 0317-1	☞ 031798-1	☞ 031798-2
☞ 031799-2	☞ 0318	☞ 0318-1
☞ 0318-2	☞ 0331	☞ 0332
☞ 0332-1	☞ 033200	☞ 036000
☞ 0365	☞ 036500	☞ Weitere Produkte auf Anfrage

☞ Weitere Produkte auf Anfrage

Accessories

☞ 0322 C 16	☞ 0381	☞ 038199
☞ 038799		

Pin configurations, solder side view



03

032200

-
- *a flat gasket
 - *b solder cup for iron soldering
 - *c shielding connection
 - *d hose gasket
 - *e pin configuration according to AISG C485

03 032200

Designation	Pole Number	PU (Pieces)	MDQ (Pieces)
032200 03	3	50	100
032200 04	4	50	100
032200 05	5	50	100
032200 05-1	5	50	100
032200 06	6	50	100
032200 07	7	50	100
032200 07-1	7	50	100
032200 08	8	50	100
032200 08-1	8	50	100
032200 12	12	50	100
032200 14	14	50	100

Packaging:

sets of individual parts, partly pre-assembled, in plastic bags, in a cardboard box