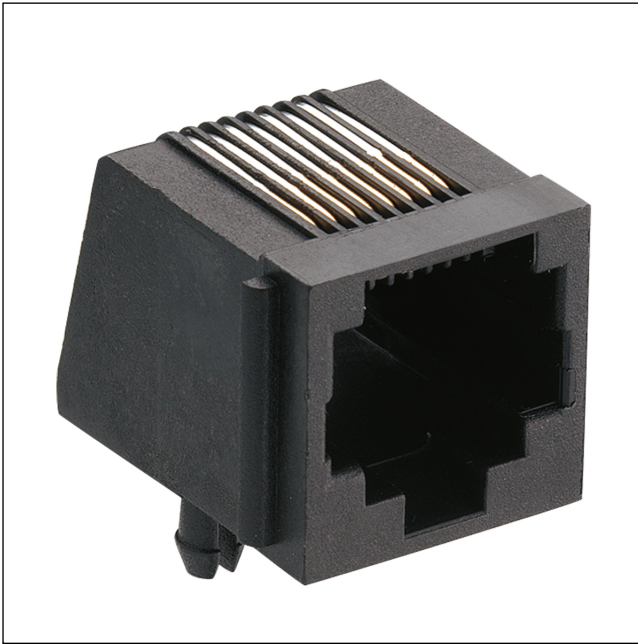


25

P 133

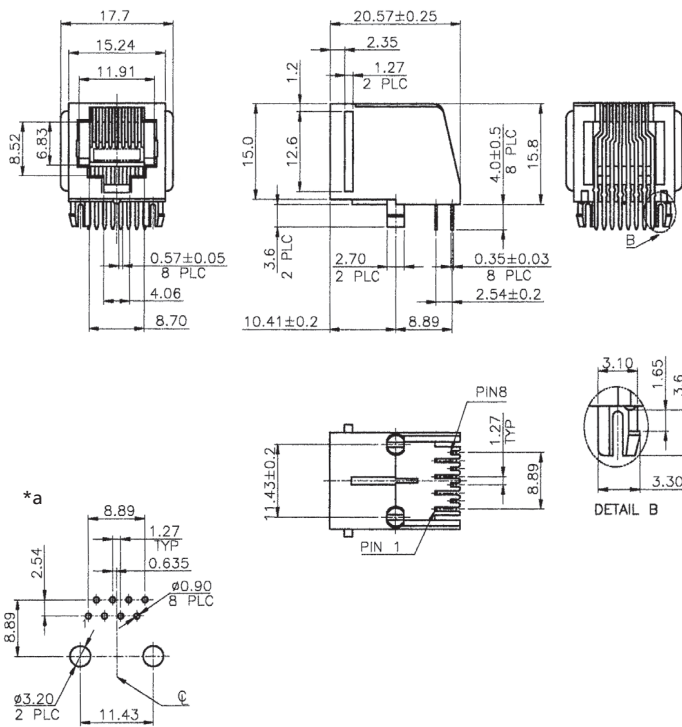
Modular connectors



Modular chassis socket, 8p8c (RJ45), angular, with lower side locking and flange, for printed circuit boards

25

P 133



*a printed circuit board layout, components side view

Environmental conditions

Temperature range -40 °C/+85 °C

Materials

Insulating body PBT GF, V-0 according to UL94
Contact spring CuSn, pre-nickel and selectively gold-plated

Mechanical data

Mating cycles 500
Insertion force ≤ 20 N
Withdrawal force ≥ 20 N

Electrical data (at T_{amb} 20 °C)

Contact resistance 50 m Ω
Rated current ≤ 1 A
Rated voltage ≤ 150 V AC
Insulation resistance 500 M Ω

Associated products

Counterparts
☞ P 129 ☞ P 129 S

Accessories
☞ 2533 01

25

P 133

Designation	Pole Number	PU (Pieces)	MDQ (Pieces)
P 133	8	90	450

Packaging:

in bulk, in a cardboard box or a plastic bag