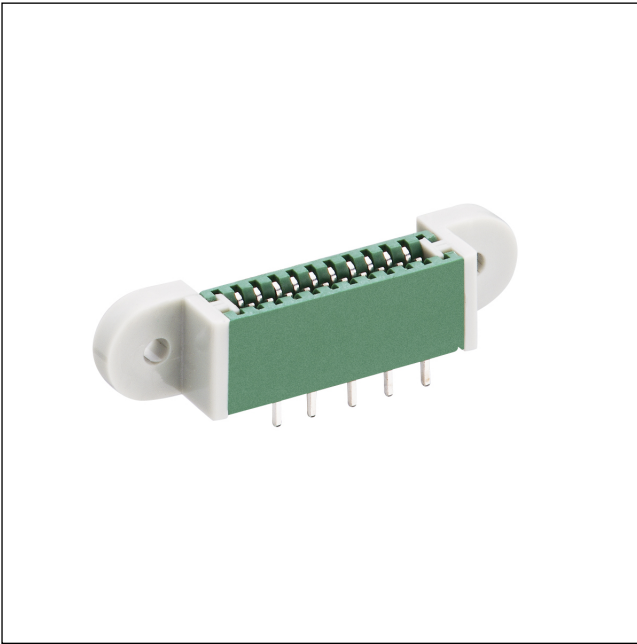


51

2,5 RFL

Direct connectors for insert cards, pitch 2.5/2.54/5.0/ 5.08 mm

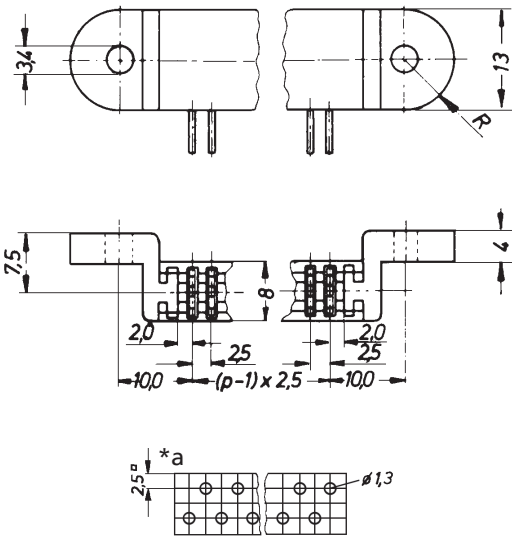


Socket board for direct mating, with mounted pair of flanges FL, with solder pins

State: Phasing out

51

2,5 RFL



*a printed circuit board layout, solder side view

Environmental conditions

Temperature range -25 °C/+100 °C

Materials

Insulating body PPO
Contact spring CuSn, pre-nickel and tin-plated
Flange PC


Mechanical data

Mating with printed circuit board 1.5 ± 0.14 mm

Electrical data (at T_{amb} 20 °C)

Contact resistance ≤ 3 m Ω
Rated current 5 A
Rated voltage 160 V AC
Rated impulse voltage $\geq 1,5$ kV

Associated products

Accessories
 SP 3

Designation	Pole Number	PU (Pieces)	MDQ (Pieces)
2,5 RFL 03	3	200	5000
2,5 RFL 04	4	200	5000
2,5 RFL 05	5	200	5000
2,5 RFL 06	6	200	5000
2,5 RFL 07	7	200	5000
2,5 RFL 08	8	200	5000
2,5 RFL 09	9	200	5000
2,5 RFL 10	10	200	5000
2,5 RFL 11	11	200	5000
2,5 RFL 12	12	200	5000
2,5 RFL 13	13	200	5000
2,5 RFL 14	14	200	5000
2,5 RFL 15	15	200	5000
2,5 RFL 16	16	200	5000
2,5 RFL 17	17	200	5000
2,5 RFL 18	18	200	5000
2,5 RFL 19	19	200	5000
2,5 RFL 20	20	200	5000
2,5 RFL 21	21	200	5000
2,5 RFL 22	22	200	5000
2,5 RFL 23	23	200	5000
2,5 RFL 24	24	200	5000
2,5 RFL 25	25	200	5000
2,5 RFL 26	26	200	5000
2,5 RFL 27	27	200	5000
2,5 RFL 28	28	200	5000
2,5 RFL 29	29	200	5000
2,5 RFL 30	30	200	5000
2,5 RFL 31	31	200	5000
2,5 RFL 32	32	200	5000
2,5 RFL 33	33	200	5000
2,5 RFL 34	34	200	5000
2,5 RFL 35	35	200	5000
2,5 RFL 36	36	200	5000
2,5 RFL 37	37	200	5000
2,5 RFL 38	38	200	5000

Designation	Pole Number	PU (Pieces)	MDQ (Pieces)
2,5 RFL 39	39	200	5000
2,5 RFL 40	40	200	5000
2,5 RFL 41	41	200	5000
2,5 RFL 42	42	200	5000
2,5 RFL 43	43	200	5000
2,5 RFL 44	44	200	5000
2,5 RFL 45	45	200	5000
2,5 RFL 46	46	200	5000
2,5 RFL 47	47	200	5000
2,5 RFL 48	48	200	5000
2,5 RFL 49	49	200	5000
2,5 RFL 50	50	200	5000
2,5 RFL 51	51	200	5000
2,5 RFL 52	52	200	5000
2,5 RFL 53	53	200	5000
2,5 RFL 54	54	200	5000
2,5 RFL 55	55	200	5000
2,5 RFL 56	56	200	5000
2,5 RFL 57	57	200	5000
2,5 RFL 58	58	200	5000
2,5 RFL 59	59	200	5000
2,5 RFL 60	60	200	5000

Packaging:

in bulk, in a cardboard box