

16

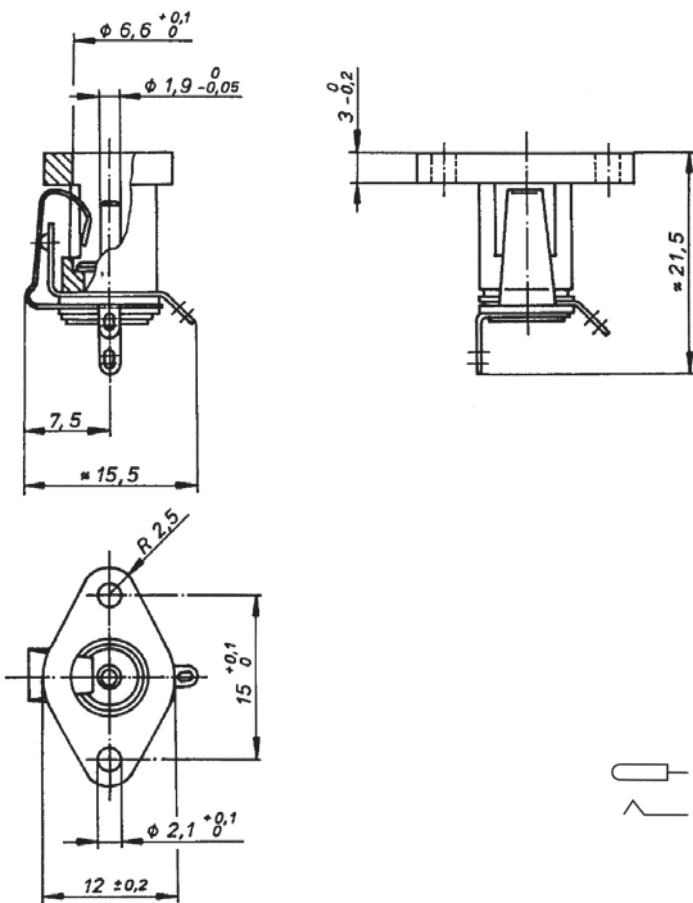
NEB 1

Power supply connectors



Power supply chassis socket acc. to DIN 45323, straight version, with fixing flange and solder eyes

State: Active



Materials

Contact	tin-plated
Housing	POM

Mechanical data

Diameter opening	6,6 mm
Diameter center pin	1,9 mm

Electrical data (at T_{amb} 20 °C)

Rated current	3 A
Rated voltage	34 V DC

Associated products

Counterparts
☞ NES 1

16

NEB 1

Designation	Pole Number	PU (Pieces)	MDQ (Pieces)
NEB 1	2	200	400

Packaging:

in bulk, in a cardboard box or a plastic bag