

51

5,08 RFL

Direct connectors for insert cards, pitch 2.5/2.54/5.0/ 5.08 mm

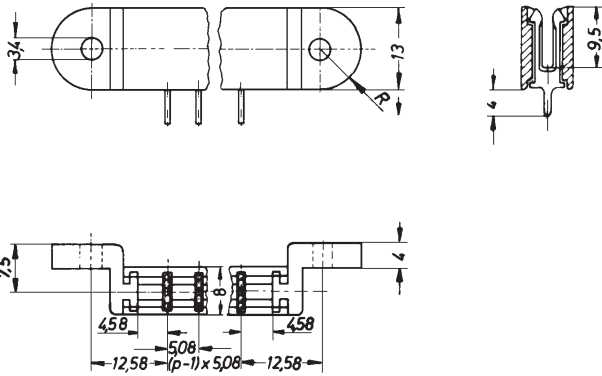


Socket board for direct mating, with mounted pair of flanges FL, with solder pins

State: Phasing out

51

5,08 RFL



Environmental conditions

Temperature range -25 °C/+100 °C

Materials

Insulating body PPO
Contact spring CuSn, pre-nickel and tin-plated
Flange PC

Mechanical data

Mating with Leiterplatte 1,5 ± 0,14 mm

Electrical data (at T_{amb} 20 °C)

Contact resistance ≤ 3 mΩ
Rated current 5 A
Rated voltage 250 V AC
Rated impulse voltage ≥ 3,0 kV

Associated products

Accessories
☑ SP 3

Designation	Pole Number	PU (Pieces)	MDQ (Pieces)
5,08 RFL 03	3	200	5000
5,08 RFL 04	4	200	5000
5,08 RFL 05	5	200	5000
5,08 RFL 06	6	200	5000
5,08 RFL 07	7	200	5000
5,08 RFL 08	8	200	5000
5,08 RFL 09	9	200	5000
5,08 RFL 10	10	200	5000
5,08 RFL 11	11	200	5000
5,08 RFL 12	12	200	5000
5,08 RFL 13	13	200	5000
5,08 RFL 14	14	200	5000
5,08 RFL 15	15	200	5000
5,08 RFL 16	16	200	5000
5,08 RFL 17	17	200	5000
5,08 RFL 18	18	200	5000
5,08 RFL 19	19	200	5000
5,08 RFL 20	20	200	5000
5,08 RFL 21	21	200	5000
5,08 RFL 22	22	200	5000
5,08 RFL 23	23	200	5000
5,08 RFL 24	24	200	5000
5,08 RFL 25	25	200	5000
5,08 RFL 26	26	200	5000
5,08 RFL 27	27	200	5000
5,08 RFL 28	28	200	5000
5,08 RFL 29	29	200	5000
5,08 RFL 30	30	200	5000
5,08 RFL 31	31	200	5000

Packaging:

in bulk, in a cardboard box