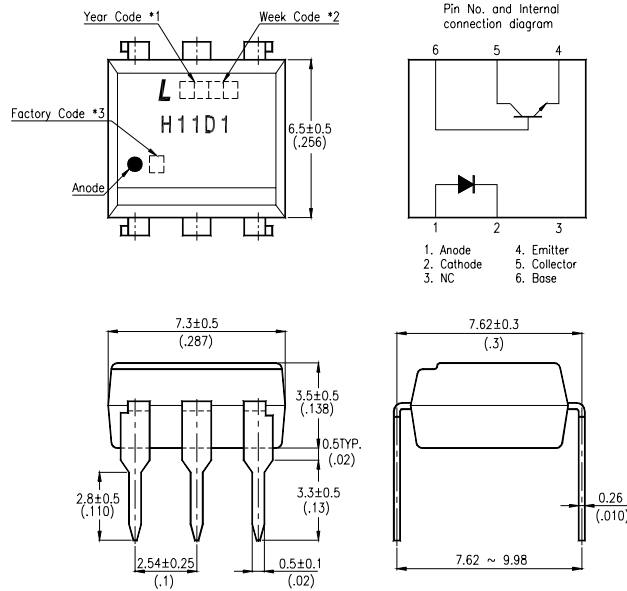


## FEATURES

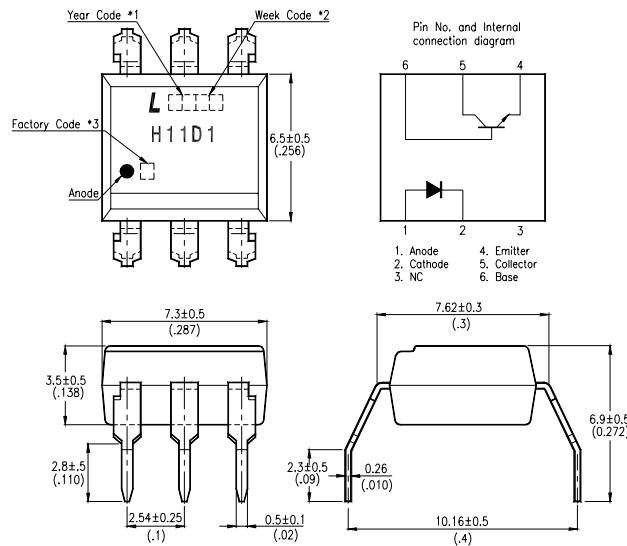
- \* Current transfer ratio  
( CTR : MIN. 20% at  $I_F = 10\text{mA}$ ,  $V_{CE} = 10\text{V}$  )
- \* High isolation voltage between input and output  
(  $V_{iso} = 5,000\text{V}_{rms}$  )
- \* Very High collector-emitter breakdown voltage  
(  $BV_{CER} = 300\text{V}$  )
- \* Dual-in-line package :  
H11D1 : 1-channel type
- \* Wide lead spacing package :  
H11D1M : 1-channel type
- \* Surface mounting package :  
H11D1S : 1-channel type
- \* Tape and reel packaging :  
H11D1S-TA1
- \* UL approved ( No. E113898 )
- \* VDE approved ( No. 094722 )

## OUTLINE DIMENSIONS

### H11D1 :



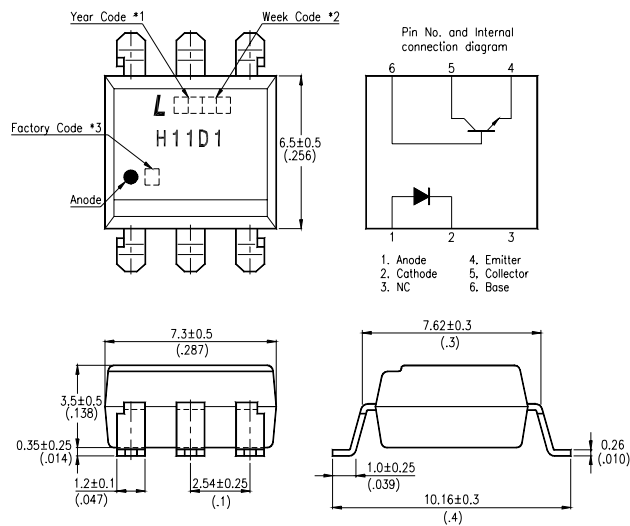
### H11D1M :



- \*1. Year date code.
- \*2. 2-digit work week.
- \*3. Factory identification mark shall be marked (Z : Taiwan, Y : Thailand, X : China).

## OUTLINE DIMENSIONS

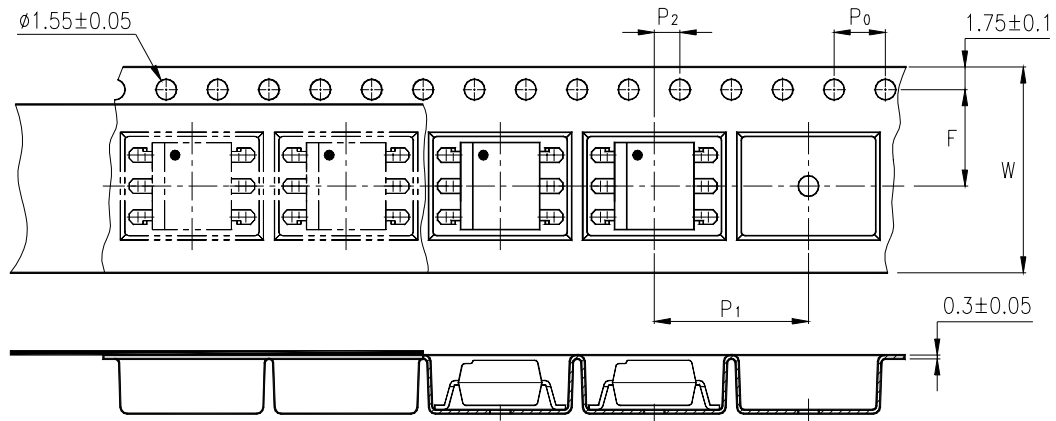
### H11D1S :



- \*1. Year date code.
- \*2. 2-digit work week.
- \*3. Factory identification mark shall be marked (Z : Taiwan, Y : Thailand, X : China).

## TAPING DIMENSIONS

### H11D1S-TA1 :



Description	Symbol	Dimensions in mm ( inches )
Tape wide	W	16 ± 0.3 ( .63 )
Pitch of sprocket holes	P <sub>0</sub>	4 ± 0.1 ( .15 )
Distance of compartment	F	7.5 ± 0.1 ( .295 )
Distance of compartment to compartment	P <sub>1</sub>	2 ± 0.1 ( .079 )
Distance of compartment to compartment	P <sub>1</sub>	12 ± 0.1 ( .472 )

**ABSOLUTE MAXIMUM RATING**

( Ta = 25°C )

PARAMETER		SYMBOL	RATING	UNIT
INPUT	Forward Current	I <sub>F</sub>	60	mA
	Reverse Voltage	V <sub>R</sub>	6	V
	Power Dissipation	P	100	mW
OUTPUT	Collector - Emitter Voltage	V <sub>CEO</sub>	300	V
	Emitter - Base Voltage	V <sub>EBO</sub>	7	V
	Collector - Base Voltage	V <sub>CBO</sub>	300	V
	Emitter - Collector Voltage	V <sub>ECO</sub>	7	V
	Collector Current	I <sub>C</sub>	100	mA
	Collector Power Dissipation	P <sub>C</sub>	150	mW
Total Power Dissipation		P <sub>tot</sub>	250	mW
*1	Isolation Voltage	V <sub>iso</sub>	5,000	V <sub>rms</sub>
Operating Temperature		T <sub>opr</sub>	-55 ~ +100	°C
Storage Temperature		T <sub>stg</sub>	-55 ~ +150	°C
*2	Soldering Temperature	T <sub>sol</sub>	260	°C

\*1. AC For 1 Minute, R.H. = 40 ~ 60%

Isolation voltage shall be measured using the following method.

- (1) Short between anode and cathode on the primary side and between collector and emitter on the secondary side.
- (2) The isolation voltage tester with zero-cross circuit shall be used.
- (3) The waveform of applied voltage shall be a sine wave.

\*2. For 10 Seconds

## ELECTRICAL - OPTICAL CHARACTERISTICS

( Ta = 25°C )

PARAMETER		SYMBOL	MIN.	TYP.	MAX.	UNIT	CONDITIONS
INPUT	Forward Voltage	V <sub>F</sub>	—	1.2	1.5	V	I <sub>F</sub> = 10mA
	Reverse Current	I <sub>R</sub>	—	0.01	10	μA	V <sub>R</sub> = 6V
	Terminal Capacitance	C <sub>t</sub>	—	30	250	pF	V=0, f = 1KHz
OUTPUT	Collector Dark Current	I <sub>CER</sub>	—	—	100	nA	V <sub>CE</sub> =200V R <sub>BE</sub> =1M
	Collector-Emitter Breakdown Voltage	BV <sub>CER</sub>	300	—	—	V	I <sub>C</sub> =0.1mA, I <sub>F</sub> =0 R <sub>BE</sub> =1M
	Emitter-Collector Breakdown Voltage	BV <sub>ECO</sub>	7	—	—	V	I <sub>E</sub> =10μA I <sub>F</sub> =0
TRANSFER CHARACTERISTICS	Collector Current	I <sub>C</sub>	2	—	—	mA	I <sub>F</sub> =10mA, V <sub>CE</sub> =10V R <sub>BE</sub> =1M
	*1 Current Transfer Ratio	CTR	20	—	—	%	
	Collector-Emitter Saturation Voltage	V <sub>CE(sat)</sub>	—	0.25	0.4	V	I <sub>F</sub> =10mA, I <sub>C</sub> =0.5mA R <sub>BE</sub> =1M
	Isolation Resistance	R <sub>iso</sub>	5x10 <sup>10</sup>	—	—	Ω	DC500V 40 ~ 60% R.H.
	Floating Capacitance	C <sub>f</sub>	—	0.6	—	pF	V=0, f=1MHz
	Turn - on Time	t <sub>on</sub>	—	5	—	μs	V <sub>CC</sub> =10V, I <sub>C</sub> =2mA R <sub>L</sub> =100Ω
	Turn - off Time	t <sub>off</sub>	—	5	—	μs	

$$*1 \text{ CTR} = \frac{I_C}{I_F} \times 100\%$$

### CHARACTERISTICS CURVES

Fig.1 Forward Current vs. Ambient Temperature

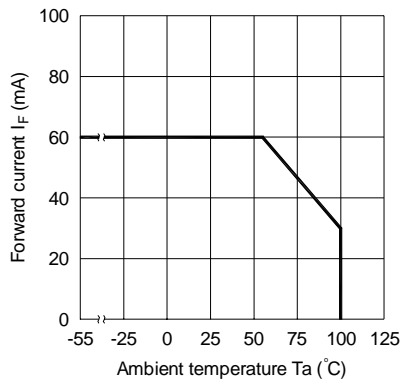


Fig.2 Collector Power Dissipation vs. Ambient Temperature

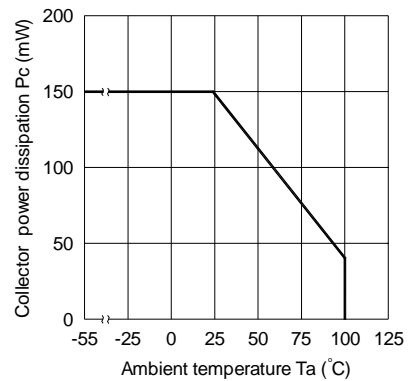


Fig.3 Collector-emitter saturation Voltage vs. Forward current

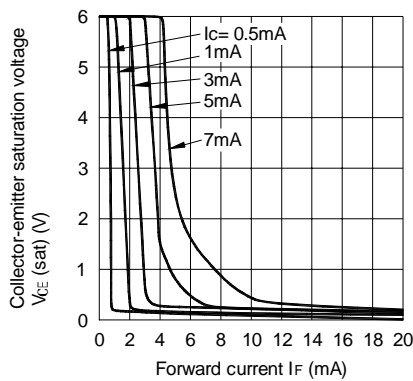


Fig.4 Forward Current vs. Forward Voltage

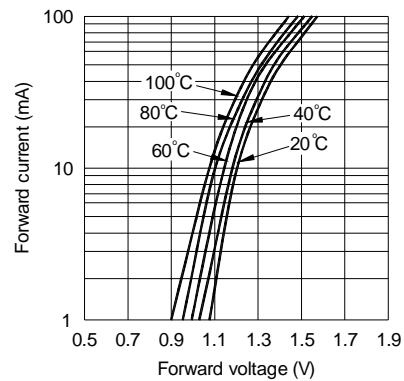


Fig.5 Output Current vs. Forward Current Curve

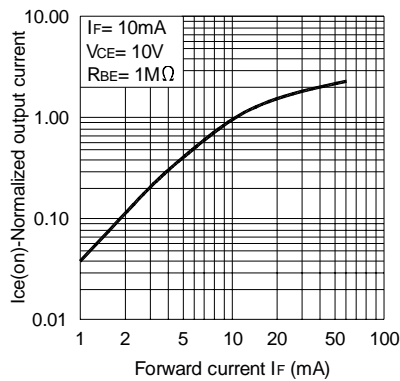
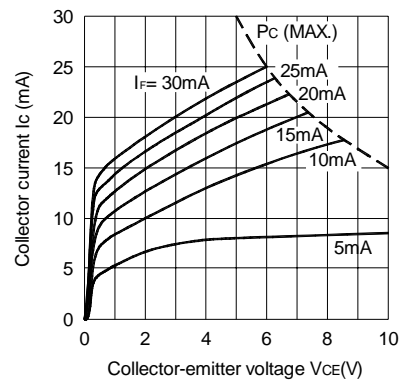


Fig.6 Collector Current vs. Collector-emitter Voltage



### CHARACTERISTICS CURVES

Fig.7 Relative Current Transfer Ratio vs. Ambient Temperature

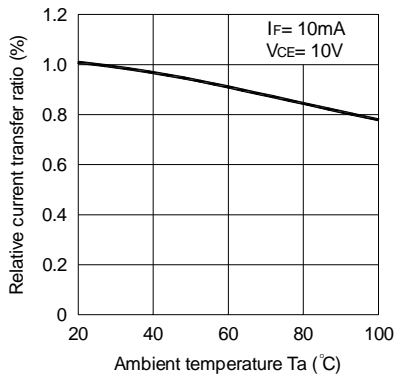


Fig.8 Collector-emitter Saturation Voltage vs. Ambient Temperature

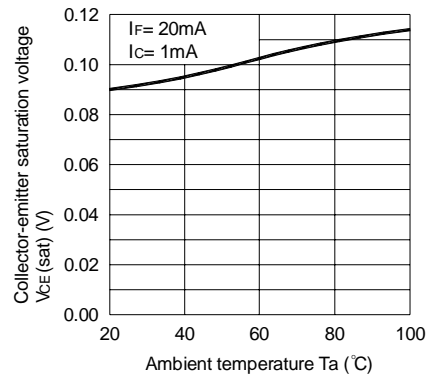


Fig.9 Collector Dark Current vs. Ambient Temperature

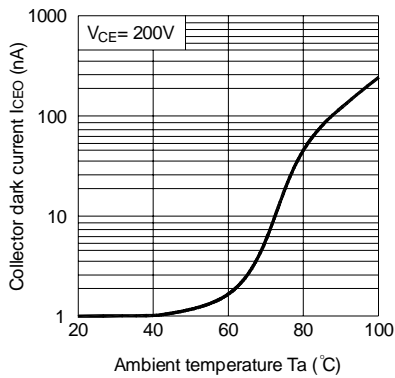


Fig.10 Response Time vs. Load Resistance

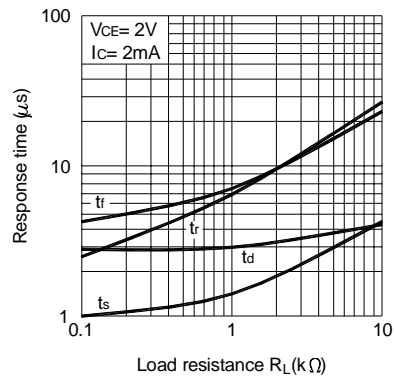
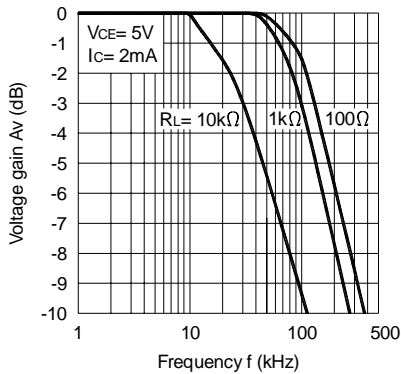
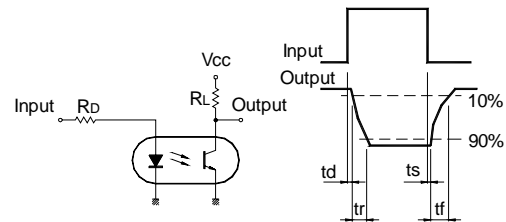


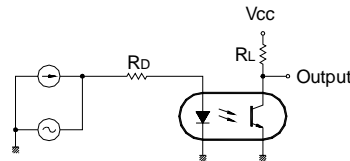
Fig.11 Frequency Response



Test Circuit for Response Time



Test Circuit for Frequency Response





**RECOMMENDED FOOT PRINT PATTERNS (MOUNT PAD)**

Unit : mm

