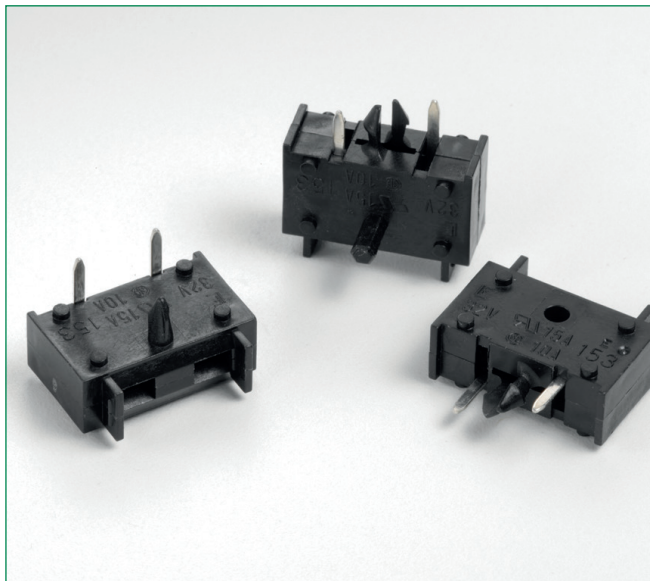


# PCB MOUNT FUSE HOLDER FOR MINI® STYLE BLADE FUSE



## Description

The MINI® Fuse PCB Fuse Holders bring the reliability and availability of the plug-in 32V MINI® Fuse to the circuit board. Vertical and horizontal mounting of units is offered. The Fuse Holder has “standoffs” to accommodate board washing and incorporates a unique “board lock” anchor to maintain a firm mechanical bond to the PCB.

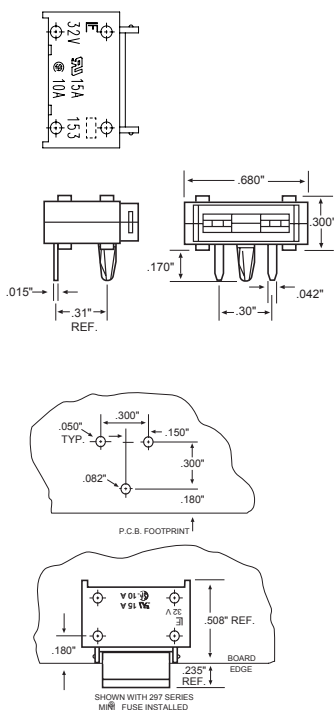
## UL 15A CSA 10A (32V)

| Part Number | Description                            | Fuse Rating |
|-------------|--|-------------|
| 01530007_   | Horizontal Mount                       | 15 A        |
| 01530031_   |  | 20 A        |
| 01530008_   | Single vertical Mount<br>(or End Unit) | 15 A        |
| 01530032_   |  | 20 A        |
| 01530009_   | Stackable vertical Mount               | 15 A        |
| 01530033_   |  | 20 A        |

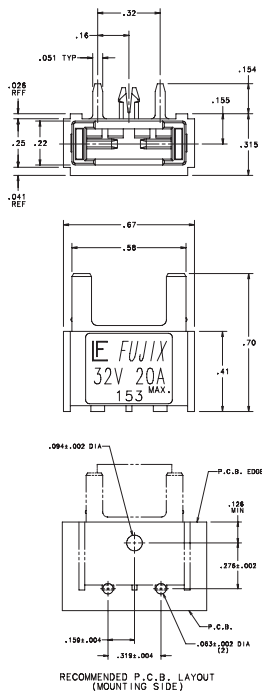
## Ordering Information

| Part Number | Package Size |
|-------------|--------------|
| 015300xLXN  | 50           |
| 015300xZ    | 500          |
| 01530033xZ  | 5000         |

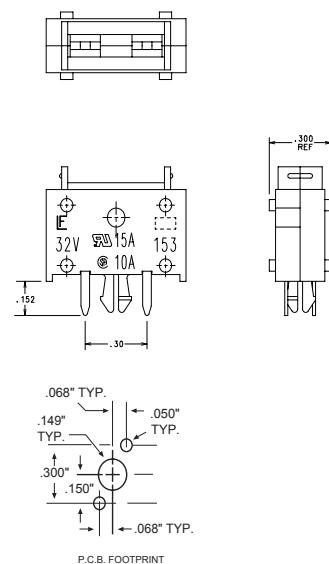
### 0153007\_



### 0153031\_



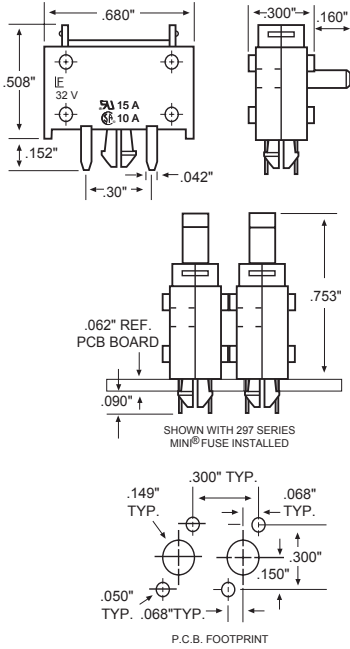
### 0153008\_



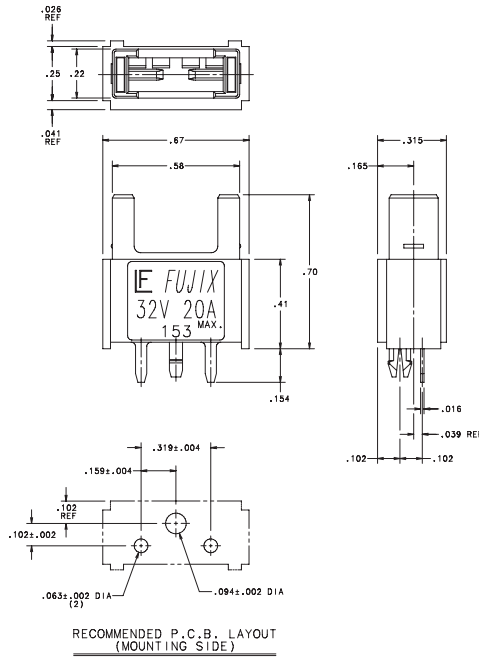
**PCB MOUNT FUSE HOLDER FOR MINI® STYLE BLADE FUSE**



**0153009\_**



**0153032\_**



**0153033\_**

