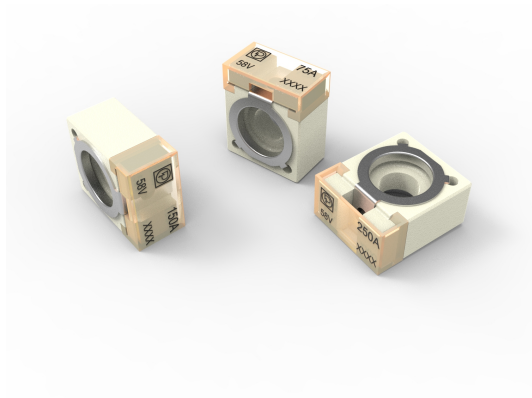


CF8

Rated 58 V



RoHS

Specifications

Voltage Rating:	58 V DC
Interrupting Rating:	2000 A @ 58 VDC
Recommended Environmental Temperature:	-40 °C to +125 °C
Opaque Housing Material:	Out of Ceramic
Transparent Cover Material:	PES
Comply With:	ISO 8820-6, DIN 72581-5, UL 248 Special Purpose Fuses (File No. E211637)

Description

Main Fuse for mounting with battery clamp on the battery pole. Voltage rating 58 VDC, Current rating 50A - 300A. With transparent cover material for visual inspection of melting element.

Features & Benefits

- Transparent cover make it easy to see when the fuse melt
- Space saving

Applications

- Automotive applications

Ordering Information

Part Number	Package Size
155.0892.xxx1	100

CF8

Rated 58 V

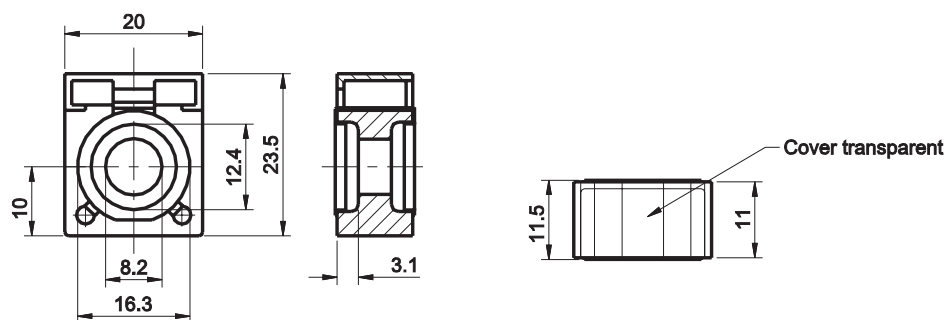
Ratings

Part Number	Current Rating (A)	Typ. Voltage Drop (mV)	Typ. Cold Resist. (mΩ)	Typ. I ² t (A ² s)
155.0892.5501	50	100	1.20	1 900
155.0892.5751	75	90	0.60	12 000
155.0892.6101	100	80	0.60	14 000
155.0892.6121	125	75	0.45	51 000
155.0892.6151	150	70	0.35	63 800
155.0892.6171	175	70	0.25	120 000
155.0892.6201	200	65	0.25	172 800
155.0892.6251	250	70	0.20	330 000
155.0892.6301	300	70	0.15	372 000

The typical I²t is an average value calculated from the breaking capacity tests by using the melting time before the arcing occurs.

Dimensions

Dimensions in mm for reference only.
See outline drawing for dimensions and tolerances

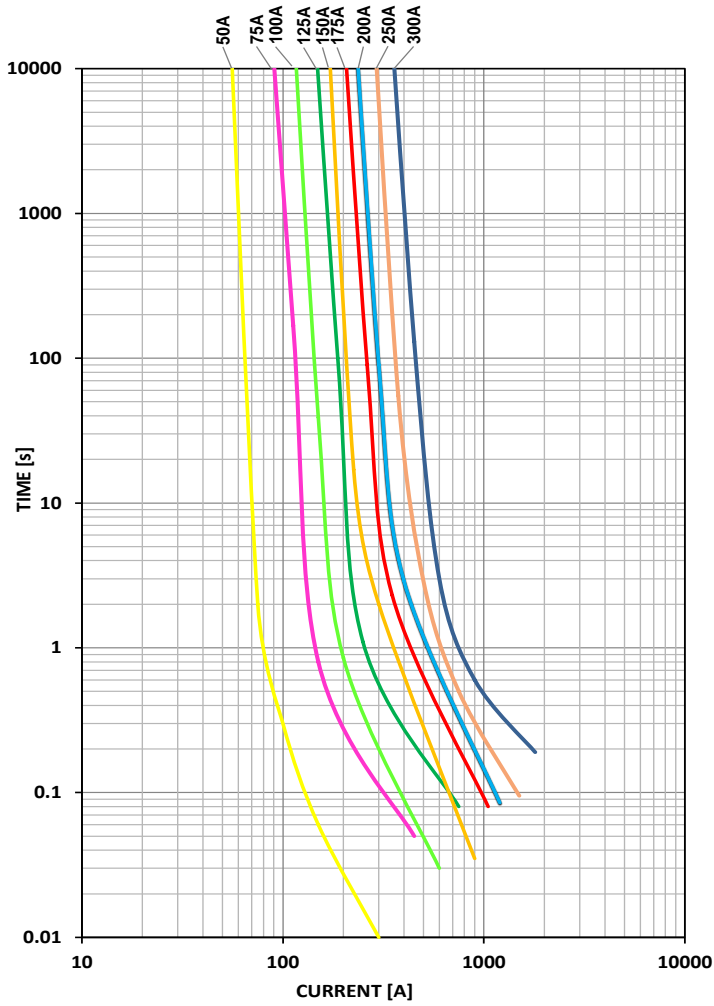


Insert CF8-Fuse links only in conjunction with the insulating nuts, please contact Littelfuse® for more information.

CF8

Rated 58 V

Time-Current Characteristic Curves



Time-Current Characteristics

% of Rating	Opening Time Min / Max (s)
100	360,000 / ∞
135	- / 3,600
150	1 / 600
200	0.2 / 60
300	0.05 / 1.5
400	0.02 / 0.5
600	- / 0.2