



BF2 Fuses

BF2 Fuses Rated 58V

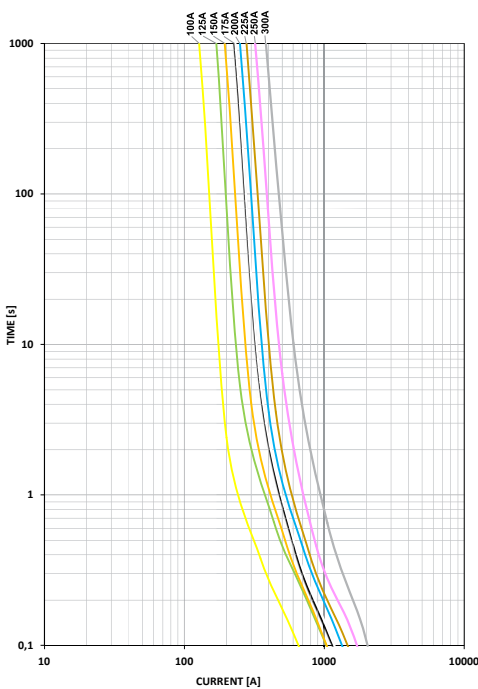
This BF2 fuse is rated at 58V and offers a bolt-on fuse for high current wiring protection. Current rating 100A - 300A; with transparent housing material for easy detection of blown fuses.

Specifications

Voltage Rating:	58 VDC
Interrupting Ratings:	1000A @ 58 VDC
Recommended Environmental Temperature:	-40°C to + 125°C
Terminals Material:	Tin plated copper alloy
Housing Material:	PET-GF33 (U.L. 94 Flammability rating – V0)
Clear Housing Material:	PES (U.L. 94 Flammability rating – V0)
Mounting Torque M8:	12.0 Nm +/- 1Nm
Refers to:	ISO 8820-5:2015, UL 248 Special Purpose



Time-Current Characteristic Curves



Ordering Information

Part Number	Rating	Package Size
142.5395.xxxx	100 - 300	200

Time Current Characteristics

% of Rating	Opening Time Min / Max (s)	
	100A - 250A	300A
75	- / -	- / -
100	14,400 / ∞	14,400 / ∞
135	120 / 1,800	- / -
200	1 / 15	1 / 15
350	0.3 / 5	0.5 / 5
600	0.1 / 1	0.1 / 1

Ratings

Part Number	Current Rating (A)	Housing Color	Test Cable Size (mm ²)	Typ. Voltage Drop (mV)	Typ. Cold Resistance (mΩ)	Typ. I ² t (A ² s)
142.5395.6102	100	Yellow	16	102	0.70	46,800
142.5395.6122	125	Green	25	81	0.52	118,100
142.5395.6152	150	Orange	25	77	0.42	113,400
142.5395.6172	175	White	25	104	0.36	154,400
142.5395.6202	200	Blue	35	102	0.34	288,000
142.5395.6222	225	Brown	35	107	0.29	236,000
142.5395.6252	250	Pink	50	86	0.25	292,500
142.5395.6302 ¹	300	Grey	70	68	0.21	486,000

Note 1: Short Circuit Protector only

The typical I²t is an average value calculated from the breaking capacity tests by using the melting time before the arcing occurs.

REV07212021

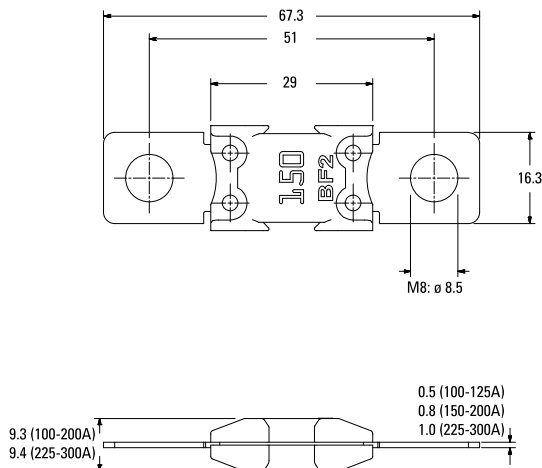
Littelfuse® products are not designed for, and shall not be used for, any purpose (including, without limitation, automotive, military, aerospace, medical, life-saving, life-sustaining or nuclear facility applications, devices intended for surgical implant into the body, or any other application in which the failure or lack of desired operation of the product may result in personal injury, death, or property damage) other than those expressly set forth in applicable Littelfuse® product documentation. Warranties granted by Littelfuse® shall be deemed void for products used for any purpose not expressly set forth in applicable Littelfuse® documentation. Littelfuse® shall not be liable for any claims or damages arising out of products used in applications not expressly intended by Littelfuse® as set forth in applicable Littelfuse® documentation. The sale and use of Littelfuse® products is subject to Littelfuse Terms and Conditions of Sale, unless otherwise agreed by Littelfuse®.

High Current Fuses

BF2 Fuse Rated 58V

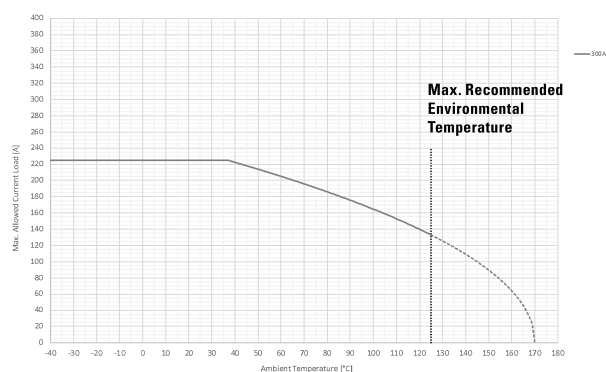
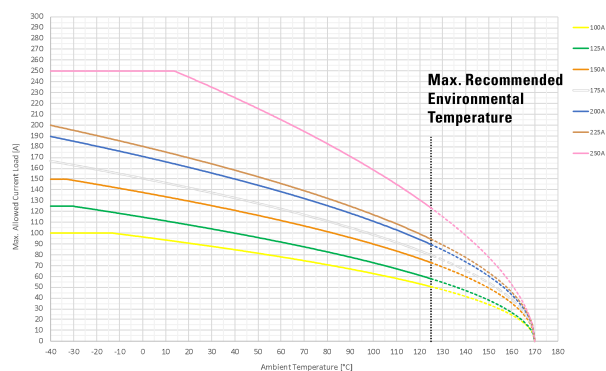
Dimensions

Dimensions in mm for reference only.
See outline drawing for dimensions and tolerances.



Typical Derating of Fuse Melting Element

Temperature Security Margin is 20%
Wire Cross Section And Fixture Test Set Up Refer To ISO 8820-5:2015
Please contact us for the details of Test Set Up Definition



Temperature Table

	max. allowed current load [A] at ambient temperature (typical derating)						
	-40°C	0°C	20°C	65°C	85°C	110°C	125°C
100A	100	96	91	76	69	58	50
125A	125	115	108	90	80	67	58
150A	150	138	130	109	99	83	73
175A	167	151	142	120	108	92	80
200A	189	171	161	135	122	103	90
225A	200	180	170	143	129	109	94
250A	250	250	244	200	177	145	123
300A	225	225	225	201	181	153	133

Derating curves may change depending on the final condition of the application (terminals characteristics, wire size etc.).
Please ask Littelfuse for more information.

REV07212021

Littelfuse® products are not designed for, and shall not be used for, any purpose (including, without limitation, automotive, military, aerospace, medical, life-saving, life-sustaining or nuclear facility applications, devices intended for surgical implant into the body, or any other application in which the failure or lack of desired operation of the product may result in personal injury, death, or property damage) other than those expressly set forth in applicable Littelfuse® product documentation. Warranties granted by Littelfuse® shall be deemed void for products used for any purpose not expressly set forth in applicable Littelfuse® documentation. Littelfuse® shall not be liable for any claims or damages arising out of products used in applications not expressly intended by Littelfuse® as set forth in applicable Littelfuse® documentation. The sale and use of Littelfuse® products is subject to Littelfuse Terms and Conditions of Sale, unless otherwise agreed by Littelfuse®.