

LSCR SERIES HIGH-SPEED FUSE BLOCKS

700 Vac/dc • 1-800A



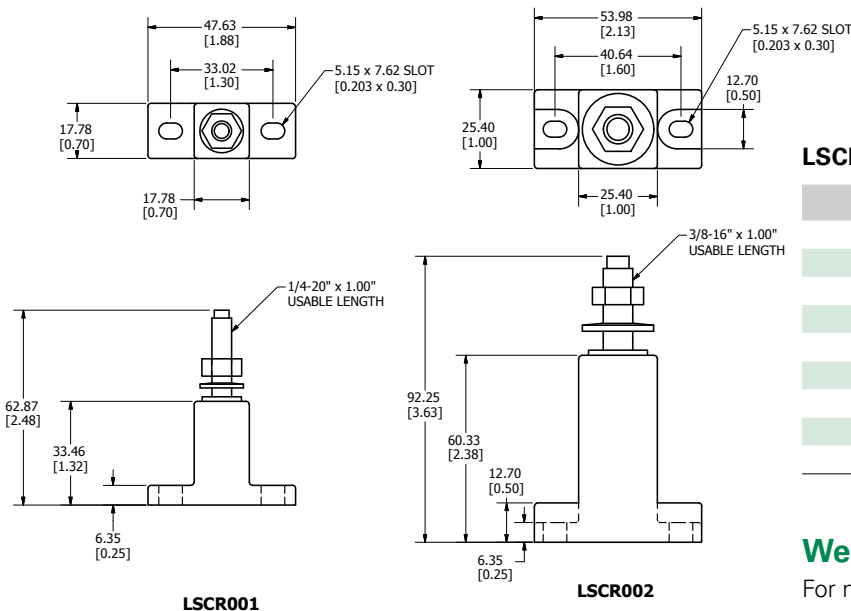
Description

The LSCR Series are modular fuse blocks designed to accommodate a wide range of High-Speed and Class T fuses.

Features/Benefits

- Modular design reduces inventory requirements
- Sold in pairs for convenience
- Constructed of molded phenolic (with plated steel studs)

Dimensions mm (inches)



Specifications

Voltage Rating	LSCR001: 700 V LSCR002: 700 V
Ampere Ratings	LSCR001: 1 – 400 A capacity LSCR002: 70 – 800 A capacity
Approvals	UL Recognized (File: E14721), CSA Certified (File: 73160)
Stud Size	LSCR001: 1/4 -20 thread (Torque 61 in-lbs) LSCR002: 3/8 -16 thread (Torque 192 in-lbs)
Material	Base: Molded phenolic. 150° C temperature rating Terminal Construction: Plated steel. Supplied with nut and belleville washer
Environmental	RoHS Compliant
Country of Origin	China

Recommended Fuses

High-Speed and Class T fuses. See tables below.

LSCR001 High-Speed Fuse Block Selection Guide

FUSE SERIES	AMPERE RATINGS
L15S	70-400
L17T	70-250
L25S	35-200
L50S	35-200
L60S	35-200
KLC	35-60
L70S	35-100
JLLN	70-200
JLLS	70-200

LSCR002 High-Speed Fuse Block Selection Guide

FUSE SERIES	AMPERE RATINGS
L15S	500-800
L17T	300-800
L25S	225-800
L50S	225-800
L60S	225-800
KLC	70-800
L70S	125-800
JLLN	225-800
JLLS	225-800

Web Resources

For more information, visit: littelfuse.com/lscr