

LED®



BI-COLOR / TRI-COLOR LEDs

T1 (3mm), T1^{3/4} (5mm), 2 & 3 LEADS, RED/YELLOW/GREEN

LEDTRONICS PART NO.	LED COLOR	Topr/ Tstg (see notes)	ABSOLUTE MAX. RATINGS Ta=25°C				ELECTRO-OPTICAL CHARACTERISTICS Ta=25°C							FIGURE
			Pd mW	Ifp mA	If mA	Vr V	If mA typ	Iv mcd min/typ	Vf typ/max	VIEW ANGLE	IrMAX µA	λ P nm		
T1 (3mm) BICOLOR, 2 LEADED RED/GREEN & YELLOW/GREEN														
L120TWRG4A	HI-EFF RED	1/2	100	120	30	5	20	3.5/7.0	2.0/2.8	50	100	635	1	
	GREEN		100	120	30	5	20	3.5/7.0	2.1/2.8	50	100	568		
L120TWRG4B	HI-EFF RED	1/2	80	120	30	5	20	3.0/6.0	2.0/2.8	120	100	635	2	
(HIGH DIFFUSE)	GREEN		100	120	30	5	20	3.0/6.0	2.1/2.8	120	100	568		
L120TWYG4B	YELLOW	1/2	100	120	30	5	20	3.5/7.0	2.1/2.8	120	100	585	2	
(HIGH DIFFUSE)	GREEN		90	120	30	5	20	3.0/6.0	2.1/2.8	120	100	568		
T1 (3mm) TRICOLOR, 3 LEADED, COMMON CATHODE														
L120TWRG3-3C	HI-EFF RED	1/2	75	100	30	4	20	5.0/10.0	2.0/2.8	70	100	635	3	
	GREEN		75	100	30	4	20	5.0/9.0	2.1/2.8	70	100	568		
T1 (3mm) TRICOLOR, 3 LEADED, 0.05" LEAD SPACING, COMMON CATHODE														
L120TWRG4-3C /05	HI-EFF RED	1/2	100	160	30	4	20	5.3/8.9	2.0/2.8	80	100	635	4	
	GREEN		100	160	30	4	20	2.0/3.5	2.1/2.8	80	100	565		
L120TWYG4-3C /05	YELLOW	1/2	85	160	20	4	20	4.3/6.3	2.0/2.8	80	100	585	4	
	GREEN		100	160	30	4	20	2.0/3.0	2.1/2.8	80	100	565		
L120TWRY4-3C /05	HI-EFF RED	1/2	100	160	30	4	20	12.7/19.2	2.0/2.8	80	100	635	4	
	YELLOW		85	160	20	4	20	8.0/12.0	2.0/2.8	80	100	585		
T1^{3/4} (5mm) BICOLOR FLANGELESS, 2 LEADED RED/GREEN														
LD190TWR4A	GREEN	1/2	100	120	30	5	20	4.0/12.0	2.1/2.8	60	100	568	5	
	ULTRA RED		100	200	40	4	20	11.0/38.0	1.8/2.4	60	100	660		
T1^{3/4} (5mm) BICOLOR, 2 LEADED RED/GREEN & YELLOW/GREEN														
L200TWRG3B	GREEN	1/2	100	120	30	5	20	3.0/6.0	2.1/2.8	40	100	568	6	
	Gap RED		50	50	15	5	20	1.5/3.0	2.0/2.8	40	100	700		
L200TWR4A	GREEN	1/2	100	120	30	5	20	4.0/12.0	2.1/2.8	50	100	568	6	
	ULTRA RED		100	200	40	4	20	11.0/38.0	1.8/2.4	50	100	660		
L200TWR4B	GREEN	1/2	100	120	30	5	20	3.0/6.0	2.1/2.8	40	100	568	6	
	HI-EFF RED		100	120	30	5	20	3.0/6.0	2.0/2.8	40	100	635		
L200TWYG4B	YELLOW	1/2	90	120	30	5	20	2.5/5.0	2.1/2.8	40	100	585	6	
	GREEN		100	120	30	5	20	3.0/6.0	2.1/2.8	40	100	568		
L200TWRPG5S	Gap RED	1/2	50	50	15	5	10	1.5/3.0	2.1/2.8	40	100	700	6	
	PURE GREEN		125	100	50	4	20	2.0/4.0	2.1/2.5	40	100	555		

Topr notes: 1.) -20°C TO +85°C 2.) -20°C TO +85°C
 Tstg notes: 1.) -20°C TO +85°C 2.) -20°C TO +85°C
 Jctn/Cath Temp. 145°C/Watt
 Lead Soldering Temp. 260°C max., 5 sec.
 1/16" (1.6mm) from body

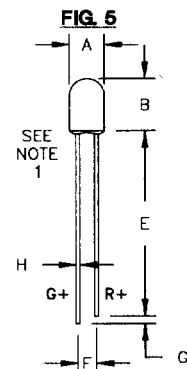
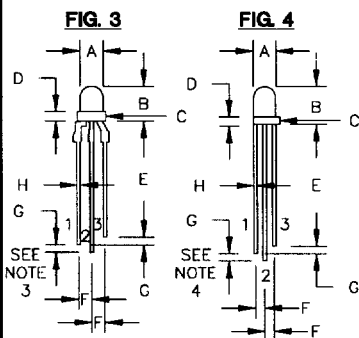
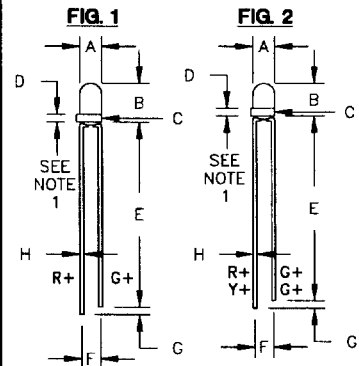


FIG	"A" (O.D.) (mm)	"B" (mm)	"C" DIA. (mm)	"D" (mm)	"E" TYP. (mm)	"F" (mm)	"G" NOM. (mm)	"H" SQ. (mm)
1	.118 3(mm)	.209 5.3(mm)	.134 3.4(mm)	.040 1(mm)	1.00 25.4(mm)	.100 2.5(mm)	.040 1(mm)	.020 0.5(mm)
2	.118 3(mm)	.175 4.4(mm)	.124 3.2(mm)	.040 1(mm)	1.00 25.4(mm)	.100 2.5(mm)	.040 1(mm)	.020 0.5(mm)
3	.122 3.1(mm)	.189 4.8(mm)	.150 3.8(mm)	.051 1.3(mm)	.630 16(mm)	.070 1.8(mm)	.040 1(mm)	.018 .046(mm)
4	.118 3(mm)	.205 5.2(mm)	.150 3.8(mm)	.040 1(mm)	.630 16(mm)	.050 1.3(mm)	.040 1(mm)	.020 .05(mm)
5	.187 4.8(mm)	.283 7.2(mm)			1.00 25.4(mm)	.100 2.5(mm)	.040 1(mm)	.020 0.5(mm)
6	.197 5(mm)	.340 8.6(mm)	.209 5.3(mm)	.040 1(mm)	1.00 25.4(mm)	.100 2.5(mm)	.040 1(mm)	.020 0.5(mm)

1. PROTRUDED RESIN UNDER FLANGE IS .059" (1.5mm).
2. LEAD SPACING IS MEASURED WHERE LEADS EMERGE FROM THE PACKAGE.
3. LEAD 1 = RED ANODE, LEAD 2 = COMMON CATHODE, LEAD 3 = GREEN ANODE.
4. L120TWRG 1=RED, 2=COMMON, 3=GREEN; L120TWYG 1=YELLOW, 2=COMMON, 3=GREEN
L120TWRY 1=RED, 2=COMMON, 3=YELLOW

BICOLOR PIN CALLOUTS

P/N	PIN 1	PIN 2
L200TWRG3B	G+	R+
L200TWR4A	G+	R+
L200TWR4B	G+	R+
L200TWYG4B	Y+	G+
L200TWRPG5S	R+	G+

